

**Additional information for hazardous areas (Ex i)
Models TR12 and TC12**

EN

**Zusatzinformation für explosionsgefährdete Bereiche (Ex i)
Typen TR12 und TC12**

DE

**Informations complémentaires concernant les zones explosives
(Ex i), types TR12 et TC12**

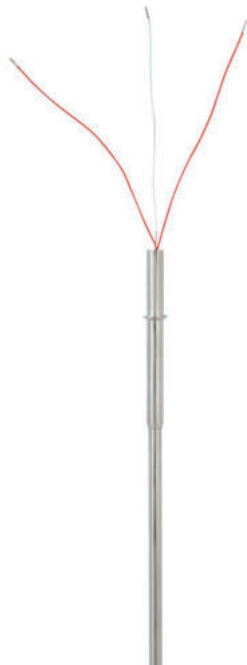
FR

**Información adicional para zonas potencialmente explosivas (Ex i)
Modelos TR12 y TC12**

ES



TÜV 10 ATEX 555793X
IECEX TUN 10.0002X



Models TR12-A, TC12-A



Models TR12-B, TC12-B



Models TR12-M, TC12-M

EN	Operating instructions models TR12, TC12 (Ex i)	Page	3 - 24
DE	Betriebsanleitung Typen TR12, TC12 (Ex i)	Seite	25 - 46
FR	Mode d'emploi types TR12, TC12 (Ex i)	Page	47 - 68
ES	Manual de instrucciones modelos TR12, TC12 (Ex i)	Página	69 - 89

© 12/2018 WIKA Alexander Wiegand SE & Co. KG
 All rights reserved. / Alle Rechte vorbehalten.
 WIKA® is a registered trademark in various countries.
 WIKA® ist eine geschützte Marke in verschiedenen Ländern.

Prior to starting any work, read the operating instructions!
 Keep for later use!

Vor Beginn aller Arbeiten Betriebsanleitung lesen!
 Zum späteren Gebrauch aufbewahren!

Lire le mode d'emploi avant de commencer toute opération !
 A conserver pour une utilisation ultérieure !

¡Leer el manual de instrucciones antes de comenzar cualquier trabajo!
 ¡Guardar el manual para una eventual consulta!

Contents

1. Ex marking	4
2. Safety	6
3. Commissioning, operation	8
4. Special conditions for use (X conditions)	18
5. Calculation examples for self-heating at the thermowell tip	20
Appendix: EU declaration of conformity	23

Declarations of conformity can be found online at www.wika.com.

1. Ex marking

Supplementary documentation:

- ▶ This additional information for hazardous areas applies in conjunction with the operating instructions “Resistance thermometer TR12 and thermocouple TC12” (article number 14064370).

EN

1. Ex marking



DANGER!

Danger to life due to loss of explosion protection

Non-observance of these instructions and their contents may result in the loss of explosion protection.

- ▶ Observe the safety instructions in this chapter and further explosion instructions in these operating instructions.
- ▶ Follow the requirements of the ATEX directive.
- ▶ Observe the information given in the applicable type examination certificate and the relevant regulations for installation and use in hazardous areas (e.g. IEC 60079-11, IEC 60079-10 and IEC 60079-14).

Check whether the classification is suitable for the application. Observe the relevant national regulations.

ATEX

IECEx

II 1G	Ex ia IIC T1 ... T6 Ga
II 1/2G	Ex ia IIC T1 ... T6 Ga/Gb
II 2G	Ex ia IIC T1 ... T6 Gb
II 1D	Ex ia IIIC T1 ... T6 Da
II 1/2D	Ex ia IIIC T1 ... T6 Da/Db
II 2D	Ex ia IIIC T1 ... T6 Db

1. Ex marking

For applications without transmitters (digital displays) that require group II instruments (potentially explosive gas atmospheres), the following temperature class classification and ambient temperature ranges apply:

Table 1

Marking		Temperature class	Ambient temperature range (T_a)	Max. surface temperature (T_{max}) at the probe or thermowell tip
ATEX	IECEx			
II 1G	Ex ia IIC T1 ... T6 Ga	T1 ... T6	(-50) ¹⁾ -40 ... +80 °C	T_M (medium temperature) + self-heating For this, the special conditions must be observed (see chapter 4 „Special conditions for use (X conditions)“).
II 1/2G	Ex ia IIC T1 ... T6 Ga/Gb			
II 2G	Ex ia IIC T1 ... T6 Gb			

For applications requiring instruments of equipment group II (potentially explosive dust atmospheres), the following surface temperatures and ambient temperature ranges apply:

Table 2

Marking		Power P_i	Ambient temperature range (T_a)	Max. surface temperature (T_{max}) at the probe or thermowell tip
ATEX	IECEx			
II 1D	Ex ia IIIC T1 ... T6 Da	750 mW	(-50) ¹⁾ -40 ... +40 °C	T_M (medium temperature) + self-heating For this, the special conditions must be observed (see chapter 4 “Special conditions for use (X conditions)“).
II 1/2D	Ex ia IIIC T1 ... T6 Da/Db			
II 2D	Ex ia IIIC T1 ... T6 Db			
II 1D	Ex ia IIIC T1 ... T6 Da	650 mW	(-50) ¹⁾ -40 ... +70 °C	T_M (medium temperature) + self-heating For this, the special conditions must be observed (see chapter 4 “Special conditions for use (X conditions)“).
II 1/2D	Ex ia IIIC T1 ... T6 Da/Db			
II 2D	Ex ia IIIC T1 ... T6 Db			
II 1D	Ex ia IIIC T1 ... T6 Da	550 mW	(-50) ¹⁾ -40 ... +80 °C	T_M (medium temperature) + self-heating For this, the special conditions must be observed (see chapter 4 “Special conditions for use (X conditions)“).
II 1/2D	Ex ia IIIC T1 ... T6 Da/Db			
II 2D	Ex ia IIIC T1 ... T6 Db			

When there is a built-in transmitter and/or a digital display, the special conditions from the type examination certificate (see chapter 4 „Special conditions for use (X conditions)“) apply.

1) The values in brackets apply to special designs. These probes are manufactured using special sealing compounds. Moreover, they feature cases made of stainless steel and cable glands for low-temperature ranges.

Use in methane atmospheres

Due to the higher minimum ignition current of methane, the instruments can also be used where methane causes a potentially explosive gas atmosphere. The instrument can optionally be marked with IIC + CH₄.

EN

For applications that require EPL Gb or Db, the instruments marked with "ia" can also be used in type "ib" measuring circuits.

2. Safety

2.1 Explanation of symbols



DANGER!

... indicates a potentially dangerous situation in the hazardous area that can result in serious injury or death, if not avoided.

2.2 Intended use

The thermometers described here are suitable for temperature measurement in hazardous areas.

The non-observance of the instructions for use in hazardous areas can lead to the loss of the explosion protection. Adhere to the following limit values and instructions (see data sheet).

2.3 Responsibility of the operator

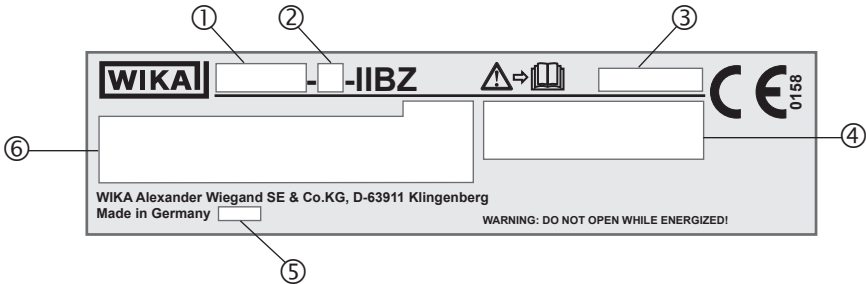
The responsibility for classification of zones lies with the plant operator and not the manufacturer/supplier of the equipment.

2.4 Personnel qualification

The skilled electrical personnel must have knowledge of ignition protection types, regulations and provisions for equipment in hazardous areas.

2.5 Labelling, safety marks

Product label (example)






- ① Model
- ② A = measuring insert
B = process thermometer
M = basic module
- ③ Serial number
- ④ Approval-related data
- ⑤ Year of manufacture
- ⑥ ■ Information on version (measuring element, measuring range...)

Sensor in accordance with standard (resistance thermometer)

- F = Thin-film measuring resistor
- W = Wire-wound measuring resistor

Sensor in accordance with standard (thermocouple)

- ungrounded  = ungrounded welded
- grounded  = welded to the sheath (grounded)
- quasi grounded  = The thermometer is, due to its low insulation clearances between resistance sensor and sheath, to be considered as grounded.

- Transmitter model (only for design with transmitter)



Before mounting and commissioning the instrument, ensure you read the operating instructions!

3. Commissioning, operation

3. Commissioning, operation



DANGER!

Danger to life from explosion

By using a measuring insert without a suitable connection head (case), an explosion risk occurs which can cause fatalities.

- ▶ Only use the measuring insert in the connection head designed for it.



DANGER!

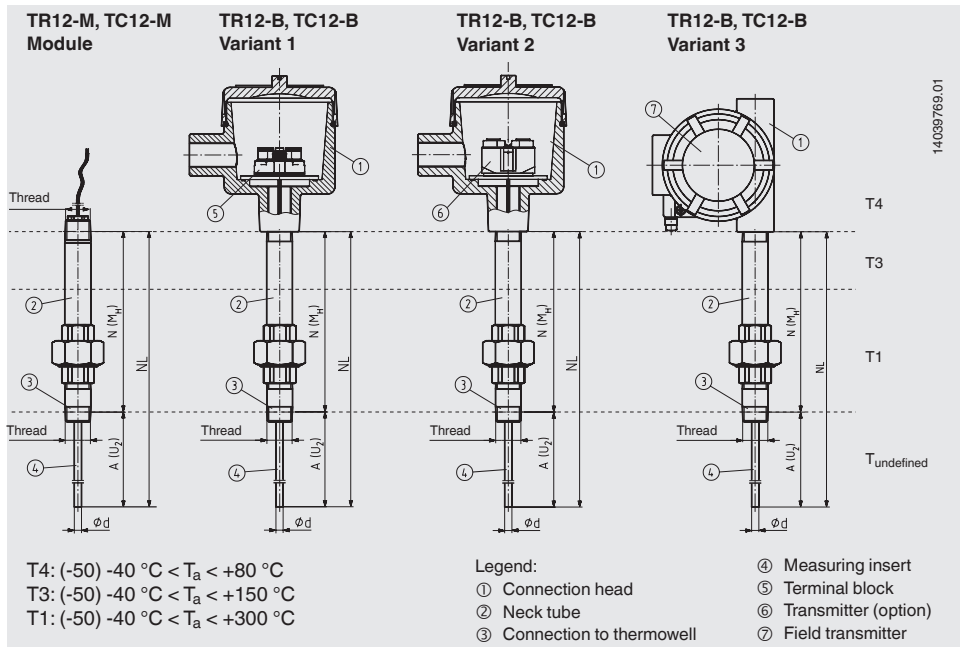
Danger to life from missing instrument grounding

With missing or incorrect grounding, there exists a risk of dangerous voltages (leading to, for example, mechanical damage, electrostatic charge or induction).

- ▶ Ground thermometer!

Observe the special conditions (see chapter 4 “Special conditions for use (X conditions)”, point 2).

3.1 Safety-related instructions for the different variants



141039769.01

14280102.01 12/2018 EN/DE/FR/ES

3.1.1 Variant 1

The thermometer is fitted with a certified enclosure in which the terminal block is fitted. If the thermometer is marked with II 2G Ex ia IIC T1 ... T6 Gb, then it is designed for use in zone 1. If the thermometer is marked with II 1/2G Ex ia IIC T1 ... T6 Ga/Gb, then it is designed for use with a thermowell at the partition to zone 0.

► ATEX/IECEx case or connection head (with connection terminals, without transmitter)
Evaluation of the resistance or the thermoelectric potential between electronics outside of the hazardous area.

Use in zone 1, marking II 2G Ex ia IIC T1 ... T6 Gb

The case or the connection head is in zone 1 (or zone 2). The sensor is located in zone 1.

Use at the partition to zone 0, marking II 1/2G Ex ia IIC T1 ... T6 Ga/Gb

The case or the connection head is in zone 1 (or zone 2). The sensor is within a thermowell (min. wall thickness 1 mm) which extends into zone 0 via a process connection.

Powering with Ex ia electric circuit fulfills these conditions. The responsibility rests with the operator.

The permissible ambient temperatures for third-party products can be seen from the relevant approvals or data sheets.

A heating in the connection head does not occur with variant 1. However, an impermissible heat reflux from the process which can exceed the operating temperature of the case or the temperature class, must be prevented through suitable heat insulation or a suitably long neck tube.

3. Commissioning, operation

3.1.2 Variant 2

The thermometer is built into a certified enclosure, in which an electronic assembly has been fitted. If the thermometer is marked with II 2G Ex ia IIC T1 ... T6 Gb, then it is designed for use in zone 1. If the thermometer is marked with II 1/2G Ex ia IIC T1 ... T6 Ga/Gb, then it is designed for use with a thermowell at the partition to zone 0.

► ATEX/IECEx Ex ia case or connection head with built-in head-mounted transmitter
The evaluation is made via a current (4 ... 20 mA), voltage (0 ... 10 V) or fieldbus signal, which is generated from a head-mounted transmitter.

Use in zone 1, marking II 2G Ex ia IIC T1 ... T6 Gb

The case or the connection head is in zone 1 (or zone 2). The sensor is located in zone 1.

Use at the partition to zone 0, marking II 1/2G Ex ia IIC T1 ... T6 Ga/Gb

The case or the connection head is in zone 1 (or zone 2). The sensor is within a thermowell (min. wall thickness 1 mm) which extends into zone 0 via a process connection. The thermometer should be operated with a power-limiting circuit.

P_{\max} : 1.5 W

U_{\max} : 30 V

Powering with Ex ia electric circuit fulfills these conditions. The responsibility rests with the operator.

A heating in the connection head can occur with variant 2 through faulty electronics. The permissible ambient temperatures depend on the case used and any additionally fitted head-mounted transmitter.

However, an impermissible heat reflux from the process which can exceed the operating temperature of the case or the temperature class, must be prevented through suitable heat insulation or a suitably long neck tube.

3.1.3 Variant 3

The thermometer is fitted to certified equipment (transmitter). The thermometer is marked with II 2G Ex ia IIC Tx Gb and is designed for use in zone 1 with a thermowell. For any potential usage at the partition to zone 0 with a thermowell, the approvals and conditions of the relevant transmitters must be considered.

► ATEX/IECEX Ex i certified temperature transmitters

The evaluation is carried out via a current (4 ... 20 mA), voltage (0 ... 10 V) or fieldbus signal, which is generated by an ATEX/IECEX Ex i certified temperature transmitter.

Use in zone 1, marking II 2G Ex ia IIC Gb

The case or the connection head is in zone 1 (or zone 2). The sensor is located in zone 1.

The main marking for models TR12-B and TC12-B are found on the certified connection housing or Ex i field transmitter.

The TR12-M and TC12-M modules are marked through a foil plate on the neck tube.

For a possible use at the partition to zone 0 with a thermowell, the approvals and conditions of the relevant Ex i field transmitters must be followed.

3.1.4 Use in methane atmospheres

As a result of the higher Minimum Experimental Safe Gap (MESG) and Minimum Ignition Current (MIC) of methane, the instruments can also be used in potentially explosive gas atmospheres caused by this.

U_i = see third-party transmitter approval

I_i = see third-party transmitter approval

P_i = see third-party transmitter approval

L_i = see third-party transmitter approval

C_i = see third-party transmitter approval

3. Commissioning, operation

3.2 Electrical mounting

Using a transmitter/digital display (option):

Observe the contents of the operating instructions for the transmitter/digital display (see scope of delivery).

Built-in transmitters/digital displays have their own EC-type examination certificate. The permissible ambient temperature ranges of built-in transmitters can be taken from the corresponding transmitter approval.

Observe the special conditions (see chapter 4 "Special conditions for use (X conditions)", point 3).

Electrical connection values

■ Electrical data without built-in transmitter or digital display

Parameters	Instrument group II
	Potentially explosive gas atmosphere ³⁾
Voltage U_i	DC 30 V
Current I_i	550 mA
Power P_i (at the sensor)	1.5 W ¹⁾
Effective internal capacitance, C_i , of standard measuring inserts in accordance with DIN 43735	Negligible
Effective internal inductance, L_i , of standard measuring inserts in accordance with DIN 43735	Negligible

1) The permissible power to the sensor depends on the temperature of the medium T_M , the temperature class and the thermal resistance R_{th} , but shall not be more than 1.5 W.
Calculation examples see chapter 5 "Calculation examples for self-heating at the thermowell tip".

2) The permissible power to the sensor depends on the temperature of the medium T_M , the maximum allowed surface temperature and the thermal resistance R_{th} , but shall not be more than the values from "Table 2" (column 2), chapter 1 "Ex marking".

3) Use in methane atmospheres

Owing to the higher minimum ignition energy of methane, the instruments can also be used where methane causes a potentially explosive gas atmosphere.

■ Electrical data with built-in transmitter or digital display

U_i = depending on the transmitter/digital display

I_i = depending on the transmitter/digital display

P_i = in the case: depending on the transmitter/digital display

C_i = depending on the transmitter/digital display

L_i = depending on the transmitter/digital display

- Electrical data with built-in transmitter in accordance with the FISCO model
The transmitters/digital displays used for the application range in accordance with the FISCO model are considered FISCO field instruments. The requirements in accordance with IEC/EN 60079-27, and the connection conditions of the approvals in accordance with FISCO, apply.

3.3 Temperature class classification, ambient temperatures

The permissible ambient temperatures depend on the temperature class, the case used and the optional built-in transmitter and/or digital display.

When a thermometer is connected to a transmitter and/or a digital display, the lowest value of either the ambient temperature limits or the highest temperature class will apply. The lower temperature limit is -40 °C; and -50 °C for special designs.

Where there are neither transmitters nor digital displays mounted within the case, there will also be no additional warming. With a built-in transmitter (optionally with digital display), heating caused by operating the transmitter or digital display may occur.

For applications without transmitters (digital displays) that require group II instruments (potentially explosive gas atmospheres), the following temperature class classification and ambient temperature ranges apply:

Temperature class	Ambient temperature range (T_a)
T1 ... T6	(-50) -40 ... +80 °C

The permissible ambient temperatures and surface temperatures for third-party products can be seen from the relevant approvals and/or data sheets and must be observed.

Example

For instruments fitted with a DIH50 transmitter and digital display, for example, the following limit for temperature class classification applies:

Temperature class	Ambient temperature range (T_a)
T6	-40 ... +55 °C

The permissible ambient temperatures and surface temperatures for third-party products can be seen from the relevant approvals and/or data sheets and must be observed.

The values in brackets apply to special designs. These probes are manufactured using special sealing compounds. Moreover, they feature connection heads made of stainless steel and cable glands for low-temperature ranges.

According to approval, these thermometers are suitable for the temperature classes T1 ... T6. This applies for instruments with or without built-in transmitters and/or digital displays. Make sure the maximal ambient temperature for the safe use of the instrument is not exceeded.

3. Commissioning, operation

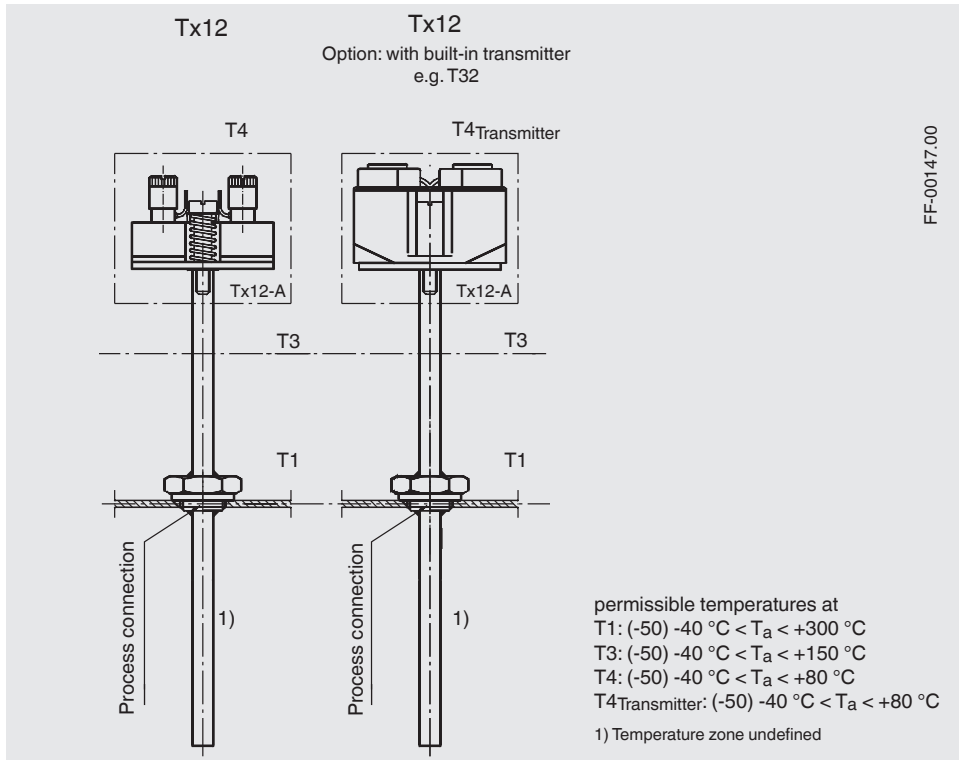
3.4 Temperature carry-over from the process

Prevent any heat reflux from the process!

Observe the special conditions (see chapter 4 “Special conditions for use (X conditions)”, point 4).

EN

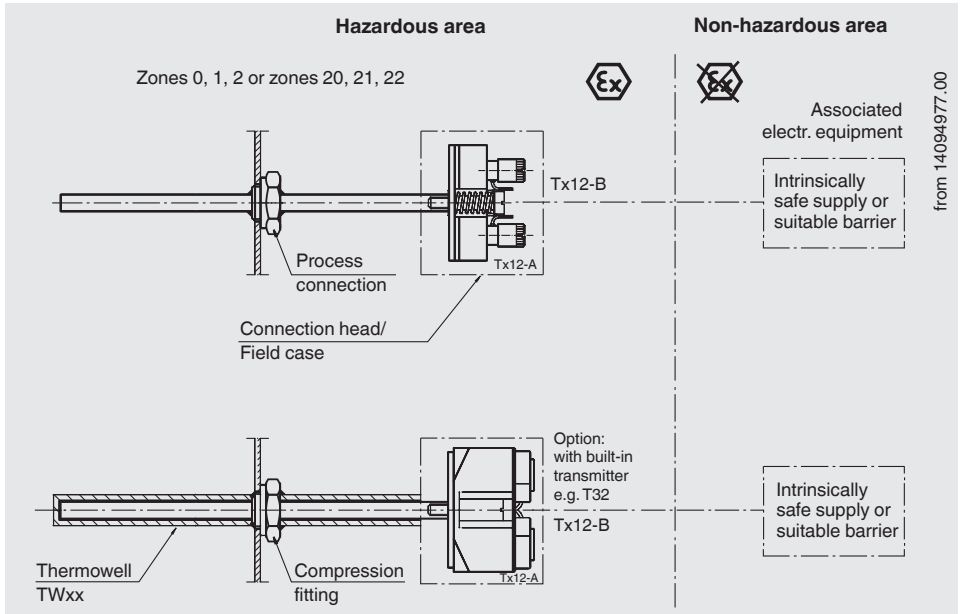
3.5 Overview of the temperature zones



3. Commissioning, operation

3.6 Mounting examples

3.6.1 Possible installation methods with the marking II 1G Ex ia IIC T6 Ga or II 1D Ex ia IIIC T65 °C Da



The probe together with case or connection head is located in zone 0 (zone 20). An Ex ia type current circuit must be used. Connection heads/cases made of aluminium are usually not permitted in zone 0. At this position, WIKA recommends connection heads/cases made of stainless steel.

Protective measures for applications that require EPL Ga or Da:

For the case where a light metal case is used in zone 0, the following protective measures apply:

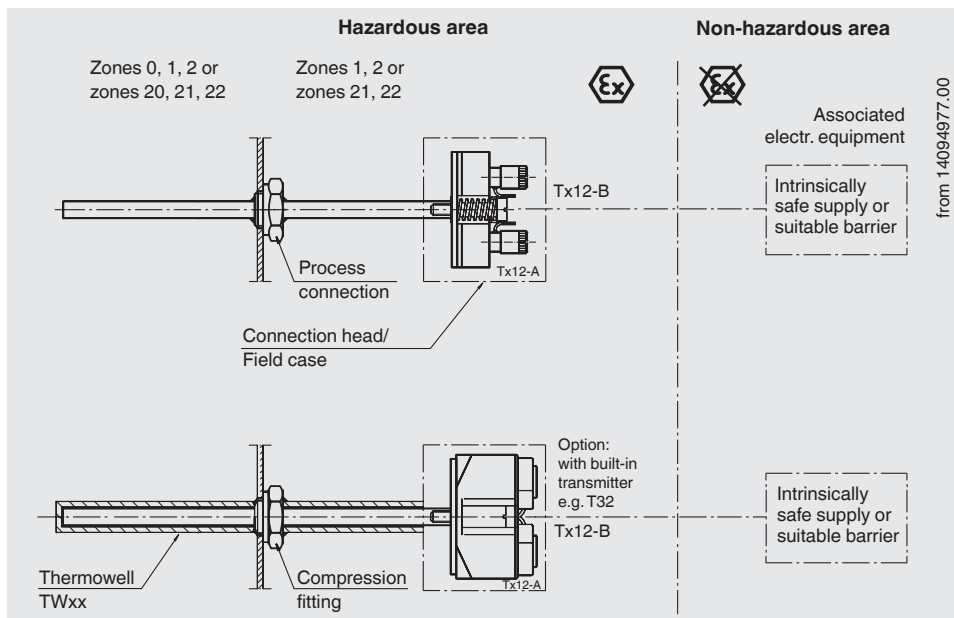
Operationally based friction or impacts between light metal instrument components or their alloys (e.g. aluminium, magnesium, titanium or zirconium) and instrument components from iron/steel, are not permitted. Operationally based friction or impacts between light metals are permitted.

Observe the special conditions (see chapter 4 “Special conditions for use (X conditions)”, points 5 and 7).

3. Commissioning, operation

3.6.2 Possible installation methods with the marking

II 1/2G Ex ia IIC T1 ... T6 Ga/Gb or II 1/2D Ex ia IIIC T65 ... T125 °C Da/Db



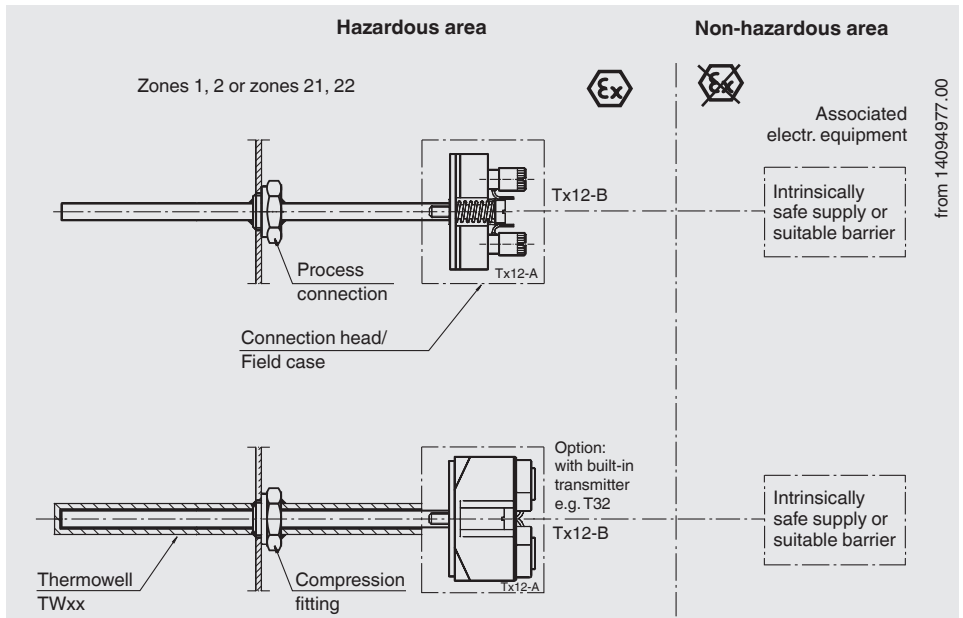
The probe or thermowell tip protrudes into zone 0. The case or connection head is in zone 1 (zone 21) or zone 2 (zone 22). It is sufficient to use an Ex ib type circuit. Zone separation is guaranteed if sufficiently sealed (IP66 or IP67) process connections are used.

Examples of suitable process connections include gas-tight standardised industrial flanges, threaded connections or pipe connections.

The process connections, thermowells or cases used must be designed such that they withstand all influencing variables resulting from the process, such as temperature, flow forces, pressure, corrosion, vibration and impacts.

3. Commissioning, operation

3.6.3 Possible installation methods with the marking II 2G Ex ia IIC T1 ... T6 Gb or II 2D Ex ia IIIC T65 °C ... T125 °C Db



3.6.4 Partition for use in zone 0 or zone 1/2 or separation between hazardous area and non-hazardous area


If the wall thickness is less than 1 mm, the instrument must also be marked with an “X” or a safety instruction in accordance with 29.2 of IEC/EN 60079-0, with the special proviso that for safe use it must not be subjected to ambient stresses that may have an adverse effect on the partition. If the partition is continuously subjected to vibrations (e.g. vibrating diaphragms), its fatigue limit at the maximum amplitude must be stated in the documentation (see section 4.2.5.2, IEC/EN 60079-26).

Observe the special conditions (see chapter 4 “Special conditions for use (X conditions)”, point 5).

Alternatively, a thermowell of suitable minimum wall thickness may be used by the customer. For this, the special conditions must be observed (see chapter 4 “Special conditions for use (X conditions)”, point 6).

4. Special conditions for use (X conditions)

4. Special conditions for use (X conditions)

- EN
- 1) Versions with $\varnothing < 3$ mm or “grounded measuring points” do not comply to clause 6.3.13 of IEC/EN 60079-11 because of the kind of use. By that from a safety-related view this intrinsically safe circuits shall be considered as galvanically connected (“quasi grounded” ) to ground potential. Potential equalisation shall exist in the complete course of the erection of the intrinsically safe circuits. Furthermore, for the connection the requirements of IEC/EN 60079-14 shall be considered.
 - 2) For instruments that do not comply to the electrostatic requirements of IEC/EN 60079-0 and IEC/EN 60079-26 due to their construction, electrostatic charging shall be avoided.
 - 3) The used transmitters/digital displays shall be provided with their own EC-type examination certificate in accordance with IEC. The installation conditions, electrical connection values, temperature classes resp. the maximum surface temperatures of instruments for the use in explosive dust atmospheres and the permissible ambient temperature shall be taken from the corresponding EC-type examination certificates and shall be considered.
 - 4) A reverse heat flow from the process exceeding the permissible ambient temperature of the transmitter, digital display or enclosure is not allowed and shall be avoided by a suitable thermal insulation or a suitable neck length of the tubing.
 - 5) In case of a wall thickness less than 1 mm, the instrument may not be exposed to environmental conditions which may negatively affect the partition wall. A thermowell with a suitable minimum wall thickness can be used alternatively.
 - 6) Using a thermowell/neck tube the instrument shall be constructed in a way that allows an installation that results in a sufficiently tight joint (IP66 or IP67) or a flameproof joint (IEC/EN 60079-1) in the direction of the less endangered area.
 - 7) *Not relevant for this instrument (see X conditions in EC-type examination certificate)*
 - 8) For the use of enclosures they shall either be provided with their own EC-type examination certificate or they shall comply to the minimum requirements.
IP protection: At least IP20 (at least IP6x for dust), applies to all enclosures.
Light metal enclosures, however, shall comply with clause 8.3 and 8.4 of IEC/EN 60079-0. Non-metallic enclosures or powder-coated enclosures shall also comply with 7.4 of IEC/EN 60079-0 or have a corresponding warning marking.

4. Special conditions for use (X conditions)

- 9) Accessible parts of metallic enclosures which are not connected to ground and accessible parts of metallic enclosures which are connected to ground but do not comply to clause 6.5 of IEC/EN 60079-11, shall comply with clause 7.5 of IEC/EN 60079-0 or have a corresponding warning marking.
- 10) In case it is impracticable to include the ambient temperature range within the marking of the instrument, because the instrument is a small instrument according to 29.10 of IEC/EN 60079-0, the ambient temperature range shall be specified in the supplied manual. If the instrument is not a small instrument according to 29.10 of IEC/EN 60079-0 and the ambient temperature range is not included within the marking, the marking shall additionally include an advisory marking referring to the supplied manual.

Protective measures for applications that require EPL Ga or Da:

Operationally based friction or impacts between light metal instrument components or their alloys (e.g. aluminium, magnesium, titanium or zirconium) and instrument components from iron/steel, are not permitted. Operationally based friction or impacts between light metals are permitted.

5. Calculation examples for self-heating at the thermowell tip

5. Calculation examples for self-heating at the thermowell tip

The self-heating at the thermowell tip depends upon the sensor type (TC/RTD), the measuring insert diameter and the thermowell design. The table below shows the possible combinations. The heating at the sensor tip of the bare measuring insert is clearly higher; the representation of these values was omitted on the grounds of the required assembly with a thermowell.

The table shows that when a failure occurs, thermocouples produce much less self-heating than resistance thermometers.

Thermal resistance [R_{th} in K/W]

Sensor type	RTD		TC	
	3.0 - < 6.0	6.0 - ≤ 8.0	3.0 - < 6.0	6.0 - ≤ 8.0
Measuring insert diameter				
With fabricated thermowell (straight and tapered), e.g. TW35, TW40 etc.	60	37	11	2.5
With thermowell - solid-body material (straight and tapered), e.g. TW10, TW15, TW20, TW25, TW30 etc.	22	16	4	1
Built into a blind bore (minimum wall thickness 5 mm)	22	16	4	1

5.1 Example calculation for variant 2 with TC sensor

Under the same conditions it gives a lower value for the self-heating, since the supplied power is not only converted at the probe tip, but rather over the entire length of the measuring insert.

Thermal resistance [R_{th} in K/W] from table = 3 K/W

Self-heating: $0.8 \text{ W} * 3 \text{ K/W} = 2.4 \text{ K}$

$T_{max} = T_M + \text{self-heating: } 150 \text{ °C} + 2.4 \text{ °C} = 152.4 \text{ °C}$

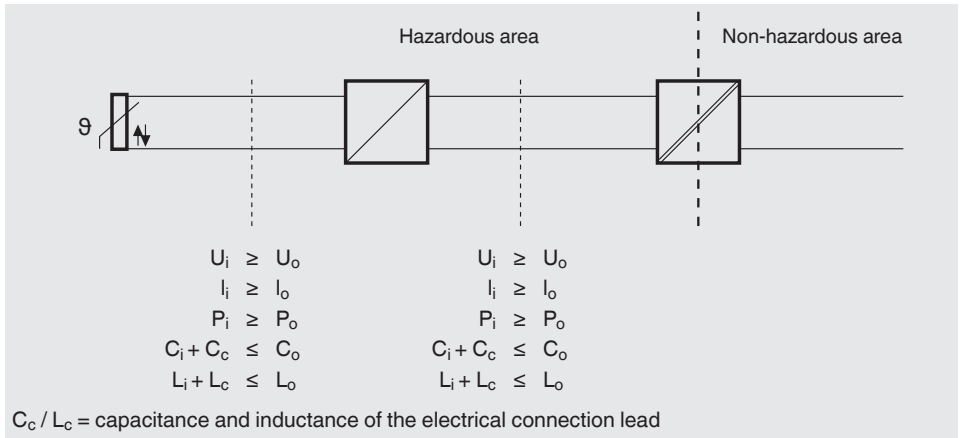
As a safety margin for type-tested instruments (for T6 to T3), an additional 5 °C must be subtracted from the 200 °C; hence 195 °C would be permissible. This means that in this case temperature class T3 is not exceeded.

In this example it is clear that the self-heating here is almost negligible.

5. Calculation examples for self-heating at the thermowell tip

5.2 Proof of intrinsic safety

Sensor with transmitter and barrier



EN

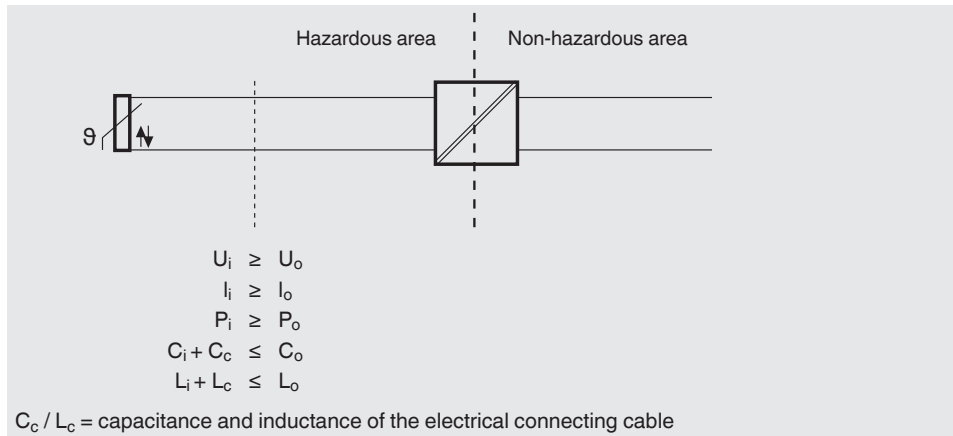
Simplified verification of intrinsic safety for the above-mentioned combination

Measuring insert		Head-mounted transmitter		Isolated barrier
U_i : DC 30 V	≥	U_o : DC 6.5 V	U_i : DC 30 V	≥ U_o : DC 25.4 V
I_i : 550 mA	≥	I_o : 9.3 mA	I_i : 130 mA	≥ I_o : 88.2 mA
P_i (max) at the sensor = 1.5 W	≥	P_o : 15.2 mW	P_i : 800 mW	≥ P_o : 560 mW
C_i : negligible	≤	C_o : 24 μF	C_i : 7.8 nF	≤ C_o : 93 nF
L_i : negligible	≤	L_o : 365 mH	L_i : 100 μH	≤ L_o : 2.7 mH

Upon comparing the values, it is obvious that it is permissible to connect these instruments to one another. However, the operator must also take into account the values for inductance and capacitance of the electrical connection leads.

5. Calculation examples for self-heating at the thermowell tip

Sensor without transmitter, with barrier



Simplified verification of intrinsic safety for the above-mentioned combination

Measuring insert		Zener barrier Z954	
U_i : DC 30 V	\geq	U_o : DC 9 V	U_m : AC 250 V
I_i : 550 mA	\geq	I_o : 510 mA	I_i : n/a
P_i (max) at the sensor = 1.5 W	\geq	P_o : 1,150 mW	P_i : n/a
C_i : negligible	\leq	C_o : 4.9 μ F	C_i : n/a
L_i : negligible	\leq	L_o : 0.12 mH	L_i : n/a

n/a = not applicable

Upon comparing the values, it is obvious that it is permissible to connect these instruments to one another. However, the operator must also take into account the values for inductance and capacitance of the electrical connection leads.

These calculations apply to the Z954 Zener barrier in connection with a resistance thermometer Pt100 in 3-channel mode without grounding, i.e., symmetrical operation of the resistance thermometer in 3-wire circuit on a display or evaluation instrument.



EU-Konformitätserklärung EU Declaration of Conformity

Dokument Nr.: 14031790.04
Document No.:




Wir erklären in alleiniger Verantwortung, dass die mit CE gekennzeichneten Produkte
We declare under our sole responsibility that the CE marked products

Typenbezeichnung: TR12-B-ZZ⁽¹⁾, TC12-B-ZZ⁽¹⁾
Type Designation: TR12-B-^aI⁽¹⁾, (2), (4), TR12-M-^aI⁽¹⁾, (2), (4), TC12-B-^aI⁽¹⁾, (2), (4), TC12-M-^aI⁽¹⁾, (2), (4)
TR12-B-^aD⁽¹⁾, (3), TR12-M-^aD⁽¹⁾, (3), TC12-B-^aD⁽¹⁾, (3), TC12-M-^aD⁽¹⁾, (3)

Beschreibung: Prozessthermometer Typ TR12 und TC12 zum Einbau in ein Schutzrohr
Description: Process thermometer model TR12 and TC12 for additional thermowell

gemäß gültigem Datenblatt:
according to the valid data sheet: TE 60.17, TE 65.17

die wesentlichen Schutzanforderungen der folgenden Richtlinien erfüllen:
comply with the essential protection requirements of the directives: Harmonisierte Normen:
Harmonized standards:

2011/65/EU	Gefährliche Stoffe (RoHS) Hazardous substances (RoHS)	EN 50581:2012
2014/30/EU	Elektromagnetische Verträglichkeit (EMV) ⁽¹⁾ Electromagnetic Compatibility (EMC) ⁽¹⁾	
2014/34/EU	Explosionsschutz (ATEX) ^{(2), (3), (4)} Explosion protection (ATEX) ^{(2), (3), (4)}	
	II 1G Ex ia IIC T1, T2, T3, T4, T5, T6 Ga or II 1/2G Ex ia IIC T1, T2, T3, T4, T5, T6 Ga/Gb or II 2G Ex ia IIC T1, T2, T3, T4, T5, T6 Gb or II 2G Ex ib IIC T1, T2, T3, T4, T5, T6 Gb	⁽²⁾ EN 60079-0:2012 +A11:2013 EN 60079-11:2012 EN 60079-26:2015
	II 2G Ex db IIC T6-T1 Gb or II 1/2G Ex db IIC T6-T1 Ga/Gb or II 2G Ex db IIC Gb	⁽³⁾ EN 60079-0:2012 +A11:2013 EN 60079-1:2014 EN 60079-26:2015
	II 3G Ex ic IIC T1, T2 T3, T4, T5, T6 Gc	⁽⁴⁾ EN 60079-0:2012 +A11:2013 EN 60079-11:2012

- (1) Für optional eingebaute Transmitter oder Anzeigen gelten deren EU-Konformitätserklärungen und die darin gelisteten Normen
For optional built-in transmitters and indicators their respective EU declarations of conformity and the therein listed standards apply
- (2) EG-Baumusterprüfbescheinigung TÜV 10 ATEX 555793 X von TÜV NORD CERT GmbH, D-45141 Essen (Reg.-Nr. 0044)
EC type-examination certificate TÜV 10 ATEX 555793 X of TÜV NORD CERT GmbH, D-45141 Essen (Reg. no. 0044)
- (3) EU-Baumusterprüfbescheinigung BVS 07 ATEX E 071 X von DEKRA EXAM GmbH, D-44809 Bochum (Reg. Nr. 0158)
EU type examination certificate BVS 07 ATEX E 071 X of DEKRA EXAM GmbH, D-44809 Bochum (Reg. No. 0158)
- (4) Modul A, interne Fertigungskontrolle
Module A, internal control of production

Unterszeichnet für und im Namen von / Signed for and on behalf of

WIKAL Alexander Wiegand SE & Co. KG

Klingenberg, 2017-07-11


Stefan Heidinger, Vice President
Electrical Temperature Measurement


Franz-Josef Vogel, Executive Vice President
Process Instrumentation

WIKAL Alexander Wiegand SE & Co. KG
Alexander-Wiegand-Straße 30
63911 Klingenberg
Germany

Tel. +49 9372 132-0
Fax +49 9372 132-406
E-Mail: info@wika.de
www.wika.de

Kommanditgesellschaft: Sitz Klingenberg –
Amtsgericht Aschaffenburg HRA 1819
Komplementär: WIKAL Verwaltung SE & Co. KG –
Sitz Klingenberg – Amtsgericht Aschaffenburg
HRA 4685

Komplementärin:
WIKAL International SE - Sitz Klingenberg -
Amtsgericht Aschaffenburg HRB 10506
Vorstand: Alexander Wiegand
Vorsitzender des Aufsichtsrats: Dr. Max Egl



Inhalt

1. Ex-Kennzeichnung	26
2. Sicherheit	28
3. Inbetriebnahme, Betrieb	30
4. Besondere Bedingungen für die Verwendung (X-Conditions)	40
5. Berechnungsbeispiele für die Eigenerwärmung an der Schutzrohrspitze	42
Anlage: EU-Konformitätserklärung	45

Konformitätserklärungen finden Sie online unter www.wika.de.

1. Ex-Kennzeichnung

Ergänzende Dokumentation:

- ▶ Diese Zusatzinformation für explosionsgefährdete Bereiche gilt im Zusammenhang mit der Betriebsanleitung „Widerstandsthermometer TR12 und Thermoelement TC12“ (Artikelnummer 14064370).

DE

1. Ex-Kennzeichnung



GEFAHR!

Lebensgefahr durch Verlust des Explosionsschutzes

Die Nichtbeachtung dieser Inhalte und Anweisungen kann zum Verlust des Explosionsschutzes führen.

- ▶ Sicherheitshinweise in diesem Kapitel sowie weitere Explosionshinweise in dieser Betriebsanleitung beachten.
- ▶ Die Anforderungen der ATEX-Richtlinie beachten.
- ▶ Die Angaben der geltenden Baumusterprüfbescheinigung sowie die jeweiligen Vorschriften zur Installation und Einsatz in explosionsgefährdeten Bereichen (z. B. IEC 60079-11, IEC 60079-10 und IEC 60079-14) einhalten.

Überprüfen, ob die Klassifizierung für den Einsatzfall geeignet ist. Die jeweiligen nationalen Vorschriften und Bestimmungen beachten.

ATEX

IECEx

- | | |
|---------|----------------------------|
| II 1G | Ex ia IIC T1 ... T6 Ga |
| II 1/2G | Ex ia IIC T1 ... T6 Ga/Gb |
| II 2G | Ex ia IIC T1 ... T6 Gb |
| II 1D | Ex ia IIIC T1 ... T6 Da |
| II 1/2D | Ex ia IIIC T1 ... T6 Da/Db |
| II 2D | Ex ia IIIC T1 ... T6 Db |

1. Ex-Kennzeichnung

Für Anwendungen ohne Transmitter (Digitalanzeigen), die Geräte der Gerätegruppe II (explosionsfähige Gasatmosphären) erfordern, gelten folgende Temperaturklasseneinteilung und Umgebungstemperaturbereiche:

Tabelle 1

Kennzeichnung		Temperaturklasse	Umgebungstemperaturbereich (T _a)	Max. Oberflächentemperatur (T _{max}) an der Fühler- oder Schutzrohrspitze
ATEX	IECEx			
II 1G	Ex ia IIC T1 ... T6 Ga	T1 ... T6	(-50) ¹⁾ -40 ... +80 °C	T _M (Mediumstemperatur) + Eigenerwärmung Hierzu sind die besonderen Bedingungen zu beachten (siehe Kapitel 4 „Besondere Bedingungen für die Verwendung (X-Conditions)“).
II 1/2G	Ex ia IIC T1 ... T6 Ga/Gb			
II 2G	Ex ia IIC T1 ... T6 Gb			

Für Anwendungen, die Geräte der Gerätegruppe II (explosionsfähige Staubatmosphären) erfordern, gelten folgende Oberflächentemperaturen und Umgebungstemperaturbereiche:

Tabelle 2

Kennzeichnung		Leistung P _i	Umgebungstemperaturbereich (T _a)	Max. Oberflächentemperatur (T _{max}) an der Fühler- oder Schutzrohrspitze
ATEX	IECEx			
II 1D	Ex ia IIIC T1 ... T6 Da	750 mW	(-50) ¹⁾ -40 ... +40 °C	T _M (Mediumstemperatur) + Eigenerwärmung Hierzu sind die besonderen Bedingungen zu beachten (siehe Kapitel 4 „Besondere Bedingungen für die Verwendung (X-Conditions)“).
II 1/2D	Ex ia IIIC T1 ... T6 Da/Db			
II 2D	Ex ia IIIC T1 ... T6 Db	650 mW	(-50) ¹⁾ -40 ... +70 °C	
II 1D	Ex ia IIIC T1 ... T6 Da			
II 1/2D	Ex ia IIIC T1 ... T6 Da/Db			
II 2D	Ex ia IIIC T1 ... T6 Db	550 mW	(-50) ¹⁾ -40 ... +80 °C	
II 1D	Ex ia IIIC T1 ... T6 Da			
II 1/2D	Ex ia IIIC T1 ... T6 Da/Db			
II 2D	Ex ia IIIC T1 ... T6 Db			

Beim Einbau eines Transmitters und/oder einer Digitalanzeige gelten die besonderen Bedingungen aus der Baumusterprüfbescheinigung (siehe Kapitel 4 „Besondere Bedingungen für die Verwendung (X-Conditions)“).

1) Die Werte in Klammern gelten für Sonderausführungen. Diese Fühler werden mit besonderen Vergussmassen gefertigt. Weiterhin werden sie mit Gehäusen aus CrNi-Stahl und mit Kabelverschraubungen für den Tieftemperaturbereich ausgestattet.

Verwendung in Methan-Atmosphären

Aufgrund des höheren Mindestzündstromes (MIC) von Methan können die Geräte auch in dadurch verursachte explosionsfähige Gasatmosphären eingesetzt werden. Das Gerät wird optional mit IIC + CH₄ gekennzeichnet.

Für Anwendungen, die EPL Gb oder Db erfordern, können die mit „ia“ gekennzeichneten Geräte auch in Messstromkreisen des Typs „ib“ eingesetzt werden.

DE

2. Sicherheit

2.1 Symbolerklärung



GEFAHR!

... weist auf eine möglicherweise gefährliche Situation im explosionsgefährdeten Bereich hin, die zum Tod oder zu schweren Verletzungen führen kann, wenn sie nicht gemieden wird.

2.2 Bestimmungsgemäße Verwendung

Die hier beschriebenen Thermometer sind geeignet zur Temperaturmessung in explosionsgefährdeten Bereichen.

Das Nichtbeachten der Angaben für den Einsatz in explosionsgefährdeten Bereichen führt zum Verlust des Explosionsschutzes. Grenzwerte und technische Angaben einhalten (siehe Datenblatt).

2.3 Verantwortung des Betreibers

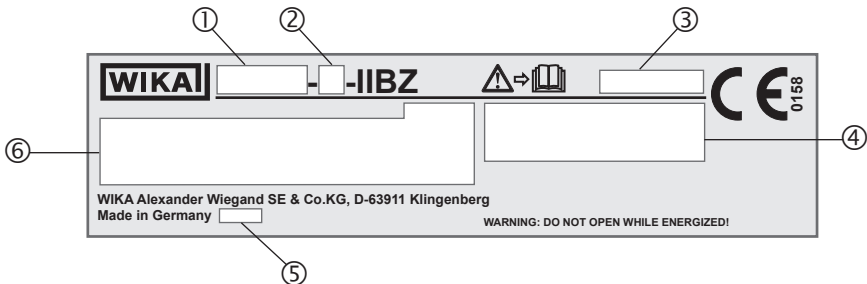
Die Verantwortung über die Zoneneinteilung unterliegt dem Anlagenbetreiber und nicht dem Hersteller/Lieferanten der Betriebsmittel.

2.4 Personalqualifikation

Das Elektrofachpersonal muss Kenntnisse haben über Zündschutzarten, Vorschriften und Verordnungen für Betriebsmittel in explosionsgefährdeten Bereichen.

2.5 Beschilderung, Sicherheitskennzeichnungen

Typenschild (Beispiel)






- ① Typ
- ② A = Messeinsatz
B = Prozess-Thermometer
M = Basismodul
- ③ Seriennummer
- ④ Zulassungsrelevante Daten
- ⑤ Herstellungsjahr
- ⑥ ■ Angaben zur Ausführung (Messelement, Messbereich...)

Sensor gemäß Norm (Widerstandsthermometer)

- F = Dünnschicht-Messwiderstand
- W = Drahtgewickelter Messwiderstand

Sensor gemäß Norm (Thermoelement)

- ungrounded  = isoliert verschweißt
- grounded  = mit dem Mantel verschweißt (geerdet)
- quasi geerdet  = Das Thermometer ist, aufgrund geringer Isolationsabstände zwischen Widerstandssensor und Mantel, als geerdet zu betrachten.

- Transmittertyp (nur bei Ausführung mit Transmitter)



Vor Montage und Inbetriebnahme des Gerätes unbedingt die Betriebsanleitung lesen!

3. Inbetriebnahme, Betrieb



GEFAHR!

Lebensgefahr durch Explosion

Durch die Verwendung eines Messeinsatzes ohne geeigneten Anschlusskopf (Gehäuse) besteht Explosionsgefahr, die zum Tod führen kann.

- Messeinsatz nur im dafür vorgesehenen Anschlusskopf betreiben.

DE



GEFAHR!

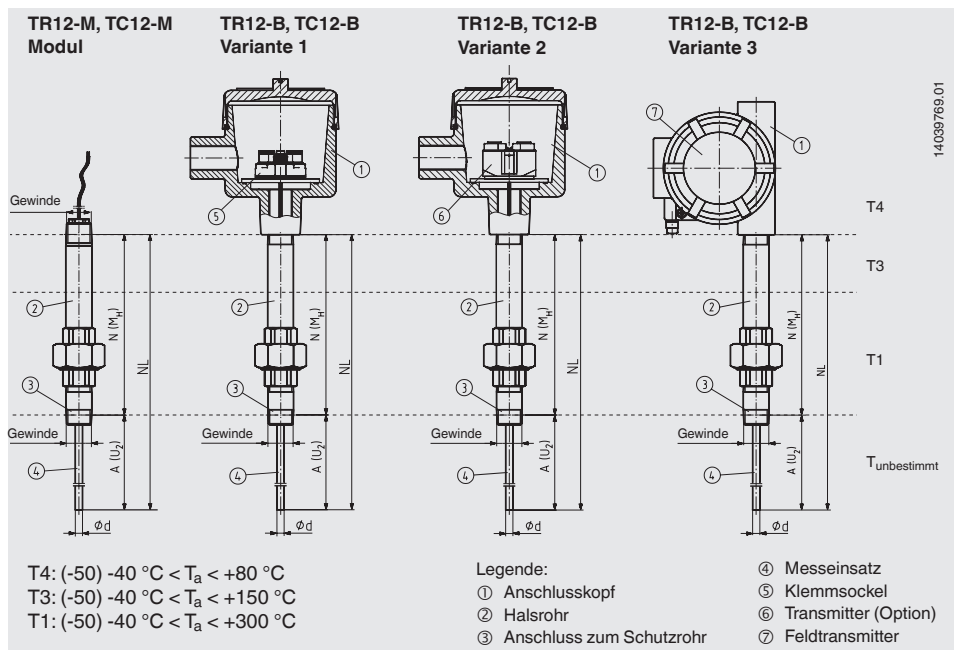
Lebensgefahr bei fehlender Geräteerdung

Bei fehlender oder falscher Geräteerdung besteht die Gefahr von gefährlicher Spannung (hervorgerufen durch z. B. mechanische Beschädigung, elektrostatische Aufladung oder Induktion).

- Thermometer erden!

Besondere Bedingungen beachten (siehe Kapitel 4 „Besondere Bedingungen für die Verwendung (X-Conditions)“, Punkt 2).

3.1 Sicherheitstechnische Hinweise für die verschiedenen Varianten



3.1.1 Variante 1

Das Thermometer wird an ein bescheinigtes Leergehäuse angebaut, in dem eine Klemmleiste eingebaut ist. Ist das Thermometer mit II 2G Ex ia IIC T1 ... T6 Gb gekennzeichnet, ist es für den Einsatz in der Zone 1 vorgesehen. Ist das Thermometer mit II 1/2G Ex ia IIC T1 ... T6 Ga/Gb gekennzeichnet, ist es für den Einsatz an der Trennwand zu Zone 0 mit einem Schutzrohr vorgesehen.

► ATEX/IECEx-Gehäuse oder -Anschlusskopf (mit Anschlussklemme, ohne Transmitter) Auswertung des Widerstandes oder der Thermospannung mittels einer Elektronik außerhalb des explosionsgefährdeten Bereichs.

Einsatz in Zone 1, Kennzeichnung II 2G Ex ia IIC T1 ... T6 Gb

Das Gehäuse oder der Anschlusskopf befindet sich in Zone 1 (oder Zone 2). Der Sensor befindet sich in Zone 1.

Einsatz an der Trennwand zur Zone 0, Kennzeichnung II 1/2G Ex ia IIC T1 ... T6 Ga/Gb

Das Gehäuse oder der Anschlusskopf befindet sich in Zone 1 (oder Zone 2). Der Sensor befindet sich innerhalb eines Schutzrohres (Wandstärke min. 1 mm) welches über einen Prozessanschluss in Zone 0 hineinragt.

Eine Speisung mit Ex ia-Stromkreisen erfüllt diese Bedingungen. Die Verantwortung dafür obliegt dem Betreiber.

Die zulässigen Umgebungstemperaturen der Fremdfabrikate müssen aus den jeweiligen Zulassungen oder Datenblättern entnommen werden.

Eine Erwärmung im Anschlusskopf findet bei Variante 1 nicht statt. Jedoch ist ein unzulässiger Wärmerückfluss aus dem Prozess, welcher die Betriebstemperatur des Gehäuses oder die Temperaturklasse überschreitet, durch geeignete Wärmeisolierung oder ein entsprechend langes Halsrohr zu verhindern.

3.1.2 Variante 2

Das Thermometer wird an bescheinigte Leergehäuse angebaut, in dem eine Elektronik eingebaut ist. Ist das Thermometer mit II 2G Ex ia IIC T1 ... T6 Gb gekennzeichnet, ist es für den Einsatz in der Zone 1 vorgesehen. Ist das Thermometer mit II 1/2G Ex ia IIC T1 ... T6 Ga/Gb gekennzeichnet, ist es für den Einsatz an der Trennwand zu Zone 0 mit einem Schutzrohr vorgesehen.

DE

► ATEX/IECEx Ex ia-Gehäuse oder -Anschlusskopf mit eingebautem Kopftransmitter
Die Auswertung erfolgt über ein Strom- (4 ... 20 mA), Spannung- (0 ... 10 V) oder Feldbus-signal, welches von einem Kopftransmitter erzeugt wird.

Einsatz in Zone 1, Kennzeichnung II 2G Ex ia IIC T1 ... T6 Gb

Das Gehäuse oder der Anschlusskopf befindet sich in Zone 1 (oder Zone 2). Der Sensor befindet sich in Zone 1.

Einsatz an der Trennwand zur Zone 0, Kennzeichnung II 1/2G Ex ia IIC T1 ... T6 Ga/Gb

Das Gehäuse oder der Anschlusskopf befindet sich in Zone 1 (oder Zone 2). Der Sensor befindet sich innerhalb eines Schutzrohres (Wandstärke min. 1 mm) welches über einen Prozessanschluss in Zone 0 hineinragt.

Das Thermometer ist mit einer leistungsbegrenzenden Schaltung zu betreiben.

P_{\max} : 1,5 W

U_{\max} : 30 V

Eine Speisung mit Ex ia-Stromkreisen erfüllt diese Bedingungen. Die Verantwortung dafür obliegt dem Betreiber.

Eine Erwärmung im Anschlusskopf kann bei Variante 2 durch eine fehlerhafte Elektronik stattfinden. Die zulässigen Umgebungstemperaturen richten sich nach den eingesetzten Gehäusen und dem zusätzlich eingebautem Kopftransmitter.

Ein unzulässiger Wärmerückfluss aus dem Prozess welcher die Betriebstemperatur des Transmitters oder Gehäuses überschreitet, ist durch geeignete Wärmeisolierung oder ein entsprechend langes Halsrohr zu verhindern.

3.1.3 Variante 3

Das Thermometer wird an bescheinigte Betriebsmittel (Transmitter) angebaut. Das Thermometer ist mit II 2G Ex ia IIC Tx Gb gekennzeichnet, es ist für den Einsatz in der Zone 1 mit einem Schutzrohr vorgesehen. Für einen etwaigen Einsatz an der Trennwand zu Zone 0 mit einem Schutzrohr sind die Zulassungen und Bedingungen der jeweiligen Transmitter zu beachten.

► ATEX/IECEx Ex i-bescheinigte Temperaturtransmitter

Die Auswertung erfolgt über ein Strom- (4 ... 20 mA), Spannung- (0 ... 10 V) oder Feldbus-signal, welches von einem ATEX/IECEx Ex i-bescheinigten Temperaturtransmitter erzeugt wird.

Einsatz in Zone 1, Kennzeichnung II 2G Ex ia IIC Gb

Das Gehäuse oder der Anschlusskopf befindet sich in Zone 1 (oder Zone 2). Der Sensor befindet sich in Zone 1.

Die führende Kennzeichnung Typ TR12-B, TC12-B befindet sich auf dem bescheinigten Anschlussgehäuse bzw. Ex i-Feldtransmitter.

Die Module TR12-M und TC12-M sind durch ein Folienschild auf dem Halsrohr gekennzeichnet.

Für einen etwaigen Einsatz an der Trennwand zu Zone 0 mit einem Schutzrohr sind die Zulassungen und Bedingungen der jeweiligen Ex i-Feldtransmitter zu beachten.

3.1.4 Verwendung in Methan-Atmosphären

Aufgrund der höheren Grenzspaltweite (MESG) und Mindestzündstrom (MIC) von Methan können die Geräte auch in dadurch verursachte explosionsfähige Gasatmosphären eingesetzt werden.

U_i = siehe Zulassung Fremdtransmitter

I_i = siehe Zulassung Fremdtransmitter

P_i = siehe Zulassung Fremdtransmitter

L_i = siehe Zulassung Fremdtransmitter

C_i = siehe Zulassung Fremdtransmitter

3.2 Elektrische Montage

Einsatz eines Transmitters/Digitalanzeige (Option):

Den Inhalt der zum Transmitter/Digitalanzeige gehörenden Betriebsanleitung (siehe Lieferumfang) beachten.

Eingebaute Transmitter/Digitalanzeige haben eine eigene EG-Baumusterprüfbescheinigung. Die zulässigen Umgebungstemperaturbereiche eingebauter Transmitter der entsprechenden Transmitterzulassung entnehmen.

Besondere Bedingungen beachten (siehe Kapitel 4 „Besondere Bedingungen für die Verwendung (X-Conditions)“, Punkt 3).

Elektrische Anschlusswerte

- Elektrische Daten ohne eingebauten Transmitter oder Digitalanzeige

Kenngrößen	Gerätegruppe II
	Explosionsfähige Gasatmosphäre ³⁾
Spannung U_i	DC 30 V
Stromstärke I_i	550 mA
Leistung P_i (am Sensor)	1,5 W ¹⁾
Innere wirksame Kapazität C_i von Standardmesseinsätzen nach DIN 43735	Vernachlässigbar
Innere wirksame Induktivität L_i von Standardmesseinsätzen nach DIN 43735	Vernachlässigbar

1) Die zulässige Leistung zum Sensor ist abhängig von der Mediumtemperatur T_M , der Temperaturklasse und des Wärmewiderstandes R_{th} , höchstens jedoch 1,5 W.
Berechnungsbeispiele siehe Kapitel 5 „Berechnungsbeispiele für die Eigenerwärmung an der Schutzrohrspitze“.

2) Die zulässige Leistung zum Sensor ist abhängig von der Mediumtemperatur T_M , der maximal zulässigen Oberflächentemperatur und des Wärmewiderstandes R_{th} , höchstens jedoch die Werte aus „Tabelle 2“ (Spalte 2), Kapitel 1 „Ex-Kennzeichnung“.

3) Verwendung in Methan-Atmosphären
Aufgrund der höheren Mindestzündenergie von Methan können die Geräte auch in dadurch verursachte explosionsfähige Gasatmosphären eingesetzt werden.

- Elektrische Daten mit eingebautem Transmitter oder Digitalanzeige

U_i = abhängig vom Transmitter/Digitalanzeige

I_i = abhängig vom Transmitter/Digitalanzeige

P_i = im Gehäuse: abhängig vom Transmitter/Digitalanzeige

C_i = abhängig vom Transmitter/Digitalanzeige

L_i = abhängig vom Transmitter/Digitalanzeige

- Elektrische Daten mit eingebautem Transmitter nach dem FISCO-Modell
Die eingesetzten Transmitter/Digitalanzeigen für den Einsatzbereich entsprechend dem FISCO-Modell gelten als FISCO-Feldgeräte. Es gelten die Anforderungen nach IEC/EN 60079-27 und die Anschlussbedingungen der Zulassungen gemäß FISCO.

3.3 Temperaturklasseneinteilung, Umgebungstemperaturen

Die zulässigen Umgebungstemperaturen richten sich nach der Temperaturklasse, den eingesetzten Gehäusen und dem optional eingebauten Transmitter und/oder der Digitalanzeige.

Bei der Zusammenschaltung eines Thermometers mit einem Transmitter und/oder einer Digitalanzeige gelten der jeweils kleinste Wert der Umgebungstemperaturgrenzen und die Temperaturklasse mit der größten Ziffer. Die untere Temperaturgrenze beträgt -40 °C , für Sonderausführungen -50 °C .

Falls kein Transmitter oder keine Digitalanzeige im Gehäuse montiert ist, findet in diesem auch keine zusätzliche Erwärmung statt. Mit eingebautem Transmitter (optional mit Digitalanzeige) kann eine Erwärmung betriebsbedingt durch den Transmitter oder die Digitalanzeige stattfinden.

Für Anwendungen ohne Transmitter (Digitalanzeigen), die Geräte der Gerätegruppe II (explosionsfähige Gasatmosphären) erfordern, gelten folgende Temperaturklasseneinteilung und Umgebungstemperaturbereiche:

Temperaturklasse	Umgebungstemperaturbereich (T_a)
T1 ... T6	(-50) $-40 \dots +80\text{ °C}$

Die zulässigen Umgebungstemperaturen und Oberflächentemperaturen von Fremdfabriken den jeweiligen Zulassungen und/oder Datenblättern entnehmen und beachten.

Beispiel

Für Geräte mit Transmitter und Digitalanzeige DIH50 gilt z. B. folgende Begrenzung der Temperaturklasseneinteilung:

Temperaturklasse	Umgebungstemperaturbereich (T_a)
T6	$-40 \dots +55\text{ °C}$

Die zulässigen Umgebungstemperaturen und Oberflächentemperaturen von Fremdfabriken den jeweiligen Zulassungen und/oder Datenblättern entnehmen und beachten.

Die Werte in Klammern gelten für Sonderausführungen. Diese Fühler werden mit besonderen Vergussmassen gefertigt. Weiterhin werden sie mit Anschlussköpfen aus CrNi-Stahl und mit Kabelverschraubungen für den Tieftemperaturbereich ausgestattet.

Diese Thermometer sind laut Zulassung geeignet für die Temperaturklassen T1 ... T6. Dies gilt für Geräte mit oder ohne eingebaute Transmitter und/oder Digitalanzeigen. Hierbei sicherstellen, dass die maximale Umgebungstemperatur für den sicheren Betrieb des Gerätes nicht überschritten wird.

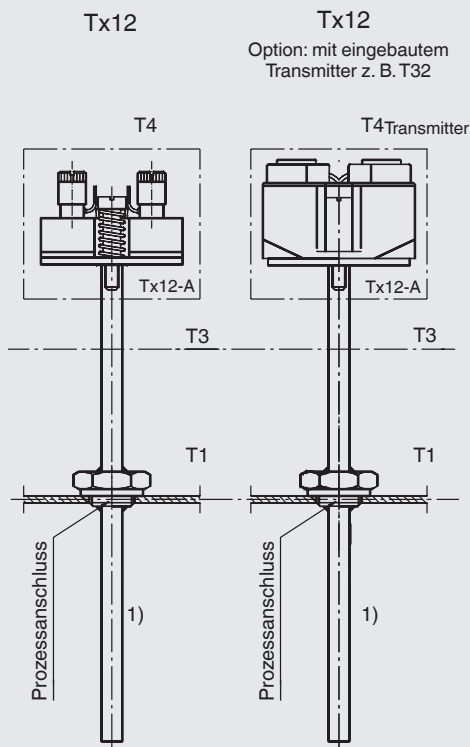
3. Inbetriebnahme, Betrieb

3.4 Temperaturverschleppung aus dem Prozess

Wärmerückfluss aus dem Prozess verhindern!

Besondere Bedingungen beachten (siehe Kapitel 4 „Besondere Bedingungen für die Verwendung (X-Conditions)“, Punkt 4).

3.5 Übersicht der Temperaturzonen

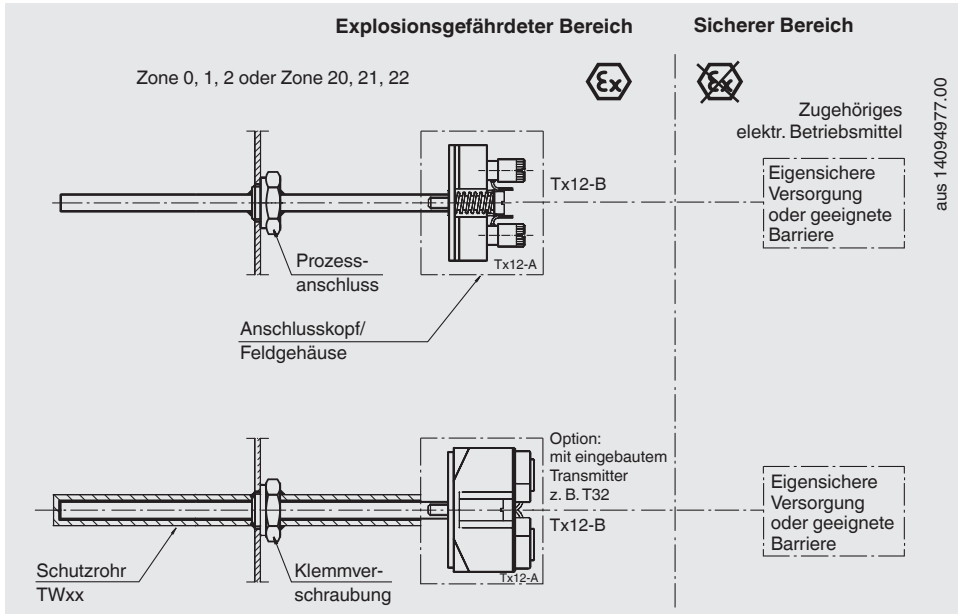


FF-00147.00

14280102.01 12/2018 EN/DE/FR/ES

3.6 Montagebeispiele

3.6.1 Mögliche Einbaumethoden mit der Markierung II 1G Ex ia IIC T6 Ga bzw. II 1D Ex ia IIIC T65 °C Da



DE

Der Fühler samt Gehäuse oder Anschlusskopf befindet sich in Zone 0 (Zone 20). Es ist ein Stromkreis vom Typ Ex ia zu verwenden. Anschlussköpfe/Gehäuse aus Aluminium sind in Zone 0 normalerweise nicht zulässig. WIKA empfiehlt an dieser Stelle Anschlussköpfe/Gehäuse aus CrNi-Stahl.

Schutzmaßnahmen für Anwendungen, die EPL Ga oder Da erfordern:

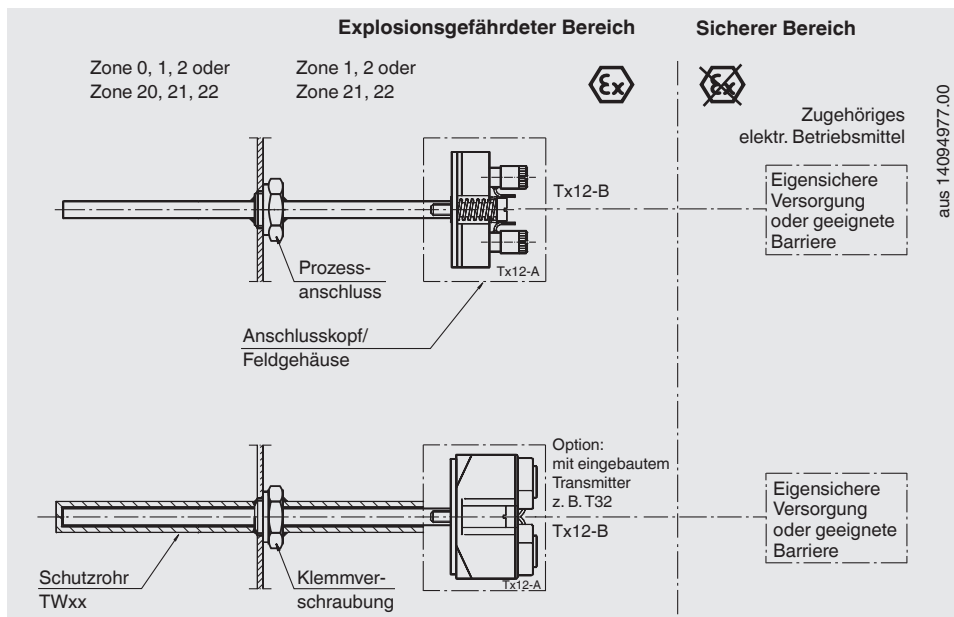
Für den Fall, dass Leichtmetallgehäuse in Zone 0 eingesetzt werden, gelten folgende Schutzmaßnahmen:

Betriebsbedingte Reibung oder Stöße zwischen Geräteteilen aus Leichtmetall oder deren Legierungen (z. B. Aluminium, Magnesium, Titanium oder Zirkonium) mit Geräteteilen aus Eisen/Stahl sind nicht zulässig. Betriebsbedingte Reibungen oder Stöße zwischen Leichtmetallen sind erlaubt.

Besondere Bedingungen beachten (siehe Kapitel 4 „Besondere Bedingungen für die Verwendung (X-Conditions)“, Punkt 5 und 7).

3. Inbetriebnahme, Betrieb

3.6.2 Mögliche Einbaumethoden mit Markierung II 1/2G Ex ia IIC T1 ... T6 Ga/Gb bzw. II 1/2D Ex ia IIIC T65 ... T125 °C Da/Db



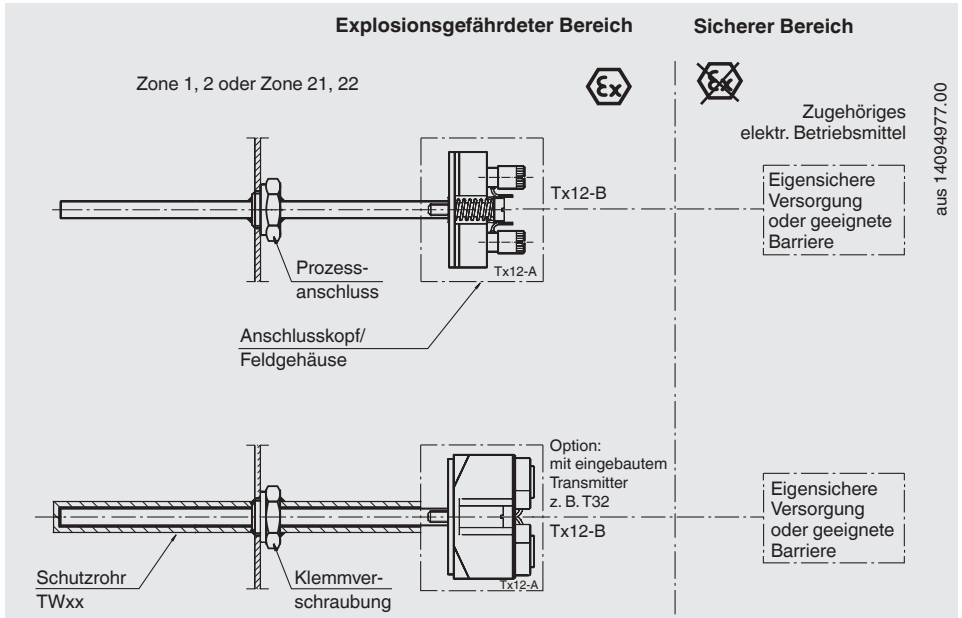
Die Fühler- oder Schutzrohrspitze ragt in Zone 0 hinein. Das Gehäuse oder Anschlusskopf befindet sich in Zone 1 (Zone 21) oder Zone 2 (Zone 22). Es ist ausreichend, einen Stromkreis vom Typ Ex ib zu verwenden.

Eine Zonentrennung ist gewährleistet, wenn ausreichend dichte (IP66 oder IP67) Prozessanschlüsse verwendet werden.

Geeignete Prozessanschlüsse sind beispielsweise gasdichte genormte Industrieflansche, Gewindeanschlüsse oder Rohranschlüsse.

Die benutzten Prozessanschlüsse, Schutzrohre oder Gehäuse müssen so ausgelegt sein, dass sie allen durch den Prozess entstehenden Einflüssen wie zum Beispiel Temperatur, Durchflusskräften, Druck, Korrosion, Schwingung und Stößen widerstehen.

3.6.3 Mögliche Einbaumethoden mit der Markierung II 2G Ex ia IIC T1 ... T6 Gb bzw. II 2D Ex ia IIIC T65 ... T125 °C Db




3.6.4 Trennwände für die Anwendung in der Zone 0 oder Zone 1/2 oder Trennung zwischen explosionsgefährdetem und sicherem Bereich

Falls die Wandstärke unter 1 mm liegt, dann muss das Gerät ebenfalls mit einem „X“ oder einem Sicherheitshinweis nach 29.2 der IEC/EN 60079-0 gekennzeichnet werden, mit der speziellen Bedingung für den sicheren Gebrauch, dass es keinen Umgebungsbeanspruchungen ausgesetzt wird, die die Trennwand nachteilig beeinträchtigen können. Wenn die Trennwand ständig in Schwingungen versetzt wird (z. B. schwingende Membranen), muss die minimale Dauerschwingfestigkeit bei maximaler Amplitude in der Dokumentation angegeben werden (vgl. Abschnitt 4.2.5.2, IEC/EN 60079-26).

Besondere Bedingungen beachten (siehe Kapitel 4 „Besondere Bedingungen für die Verwendung (X-Conditions)“, Punkt 5).

Alternativ kann vom Kunden ein Schutzrohr mit entsprechender Mindestwandstärke eingesetzt werden. Hierzu die besonderen Bedingungen beachten (siehe Kapitel 4 „Besondere Bedingungen für die Verwendung (X-Conditions)“, Punkt 6).

4. Besondere Bedingungen für die Verwendung (X-Conditions)

- 1) Versionen mit $\varnothing < 3 \text{ mm}$ oder „nicht isolierte“ Versionen entsprechen nicht Abschnitt 6.3.13, IEC/EN 60079-11. Dadurch sind diese eigensicheren Stromkreise aus sicherheitstechnischer Sicht als mit dem Erdpotential galvanisch verbunden anzusehen („quasi geerdet“ ) und es muss im gesamten Verlauf der Errichtung der eigensicheren Stromkreise Potentialausgleich bestehen. Außerdem sind für den Anschluss gesonderte Bedingungen nach IEC/EN 60079-14 zu beachten.
- 2) An Geräten, die aufgrund Ihrer Bauart nicht den elektrostatischen Anforderungen nach IEC/EN 60079-0 und IEC/EN 60079-26 entsprechen, müssen elektrostatische Aufladungen vermieden werden.
- 3) Eingesetzte Transmitter/Digitalanzeigen müssen eine eigene EG-Baumusterprüfbescheinigung entsprechend IEC/EN besitzen. Es sind die Installationsbedingungen, die elektrischen Anschlussgrößen, die Temperaturklassen bzw. maximalen Oberflächentemperaturen bei Geräten zur Verwendung in explosionsfähigen Staubatmosphären und zulässigen Umgebungstemperaturen den entsprechenden EG-Baumusterprüfbescheinigungen zu entnehmen und einzuhalten.
- 4) Ein Wärmerückfluss aus dem Prozess, welcher die zulässige Umgebungstemperatur des Transmitters, der Digitalanzeige oder des Gehäuses überschreitet, ist nicht zulässig und durch geeignete Wärmeisolierung oder ein entsprechend langes Halsrohr zu verhindern.
- 5) Falls die Wandstärke unter 1 mm liegt, dürfen die Geräte keinen Umgebungsbeanspruchungen ausgesetzt werden, die die Trennwand nachteilig beeinträchtigen können. Alternativ kann ein Schutzrohr mit entsprechender Mindestwandstärke eingesetzt werden.
- 6) Bei Verwendung eines Schutzrohres/Halsrohres muss das Gesamtgerät so konstruiert sein, dass ein Einbau in einer Art möglich ist, die zu einem genügend dichten Spalt (IP66 oder IP67) oder einem zünddurchschlagsicheren Spalt (IEC/EN 60079-1) hin zum weniger gefährdeten Bereich führt.
- 7) *Nicht relevant für dieses Gerät (siehe X-Conditions in EG-Baumusterprüfbescheinigung)*
- 8) Für die Verwendung von Gehäusen müssen diese entweder über eine entsprechende eigene EG-Baumusterprüfbescheinigung verfügen oder den minimalen Anforderungen entsprechen.
IP-Schutz: mindestens IP20 (mindestens IP6x für Staub), gilt für alle Gehäuse
Leichtmetallgehäuse müssen den entsprechenden Abschnitten der anwendbaren Normen entsprechen. Zusätzlich müssen nicht metallische Gehäuse oder pulverbeschichtete Gehäuse den elektrostatischen Anforderungen der anwendbaren Normen entsprechen oder einen entsprechenden Warnhinweis besitzen.

4. Besondere Bedingungen für die Verwendung (X-Conditions)

- 9) Zugängliche Teile von nicht geerdeten Metallgehäusen und zugängliche Teile von Metallgehäusen, die geerdet sind, aber nicht Abschnitt 6.5 aus IEC/EN 60079-11 entsprechen, müssen Abschnitt 7.5 aus IEC/EN 60079-0 entsprechen oder mit einem entsprechenden Warnhinweis versehen sein.
- 10) Wenn es nicht möglich ist den Umgebungstemperaturbereich in der Kennzeichnung des Gerätes anzugeben, weil es sich bei dem Gerät um ein kleines Gerät gemäß Abschnitt 29.10 aus IEC/EN 60079-0 handelt, so ist der Umgebungstemperaturbereich in der mit dem Gerät gelieferten Betriebsanleitung anzugeben. Wenn es sich bei dem Gerät nicht um ein kleines Gerät gemäß Abschnitt 29.10 aus IEC/EN 60079-0 handelt, so muss die Kennzeichnung des Gerätes zusätzlich ein Hinweis auf die mitgelieferte Betriebsanleitung enthalten.

Schutzmaßnahmen für Anwendungen, die EPL Ga oder Da erfordern:

Betriebsbedingte Reibung oder Stöße zwischen Geräteteilen aus Leichtmetall oder deren Legierungen (z. B. Aluminium, Magnesium, Titanium oder Zirkonium) mit Geräteteilen aus Eisen/Stahl sind nicht zulässig. Betriebsbedingte Reibungen oder Stöße zwischen Leichtmetallen sind erlaubt.

DE

5. Berechnungsbeispiele für die Eigenerwärmung an der Schutzrohrspitze

Die Eigenerwärmung an der Schutzrohrspitze hängt ab vom Sensortyp (TC/RTD), dem Messeinsatzdurchmesser und der Bauart des Schutzrohres. Die nachstehende Tabelle zeigt die möglichen Kombinationen. Die Erwärmung an der Sensorspitze des blanken Messeinsatzes ist deutlich höher, auf die Darstellung dieser Werte wurde aufgrund des notwendigen Zusammenbaus mit einem Schutzrohr verzichtet.

Aus der Tabelle ist ersichtlich, dass Thermoelemente eine deutlich geringere Eigenerwärmung erzeugen als Widerstandsthermometer.

Wärmewiderstand [R_{th} in K/W]

Sensortyp	RTD		TC	
	3,0 - < 6,0	6,0 - ≤ 8,0	3,0 - < 6,0	6,0 - ≤ 8,0
Mit Schutzrohr - mehrteilig (gerade und verjüngt), z. B. TW35, TW40 usw.	60	37	11	2,5
Mit Schutzrohr - Vollmaterial (gerade und verjüngt), z. B. TW10, TW15, TW20, TW25, TW30 usw.	22	16	4	1
Eingebaut in ein Sackloch (Mindestwandstärke 5 mm)	22	16	4	1

5.1 Beispielsberechnung für die Variante 2 mit TC-Sensor

Unter den gleichen Bedingungen ergibt sich ein geringerer Wert für die Eigenerwärmung, da sich die zugeführte Leistung nicht nur an der Fühlerspitze umsetzt, sondern über die gesamte Länge eines Messeinsatzes.

Wärmewiderstand [R_{th} in K/W] aus Tabelle = 3 K/W

Eigenerwärmung: $0,8 \text{ W} \cdot 3 \text{ K/W} = 2,4 \text{ K}$

$T_{max} = T_M + \text{Eigenerwärmung} = 150 \text{ °C} + 2,4 \text{ °C} = 152,4 \text{ °C}$

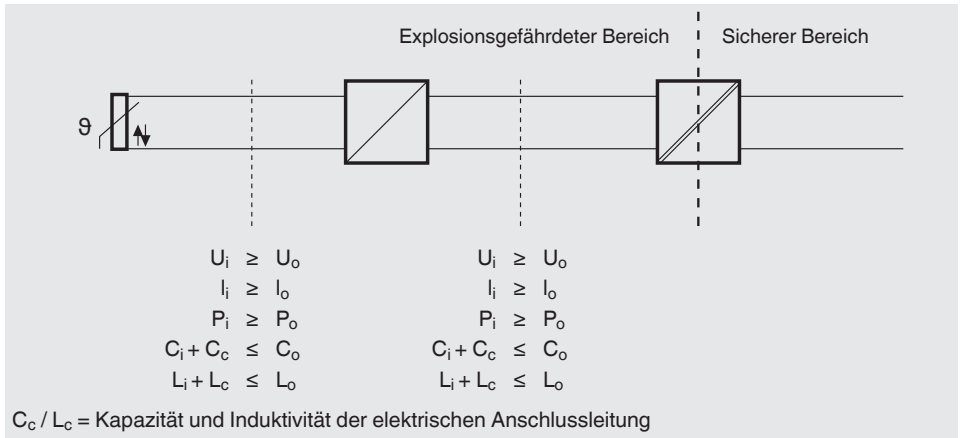
Als Sicherheitsabstand für baumustergeprüfte Geräte (für T6 bis T3) müssen von den 200 °C noch 5 °C subtrahiert werden, es wären 195 °C zulässig. Somit wird in diesem Fall die Temperaturklasse T3 nicht überschritten.

In diesem Beispiel wird deutlich dass hier die Eigenerwärmung fast vernachlässigbar ist.

5. Berechnungsbeispiele für die Eigenerwärmung an der ...

5.2 Eigensicherheitsnachweis

Sensor mit Transmitter und Barriere



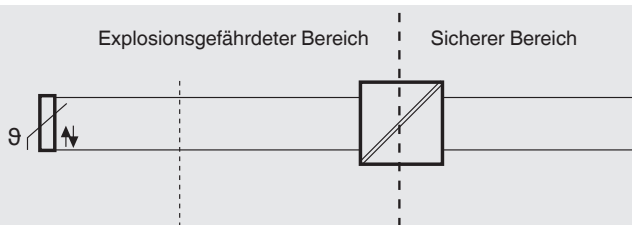
DE

Vereinfachter Nachweis der Eigensicherheit für oben genannte Kombination

Messeinsatz		Kopftransmitter		Trennbarriere
U_i : DC 30 V	\geq	U_o : DC 6,5 V	U_i : DC 30 V	\geq U_o : DC 25,4 V
I_i : 550 mA	\geq	I_o : 9,3 mA	I_i : 130 mA	\geq I_o : 88,2 mA
P_i (max) am Sensor: 1,5 W	\geq	P_o : 15,2 mW	P_i : 800 mW	\geq P_o : 560 mW
C_i : vernachlässigbar	\leq	C_o : 24 μ F	C_i : 7,8 nF	\leq C_o : 93 nF
L_i : vernachlässigbar	\leq	L_o : 365 mH	L_i : 100 μ H	\leq L_o : 2,7 mH

Durch den Vergleich der Werte ist ersichtlich dass die Zusammenschaltung dieser Geräte zulässig ist. Allerdings müssen durch den Betreiber die Werte für die Induktivität und der Kapazität der elektrischen Anschlussleitungen noch berücksichtigt werden.

Sensor ohne Transmitter, mit Barriere



$$\begin{aligned}
 U_i &\geq U_o \\
 I_i &\geq I_o \\
 P_i &\geq P_o \\
 C_i + C_c &\leq C_o \\
 L_i + L_c &\leq L_o
 \end{aligned}$$

C_c / L_c = Kapazität und Induktivität der elektrischen Anschlussleitung

Vereinfachter Nachweis der Eigensicherheit für oben genannte Kombination

Messeinsatz		Zenerbarriere Z954	
U_i : DC 30 V	\geq	U_o : DC 9 V	U_m : AC 250 V
I_i : 550 mA	\geq	I_o : 510 mA	I_j : n. a.
P_i (max) am Sensor: 1,5 W	\geq	P_o : 1.150 mW	P_j : n. a.
C_j : vernachlässigbar	\leq	C_o : 4,9 μ F	C_j : n. a.
L_j : vernachlässigbar	\leq	L_o : 0,12 mH	L_j : n. a.

n. a. = nicht anwendbar

Durch den Vergleich der Werte ist ersichtlich dass die Zusammenschaltung dieser Geräte zulässig ist. Allerdings müssen durch den Betreiber die Werte für die Induktivität und der Kapazität der elektrischen Anschlussleitungen noch berücksichtigt werden.

Diese Berechnungen gelten für die Zenerbarriere Z954 in Verbindung mit einem Widerstandsthermometer Pt100 im 3-kanaligen Betrieb ohne Erdverbindung, d. h. symmetrischer Betrieb des Widerstandsthermometers in 3-Leiter Schaltung an einer Anzeige oder Auswerteeinheit.



EU-Konformitätserklärung EU Declaration of Conformity

Dokument Nr.: 14031790.04
Document No.:




Wir erklären in alleiniger Verantwortung, dass die mit CE gekennzeichneten Produkte
We declare under our sole responsibility that the CE marked products

Typenbezeichnung: TR12-B-ZZ⁽¹⁾, TC12-B-ZZ⁽¹⁾
Type Designation: TR12-B-^aI⁽¹⁾, (2), (4), TR12-M-^aI⁽¹⁾, (2), (4), TC12-B-^aI⁽¹⁾, (2), (4), TC12-M-^aI⁽¹⁾, (2), (4)
TR12-B-^aD⁽¹⁾, (3), TR12-M-^aD⁽¹⁾, (3), TC12-B-^aD⁽¹⁾, (3), TC12-M-^aD⁽¹⁾, (3)

Beschreibung: Prozessthermometer Typ TR12 und TC12 zum Einbau in ein Schutzrohr
Description: Process thermometer model TR12 and TC12 for additional thermowell

gemäß gültigem Datenblatt:
according to the valid data sheet: TE 60.17, TE 65.17

die wesentlichen Schutzanforderungen der folgenden Richtlinien erfüllen:
comply with the essential protection requirements of the directives: Harmonisierte Normen:
Harmonized standards:

2011/65/EU	Gefährliche Stoffe (RoHS) Hazardous substances (RoHS)	EN 50581:2012
2014/30/EU	Elektromagnetische Verträglichkeit (EMV) ⁽¹⁾ Electromagnetic Compatibility (EMC) ⁽¹⁾	
2014/34/EU	Explosionsschutz (ATEX) ^{(2), (3), (4)} Explosion protection (ATEX) ^{(2), (3), (4)}	
	II 1G Ex ia IIC T1, T2, T3, T4, T5, T6 Ga or II 1/2G Ex ia IIC T1, T2, T3, T4, T5, T6 Ga/Gb or II 2G Ex ia IIC T1, T2, T3, T4, T5, T6 Gb or II 2G Ex ib IIC T1, T2, T3, T4, T5, T6 Gb	(2) EN 60079-0:2012 +A11:2013 EN 60079-11:2012 EN 60079-26:2015
	II 2G Ex db IIC T6-T1 Gb or II 1/2G Ex db IIC T6-T1 Ga/Gb or II 2G Ex db IIC Gb	(3) EN 60079-0:2012 +A11:2013 EN 60079-1:2014 EN 60079-26:2015
	II 3G Ex ic IIC T1, T2 T3, T4, T5, T6 Gc	(4) EN 60079-0:2012 +A11:2013 EN 60079-11:2012

- (1) Für optional eingebaute Transmitter oder Anzeigen gelten deren EU-Konformitätserklärungen und die darin gelisteten Normen
For optional built-in transmitters and indicators their respective EU declarations of conformity and the therein listed standards apply
- (2) EG-Baumusterprüfbescheinigung TÜV 10 ATEX 555793 X von TÜV NORD CERT GmbH, D-45141 Essen (Reg.-Nr. 0044)
EC type-examination certificate TÜV 10 ATEX 555793 X of TÜV NORD CERT GmbH, D-45141 Essen (Reg. no. 0044)
- (3) EU-Baumusterprüfbescheinigung BVS 07 ATEX E 071 X von DEKRA EXAM GmbH, D-44809 Bochum (Reg. Nr. 0158)
EU type examination certificate BVS 07 ATEX E 071 X of DEKRA EXAM GmbH, D-44809 Bochum (Reg. No. 0158)
- (4) Modul A, interne Fertigungskontrolle
Module A, internal control of production

Unterzeichnet für und im Namen von / Signed for and on behalf of

WIKAL Alexander Wiegand SE & Co. KG

Klingenberg, 2017-07-11


Stefan Heidinger, Vice President
Electrical Temperature Measurement


Franz-Josef Vogel, Executive Vice President
Process Instrumentation

WIKAL Alexander Wiegand SE & Co. KG
Alexander-Wiegand-Straße 30
63911 Klingenberg
Germany

Tel. +49 9372 132-0
Fax +49 9372 132-406
E-Mail: info@wika.de
www.wika.de

Kommanditgesellschaft: Sitz Klingenberg –
Amtsgericht Aschaffenburg HRA 1819
Komplementär: WIKAL Verwaltung SE & Co. KG –
Sitz Klingenberg – Amtsgericht Aschaffenburg
HRA 4685

Komplementär:
WIKAL International SE - Sitz Klingenberg -
Amtsgericht Aschaffenburg HRB 10506
Vorstand: Alexander Wiegand
Vorsitzender des Aufsichtsrats: Dr. Max Egl



DE

Sommaire

1. Marquage Ex	48
2. Sécurité	50
3. Mise en service, utilisation	52
4. Conditions spécifiques d'utilisation (conditions X)	62
5. Exemples de calculs pour auto-échauffement à l'extrémité du doigt de gant	64
Annexe : Déclaration de conformité UE	67

Déclarations de conformité disponibles sur www.wika.fr.

1. Marquage Ex

Documentation supplémentaire :

- ▶ Ces informations complémentaires concernant les zones explosives s'appliquent en conjonction avec le mode d'emploi "Sonde à résistance TR12 et thermocouple TC12" (numéro d'article 14064370).

FR

1. Marquage Ex



DANGER !

Danger de mort due à la perte de la protection contre les explosions

Le non respect de ces instructions et de leurs contenus peut entraîner une perte de la protection contre les explosions.

- ▶ Observer les instructions de sécurité de ce chapitre et les autres instructions liées aux explosions de ce mode d'emploi.
- ▶ Respecter les exigences de la directive ATEX.
- ▶ Respecter les indications du certificat d'examen de type valable de même que les prescriptions nationales respectives concernant le montage et l'utilisation en zone explosive (par exemple CEI 60079-11, CEI 60079-10 et CEI 60079-14).

Contrôler que la classification est adaptée à l'application. Observer les réglementations nationales concernées.

ATEX

IECEX

- | | |
|---------|----------------------------|
| II 1G | Ex ia IIC T1 ... T6 Ga |
| II 1/2G | Ex ia IIC T1 ... T6 Ga/Gb |
| II 2G | Ex ia IIC T1 ... T6 Gb |
| II 1D | Ex ia IIIC T1 ... T6 Da |
| II 1/2D | Ex ia IIIC T1 ... T6 Da/Db |
| II 2D | Ex ia IIIC T1 ... T6 Db |

1. Marquage Ex

Pour les applications sans transmetteur (affichages numériques) qui requièrent des instruments du Groupe II (atmosphères gazeuses potentiellement explosives), la classification de température et les plages de température ambiante suivantes s'appliquent :

Tableau 1

Marquage		Classe de température	Plage de température ambiante (T_a)	Température maximale de surface (T_{max}) du capteur ou à l'extrémité du doigt de gant
ATEX	IECEX			
II 1G	Ex ia IIC T1 ... T6 Ga	T1 ... T6	(-50) ¹⁾ -40 ... +80 °C	T_M (température du fluide) + auto-échauffement Pour ceci, il faut observer les conditions spéciales (voir chapitre 4 "Conditions spécifiques d'utilisation (conditions X)").
II 1/2G	Ex ia IIC T1 ... T6 Ga/Gb			
II 2G	Ex ia IIC T1 ... T6 Gb			

FR

Pour les applications qui requièrent des instruments du Groupe II (atmosphères poussiéreuses potentiellement explosives), les températures de surface suivantes et les plages de température ambiante suivantes s'appliquent :

Tableau 2

Marquage		Puissance P_i	Plage de température ambiante (T_a)	Température maximale de surface (T_{max}) du capteur ou à l'extrémité du doigt de gant
ATEX	IECEX			
II 1D	Ex ia IIIC T1 ... T6 Da	750 mW	(-50) ¹⁾ -40 ... +40 °C	T_M (température du fluide) + auto-échauffement Pour ceci, il faut observer les conditions spéciales (voir chapitre 4 "Conditions spécifiques d'utilisation (conditions X)").
II 1/2D	Ex ia IIIC T1 ... T6 Da/Db			
II 2D	Ex ia IIIC T1 ... T6 Db			
II 1D	Ex ia IIIC T1 ... T6 Da	650 mW	(-50) ¹⁾ -40 ... +70 °C	T_M (température du fluide) + auto-échauffement Pour ceci, il faut observer les conditions spéciales (voir chapitre 4 "Conditions spécifiques d'utilisation (conditions X)").
II 1/2D	Ex ia IIIC T1 ... T6 Da/Db			
II 2D	Ex ia IIIC T1 ... T6 Db			
II 1D	Ex ia IIIC T1 ... T6 Da	550 mW	(-50) ¹⁾ -40 ... +80 °C	T_M (température du fluide) + auto-échauffement Pour ceci, il faut observer les conditions spéciales (voir chapitre 4 "Conditions spécifiques d'utilisation (conditions X)").
II 1/2D	Ex ia IIIC T1 ... T6 Da/Db			
II 2D	Ex ia IIIC T1 ... T6 Db			

Lorsqu'il y a un transmetteur intégré et/ou un affichage numérique, les conditions spéciales contenues dans le certificat d'examen de type (voir chapitre 4 "Conditions spécifiques d'utilisation (conditions X)") s'appliquent.

1) Les valeurs entre parenthèses s'appliquent aux conceptions spéciales. Ces capteurs sont fabriqués en utilisant des composés spéciaux pour l'étanchéité. De plus, ils sont munis de boîtiers en acier inox et de presse-étoupes pour des plages de température basse.

Utilisation dans les atmosphères contenant du méthane

À cause du courant d'ignition minimum du méthane qui est plus fort, les instruments peuvent aussi être utilisés là où le méthane crée une atmosphère gazeuse potentiellement explosive. L'instrument peut, en option, être marqué IIC + CH₄.

Pour les applications qui requièrent EPL Gb or Db, les instruments marqués avec "ia" peuvent aussi être utilisés dans les circuits de mesure de type "ib".

FR

2. Sécurité

2.1 Explication des symboles



DANGER !

... indique une situation en zone explosive présentant des risques susceptibles de provoquer la mort ou des blessures graves si elle n'est pas évitée.

2.2 Utilisation conforme à l'usage prévu

Les thermomètres décrits ici conviennent à des fins de mesure de la température en zone explosive.

Le non-respect des instructions pour utilisation en zones explosives peut conduire à la perte de la protection contre les explosions. Correspondre aux valeurs limites et instructions suivantes (voir fiche technique).

2.3 Responsabilité de l'opérateur

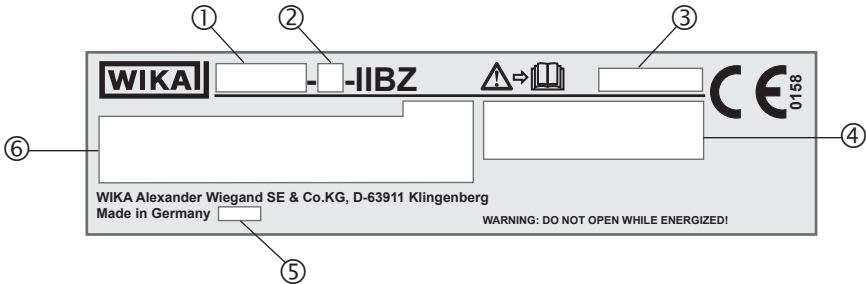
La classification des zones est une responsabilité qui incombe à l'exploitant du site et non au fabricant/fournisseur de l'équipement.

2.4 Qualification du personnel

Le personnel qualifié en électricité doit avoir les connaissances requises des types de protection contre l'ignition, des réglementations et dispositions concernant les équipements en zones explosives.

2.5 Etiquetage, marquages de sécurité

Plaque signalétique (exemple)






- ① Type
- ② A = insert de mesure
B = thermomètre de process
M = module de base
- ③ Numéro de série
- ④ Données d'agrément liées
- ⑤ Année de fabrication
- ⑥ ■ Informations concernant la version (élément de mesure, étendue de mesure ...)

Capteur conforme à la norme (sonde à résistance)

- F = Résistance de mesure à couche mince
- W = Résistance de mesure bobinée

Capteur conforme à la norme (thermocouple)

- isolé  = soudure isolée
- grounded  = soudé à la tige (non isolé)
- quasi non isolé  = Le thermomètre doit, en raison de ses faibles distances d'isolement entre le capteur de résistance et la gaine, être considéré comme mis à la terre.

- Type de transmetteur (uniquement pour version avec transmetteur)



Lire impérativement le mode d'emploi avant le montage et la mise en service de l'instrument !

3. Mise en service, utilisation

3. Mise en service, utilisation



DANGER !

Danger d'explosion mortelle

Si l'on utilise un insert de mesure sans tête de raccordement adéquate (boîtier), on court un risque d'explosion qui peut causer des pertes humaines.

- N'utiliser l'insert de mesure que dans la tête de raccordement prévue à cet effet.

FR



DANGER !

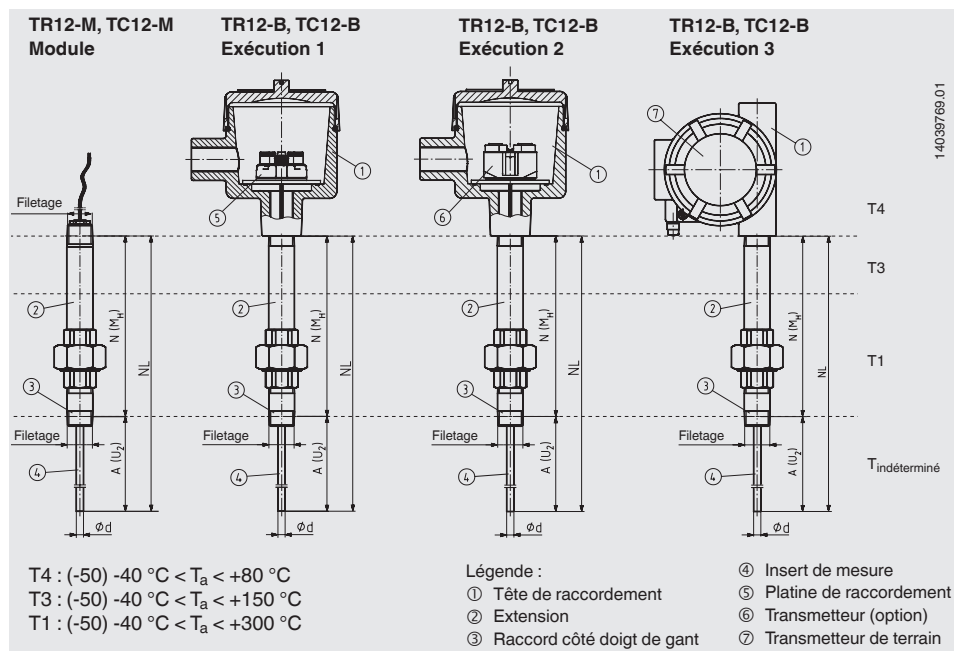
Danger vital dû à une absence de mise à la terre de l'appareil

Si la mise à la terre est absente ou incorrecte, il y a un risque de tensions dangereuses (conduisant, par exemple, à des dommages mécaniques, à des charges électrostatiques ou à une induction).

- Mettre le thermomètre à la terre !

Observer les conditions spéciales (voir chapitre 4 "Conditions spécifiques d'utilisation (conditions X)", point 2).

3.1 Consignes de sécurité pour les différentes exécutions



3.1.1 Exécution 1

Le thermomètre est équipé d'un boîtier certifié dans lequel le bloc à bornes est monté. Si la sonde est marquée par II 2G Ex ia IIC T1 ... T6 Gb, alors il est conçu pour l'utilisation en zone 1. Si la sonde est marquée par II 1/2G Ex ia IIC T1 ... T6 Ga/Gb, alors elle est conçue pour l'utilisation avec un doigt de gant en zone 0.

- ▶ Boîtier ou tête de raccordement ATEX/IECEx (avec des bornes de raccordement, sans transmetteur)

Évaluation de la résistance ou du potentiel thermo-électrique entre l'électronique en-dehors de la zone explosive.

Utilisation en zone 1, marquage II 2G Ex ia IIC T1 ... T6 Gb

Le boîtier ou la tête de raccordement se trouve en zone 1 (ou zone 2). Le capteur est positionné en zone 1.

Utilisation en zone 0, marquage II 1/2G Ex ia IIC T1 ... T6 Ga/Gb

Le boîtier ou la tête de raccordement se trouve en zone 1 (ou zone 2). Le capteur est à l'intérieur d'un doigt de gant (épaisseur minimale de paroi 1 mm) qui s'étend jusqu'à la zone 0 par un raccord process.

Une alimentation par le circuit électrique Ex ia remplit ces conditions. La responsabilité incombe à l'opérateur.

Les températures ambiantes admissibles pour des produits tiers peuvent être vues dans les approbations récentes ou les fiches techniques.

Il n'y a pas de chauffage dans la tête de raccordement sur l'exécution 1. Toutefois, un reflux de chaleur inadmissible, pouvant excéder la température de fonctionnement du boîtier ou la classe de température, doit être empêché par une isolation adéquate contre la chaleur ou une extension suffisamment longue.

3.1.2 Exécution 2

Le thermomètre est monté dans un boîtier certifié dans lequel un ensemble électronique a été monté. Si la sonde est marquée par II 2G Ex ia IIC T1 ... T6 Gb, alors elle est conçue pour l'utilisation en zone 1. Si le thermomètre est marqué par II 1/2G Ex ia IIC T1 ... T6 Ga/Gb, alors il est conçu pour l'utilisation avec un doigt de gant en zone 0.

► Boîtier ou tête de raccordement ATEX/IECEx Ex ia avec transmetteur incorporé
L'évaluation est faite par un courant (4 ... 20 mA), une tension (0 ... 10 V) ou un bus de terrain, qui est généré depuis un transmetteur monté dans la tête.

FR

Utilisation en zone 1, marquage II 2G Ex ia IIC T1 ... T6 Gb

Le boîtier ou la tête de raccordement se trouve en zone 1 (ou zone 2). Le capteur est positionné en zone 1.

Utilisation en zone 0, marquage II 1/2G Ex ia IIC T1 ... T6 Ga/Gb

Le boîtier ou la tête de raccordement se trouve en zone 1 (ou zone 2). Le capteur est à l'intérieur d'un doigt de gant (épaisseur minimale de paroi 1 mm) qui s'étend jusqu'à la zone 0 par un raccord process.

Le thermomètre doit être utilisé avec un circuit de limitation de puissance.

P_{\max} : 1,5 W

U_{\max} : 30 V

Une alimentation par le circuit électrique Ex ia remplit ces conditions. La responsabilité incombe à l'opérateur.

Un chauffage dans la tête de raccordement peut se produire avec l'exécution 2 à cause d'une électronique défectueuse. Les températures admissibles dépendent du boîtier utilisé et de tout transmetteur monté en tête posé en supplément.

Toutefois, un reflux de chaleur inadmissible, pouvant excéder la température de fonctionnement du boîtier ou la classe de température, doit être empêché par une isolation adéquate contre la chaleur ou une extension suffisamment longue.

3.1.3 Exécution 3

Le thermomètre est installé sur un équipement certifié (transmetteur). Si le thermomètre est marqué par II 2G Ex ia IIC Tx Gb, alors il est conçu pour l'utilisation dans la zone 1 avec un doigt de gant. Pour toute utilisation éventuelle d'un doigt de gant sur la partition vers la zone 0, les autorisations et conditions pour les transmetteurs pertinents doivent être respectées.

► Transmetteurs de température certifiés ATEX/IECEX Ex i

L'évaluation est effectuée avec un courant (4 à 20 mA), une tension (de 0 à 10 V) ou un bus de terrain, qui est généré par un transmetteur de température certifié ATEX/IECEX Ex i.

Utilisation en zone 1, marquage II 2G Ex ia IIC Gb

Le boîtier ou la tête de raccordement se trouve en zone 1 (ou zone 2). Le capteur est positionné en zone 1.

Les marquages principaux pour les types TR12-B et TC12-B se trouvent sur le boîtier de raccordement certifié ou le transmetteur de champ Ex i.

Les modules TR12-M et TC12-M sont marqués à travers une plaque mince sur l'extension. Pour une utilisation éventuelle d'un doigt de gant sur la partition vers la zone 0, les autorisations et conditions pour les transmetteurs de champ Ex i pertinents doivent être respectées.

3.1.4 Utilisation dans les atmosphères contenant du méthane

De par l'écart minimal de sécurité (MESG) et le Courant minimum d'allumage (MIC) du méthane, les instruments peuvent également être utilisés dans des atmosphères gazeuses potentiellement explosives .

U_i = voir agrément du transmetteur pour les tiers

I_i = voir agrément du transmetteur pour les tiers

P_i = voir agrément du transmetteur pour les tiers

L_i = voir agrément du transmetteur pour les tiers

C_i = voir agrément du transmetteur pour les tiers

3. Mise en service, utilisation

3.2 Montage électrique

Si l'on utilise un transmetteur ou un afficheur (en option) :

il faut observer le contenu de la notice d'utilisation ainsi que celle du transmetteur/affichage numérique (voir le détail de la livraison).

Les transmetteurs ou afficheurs intégrés disposent de leur propre certificat d'examen de type CE. Les plages de température ambiante autorisées des transmetteurs intégrés peuvent être prises dans l'agrément du transmetteur correspondant.

FR

Observer les conditions spéciales (voir chapitre 4 "Conditions spécifiques d'utilisation (conditions X)", point 3).

Valeurs de raccordement électrique

■ Caractéristiques électriques sans transmetteur ou écran numérique

Paramètres	Groupe d'instruments II
	Atmosphère gazeuse potentiellement explosive ³⁾
Tension U_i	30 VDC
Courant I_i	550 mA
Puissance P_i (au capteur)	1,5 W ¹⁾
Capacité interne effective C_i des inserts de mesure standard en conformité avec DIN 43735	Négligeable
Conductivité interne effective L_i des inserts de mesure standard en conformité avec of DIN 43735	Négligeable

1) La puissance admissible sur le capteur dépend de la température du fluide T_M , de la classe de température et de la résistance thermique R_{th} , mais ne doit pas dépasser 1,5 W.

Exemples de calcul, voir chapitre 5 "Exemples de calculs pour auto-échauffement à l'extrémité du doigt de gant".

2) La puissance admissible sur le capteur dépend de la température du fluide T_M , de la température de surface maximale admissible et de la résistance thermique R_{th} , mais ne doit pas dépasser les valeurs du "tableau 2" (colonne 2), chapitre 1 "Marquage Ex".

3) Utilisation dans les atmosphères contenant du méthane

À cause de l'énergie d'ignition minimum du méthane qui est plus forte, les instruments peuvent aussi être utilisés là où le méthane crée une atmosphère gazeuse potentiellement explosive.

■ Données électriques avec un transmetteur ou un affichage numérique intégré

U_i = en fonction du transmetteur ou de l'affichage numérique

I_i = en fonction du transmetteur ou de l'affichage numérique

P_i = dans le boîtier : dépend du transmetteur ou de l'affichage numérique

C_i = en fonction du transmetteur ou de l'affichage numérique

L_i = en fonction du transmetteur ou de l'affichage numérique

- Données électriques avec transmetteur incorporé en accord avec le type FISCO
Les transmetteurs ou affichages numériques utilisés pour la gamme d'applications en accord avec le type FISCO sont considérés comme des appareils de champ FISCO.
Les exigences en conformité avec la norme CEI/EN 60079-27 et les conditions de connexion des agréments en accord avec FISCO s'appliquent.

3.3 Classification de classe de température, températures ambiantes

Les températures ambiantes admissibles dépendent de la classe de température, du boîtier utilisé et du transmetteur et/ou de l'affichage numérique intégrés en option.

Lorsqu'un thermomètre est connecté à un transmetteur et/ou à un affichage numérique, la valeur la plus basse de température ambiante ou de la classe de température la plus haute s'appliquera. La limite inférieure de température est -40 °C, et de -50 °C pour les versions spéciales.

Là où il n'y a ni transmetteurs ni afficheurs installés dans le boîtier, il n'y aura pas non plus d'échauffement supplémentaire. Avec un transmetteur incorporé (en option avec affichage numérique), un réchauffement causé par le fonctionnement du transmetteur ou de l'affichage numérique peut se produire.

Pour les applications sans transmetteur (affichages numériques) qui requièrent des instruments du Groupe II (atmosphères gazeuses potentiellement explosives), la classification de température et les plages de température ambiante suivantes s'appliquent :

Classe de température	Plage de température ambiante (T_a)
T1 ... T6	(-50) -40 ... +80 °C

Les températures ambiantes et les températures de surface admissibles pour des produits tiers peuvent être lues dans les approbations récentes et/ou les fiches techniques et doivent être respectées.

Exemple

Pour les instruments équipés d'un transmetteur DIH50 et d'un affichage numérique, par exemple, la limite suivante pour la classification de classe de température s'applique :

Classe de température	Plage de température ambiante (T_a)
T6	-40 ... +55 °C

Les températures ambiantes et les températures de surface admissibles pour des produits tiers peuvent être lues dans les approbations récentes et/ou les fiches techniques et doivent être respectées.

Les valeurs entre parenthèses s'appliquent aux conceptions spéciales. Ces capteurs sont fabriqués en utilisant des composés spéciaux pour l'étanchéité. De plus, ils sont munis de têtes de raccordement en acier inox et de presse-étoupes pour des plages de température basse.

Conformément à cette homologation, ces thermomètres conviennent pour les classes de température T1 à T6. Ceci s'applique aux instruments sans ou avec transmetteurs et/ou affichages numériques intégrés. Assurez-vous de ne pas dépasser la température ambiante maximale pour l'utilisation en toute sécurité de l'instrument.

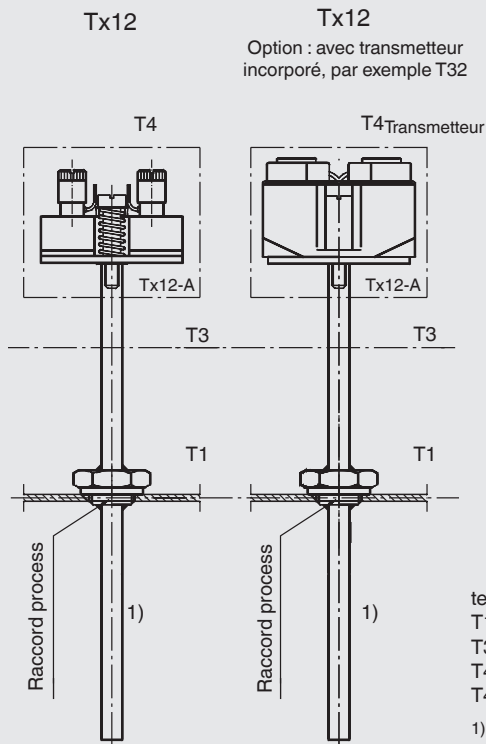
3. Mise en service, utilisation

3.4 Transmission de température depuis le process

Empêcher tout reflux de chaleur en provenance du process !

Observer les conditions spéciales (voir chapitre 4 "Conditions spécifiques d'utilisation (conditions X)", point 4).

3.5 Vue générale des zones de température



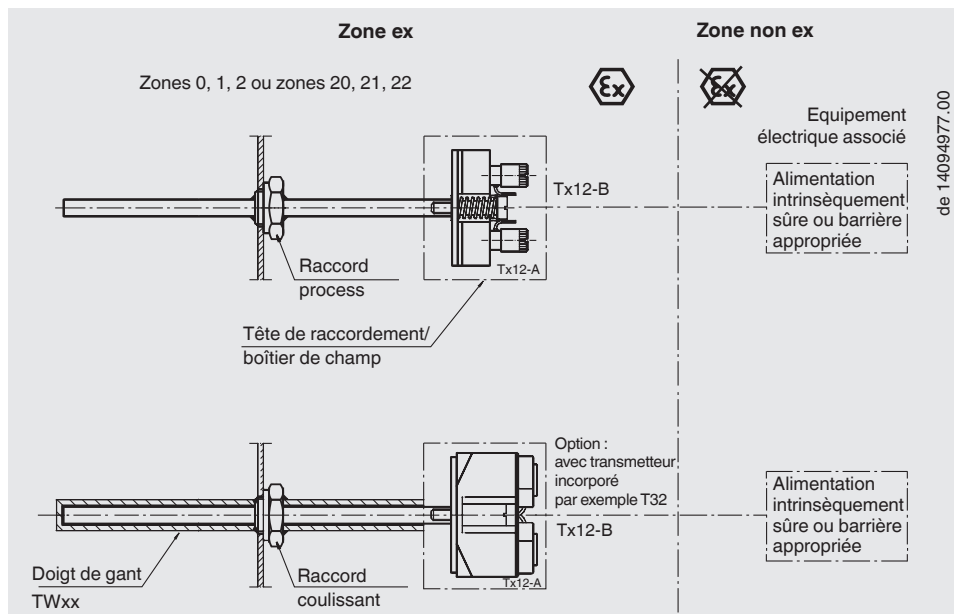
FF-00147.00

températures admissibles sur
T1 : $(-50) -40\text{ °C} < T_a < +300\text{ °C}$
T3 : $(-50) -40\text{ °C} < T_a < +150\text{ °C}$
T4 : $(-50) -40\text{ °C} < T_a < +80\text{ °C}$
T4_{transmetteur} : $(-50) -40\text{ °C} < T_a < +80\text{ °C}$

1) Zone de température non définie

3.6 Exemples d'installation

3.6.1 Méthodes possibles d'installation avec le marquage II 1G Ex ia IIC T6 Ga ou II 1D Ex ia IIIC T65 °C Da



de 14094977.00

FR

Le capteur, avec le boîtier ou la tête de raccordement, se trouve en zone 0 (zone 20). Il faut utiliser un circuit de courant de type Ex ia. Les têtes de raccordement ou les boîtiers en aluminium ne sont en général pas autorisés en zone 0. Sur cette position, WIKA recommande des têtes de raccordement ou des boîtiers en acier inox.

Mesures de protection pour des applications requérant EPL Ga ou Da :

Pour le cas où un boîtier en métal léger est utilisé en zone 0, les mesures de protection suivantes s'appliquent :

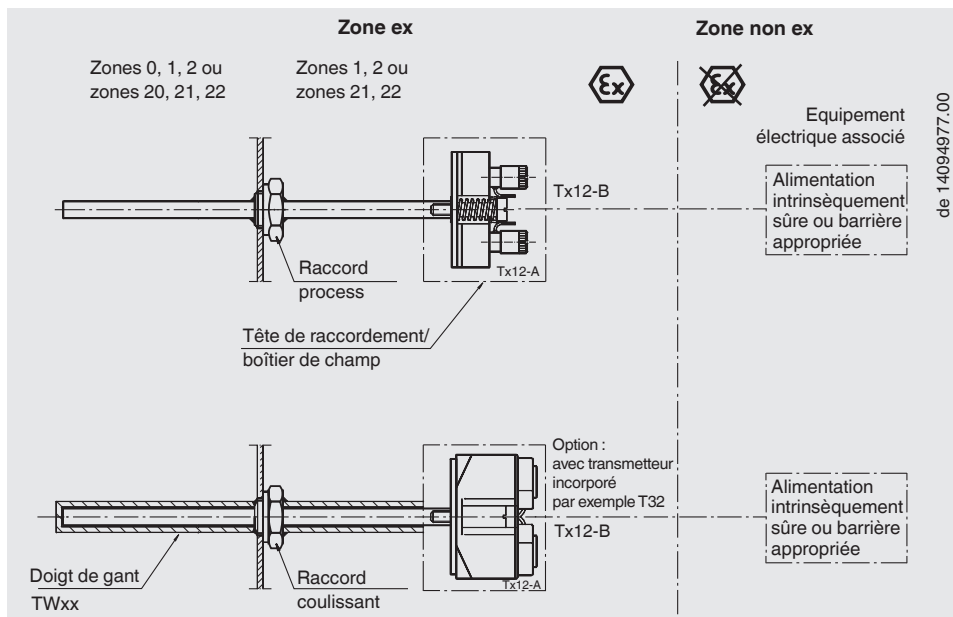
Des frictions ou des impacts causés par l'opérateur entre des composants en métal léger ou leurs alliages (par exemple aluminium, magnésium, titane ou zirconium) et des composants d'instrument en fer/acier ne sont pas autorisés. Des frictions ou des impacts causés par l'opérateur entre des métaux légers ne sont pas autorisés.

Observer les conditions spéciales (voir chapitre 4 "Conditions spécifiques d'utilisation (conditions X)", points 5 et 7).

3. Mise en service, utilisation

3.6.2 Méthodes possibles d'installation avec le marquage

II 1/2G Ex ia IIC T1 ... T6 Ga/Gb ou II 1/2D Ex ia IIIC T65 ... T125 °C Da/Db



L'extrémité du capteur ou du doigt de gant dépasse dans la zone 0. Le boîtier ou la tête de raccordement est en zone 1 (zone 21) ou en zone 2 (zone 22). Un circuit de type Ex ib suffit.

La séparation de zone est garantie si des raccords process suffisamment étanches (IP66 ou IP67) sont utilisés.

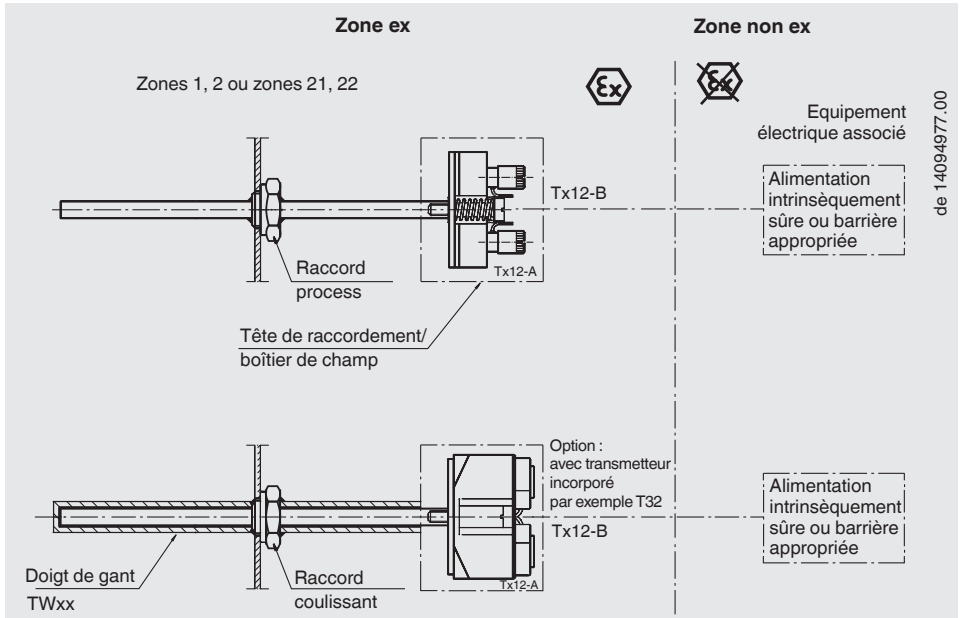
Les exemples de raccords process adéquats comprennent les brides industrielles standardisées étanches aux gaz, les connexions filetées ou les connexions par tuyauterie.

Les raccords process, les doigts de gant ou les boîtiers utilisés doivent être fabriqués de sorte qu'ils résistent à toutes les variables, telles que la température, les forces de flux, la pression, la corrosion, la vibration et les chocs.

3. Mise en service, utilisation

3.6.3 Méthodes possibles d'installation avec le marquage

II 2G Ex ia IIC T1 ... T6 Gb ou II 2D Ex ia IIIC T65 °C ... T125 °C Db




3.6.4 Partition pour un usage en zone 0 ou zone 1/2 ou séparation entre zone explosive et zone non explosive

Si la paroi a une épaisseur de moins d'un mm, l'instrument doit aussi être marqué avec un "X" ou une instruction de sécurité en conformité avec 29.2 de CEI/EN 60079-0, avec la condition spéciale que, pour un usage en toute sécurité, il ne doit pas être soumis aux contraintes ambiantes qui pourraient avoir un effet négatif sur la partition. Si la partition est constamment soumise à des vibrations (par exemple des membranes qui vibrent), sa limite de fatigue à l'amplitude maximale doit être énoncée dans la documentation (voir section 4.2.5.2, CEI/EN 60079-26).

Observer les conditions spéciales (voir chapitre 4 "Conditions spécifiques d'utilisation (conditions X)", point 5).

Comme alternative, un doigt de gant ayant une épaisseur de paroi convenable peut être utilisée par le client. Pour ceci, il faut observer les conditions spéciales (voir chapitre 4 "Conditions spécifiques d'utilisation (conditions X)", point 6).

4. Conditions spécifiques d'utilisation (conditions X)

- 1) Les versions avec $\varnothing < 3$ mm ou "points de mesure mis à la terre" ne sont pas conformes à la clause 6.3.13 de CEI/EN 60079-11 en raison du type d'utilisation. De ce point de vue relatif à la sécurité, ces circuits sécurité intrinsèque seront considérés comme raccordés galvaniquement ("quasi non isolé" ) au potentiel de terre. L'égalisation de potentiel existera dans le déroulement complet de la construction des circuits à sécurité intrinsèque. En outre, pour la connexion, il faudra prendre en compte les exigences de CEI/EN 60079-14.
- 2) Pour les instruments qui ne sont pas conformes par rapport aux exigences électrostatiques de CEI/EN 60079-0 et de CEI/EN 60079-26 en raison de leur construction, il faudra éviter les charges électrostatiques.
- 3) Les transmetteurs et les affichages numériques utilisés doivent disposer de leur propre certification de type CE en conformité avec CEI. Les conditions d'installation, les valeurs de raccordement électrique, les classes de température en fonction des températures de surface maximales des appareils devant être utilisés dans des atmosphères poussiéreuses explosives et la température ambiante autorisée doivent être reprises par la certification type CE correspondante et doivent être prises en considération.
- 4) Un reflux de chaleur en provenance du process qui excède la température ambiante admissible du transmetteur, de l'affichage numérique ou du boîtier n'est pas autorisé et pourra être évité par une isolation thermique convenable ou une longueur d'extension convenable de la tuyauterie.
- 5) Dans le cas d'une épaisseur de paroi inférieure à 1 mm, l'instrument ne doit pas être exposé à des conditions ambiantes qui pourraient affecter la paroi de séparation de manière négative. On peut aussi utiliser un doigt de gant ayant une épaisseur minimale de paroi convenable.
- 6) Dans le cas de l'utilisation d'un doigt de gant ou d'une extension, l'instrument sera construits d'une manière qui permette une installation qui offre un joint suffisamment étanche (IP66 ou IP67) ou un joint antidéflagrant (CEI/EN 60079-1) dans la direction de la zone moins dangereuse.
- 7) *Ne s'applique pas à cet instrument (voir les conditions X dans le certificat d'examen type CE)*

4. Conditions spécifiques d'utilisation (conditions X)

- 8) En ce qui concerne l'utilisation de boîtiers, il devront soit être munis de leur propre certificat d'examen type CE, soit se conformer aux exigences minimales.
Protection IP : au moins IP20 (au moins IP6x pour la poussière), s'applique à tous les boîtiers.
Cependant, les boîtiers en métal léger doivent se conformer aux clauses 8.3 et 8.4 de CEI/EN 60079-0. Les boîtiers non-métalliques ou recouverts de poudre devront aussi se conformer à la clause 7.4 de CEI/EN 60079-0 ou être munis d'un marquage d'avertissement correspondant.
- 9) Les parties accessibles des boîtiers métalliques qui ne sont pas reliés à la terre et les parties accessibles des boîtiers métalliques qui sont reliés à la terre mais ne se conforment pas à la clause 6.5 de CEI/EN 60079-11 devront se conformer à la clause 7.5 de CEI/EN 60079-0 ou être munis d'un marquage d'avertissement correspondant.
- 10) Dans le cas où il est impraticable d'inclure la plage de température ambiante dans le marquage de l'instrument parce que l'instrument est un petit instrument au sens de 29.10 de CEI/EN 60079-0, la plage de température ambiante sera spécifiée dans le manuel qui est fourni. Si l'instrument n'est pas un petit instrument selon 29.10 de CEI/EN 60079-0 et si la plage de température ambiante n'est pas comprise dans le marquage, le marquage devra en plus inclure un marquage conseillant de se référer au manuel fourni avec l'appareil.

Mesures de protection pour des applications requérant EPL Ga ou Da :

Des frictions ou des impacts causés par l'opérateur entre des composants en métal léger ou leurs alliages (par exemple aluminium, magnésium, titane ou zirconium) et des composants d'instrument en fer/acier ne sont pas autorisés. Des frictions ou des impacts causés par l'opérateur entre des métaux légers ne sont pas autorisés.

FR

5. Exemples de calculs pour auto-échauffement à l'extrémité du doigt de gant

L'auto-échauffement à l'extrémité du doigt de gant dépend du type de capteur (TC/RTD), du diamètre de l'élément de mesure et de l'exécution du doigt de gant. Le tableau ci-dessous montre les combinaisons possibles. Le chauffage à l'extrémité du capteur de l'élément de mesure est nettement supérieur, la représentation de ces valeurs a été omise en raison de l'installation requise avec un doigt de gant.

Le tableau montre que lorsqu'une erreur se produit, les thermocouples produisent un auto-échauffement sensiblement inférieur à celui des sondes à résistance.

Résistance thermique [R_{th} en K/W]

Type de capteur	RTD		TC	
	3,0 - < 6,0	6,0 - ≤ 8,0	3,0 - < 6,0	6,0 - ≤ 8,0
Avec doigt de gant fabriqué (coniques et droits), par exemple TW35, TW40 etc.	60	37	11	2,5
avec doigt de gant - matériau solide (coniques et droits), par exemple TW10, TW15, TW20, TW25, TW30 etc.	22	16	4	1
Construit dans un trou borgne (épaisseur minimale de la paroi 5 mm)	22	16	4	1

5.1 Exemple de calcul pour l'exécution 2 avec capteur TC

Dans les mêmes conditions, la valeur est inférieure pour l'auto-échauffement parce que la puissance alimentée n'est pas convertie seulement à l'extrémité du capteur, mais plutôt sur toute la longueur de l'insert de mesure.

Résistance thermique [R_{th} en K/W] du tableau = 3 K/W

Auto-échauffement : $0,8 \text{ W} * 3 \text{ K/W} = 2,4 \text{ K}$

$T_{max} = T_M + \text{auto-échauffement} : 150 \text{ °C} + 2,4 \text{ °C} = 152,4 \text{ °C}$

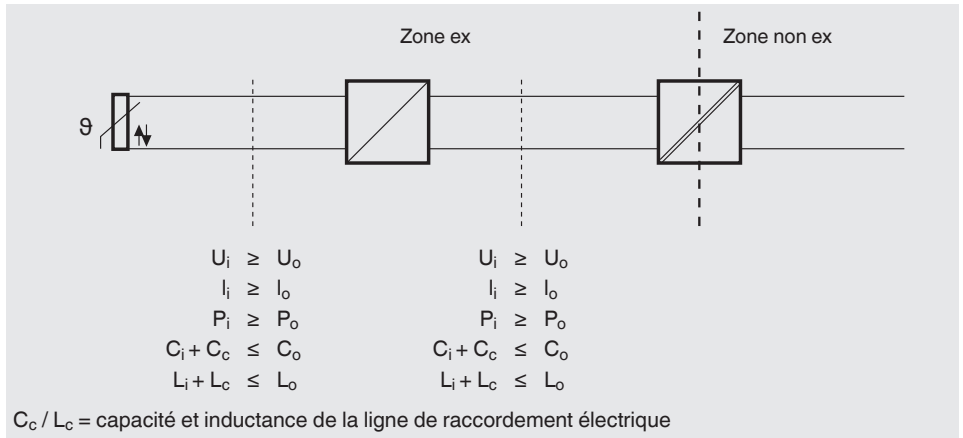
Comme marge de sécurité pour des instruments certifiés (pour T6 à T3), 5 °C supplémentaires doivent être déduits des 200 °C ; 195 °C seraient donc acceptables. Cela signifie que, dans ce cas, la classe de température T3 n'est pas dépassée.

Il est évident dans cet exemple que l'auto-échauffement ici est presque négligeable.

5. Exemples de calculs pour auto-échauffement à ...

5.3 Attestation de sécurité intrinsèque

Capteur avec transmetteur et barrière



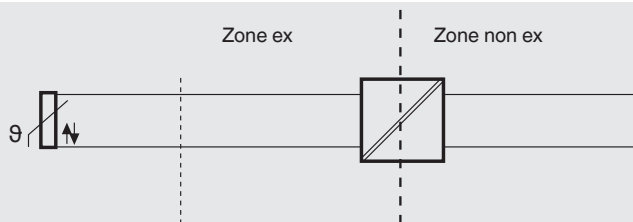
FR

Vérification simplifiée de la sécurité intrinsèque pour la combinaison mentionnée ci-dessus

Insert de mesure	Transmetteur monté en tête	Barrière isolée
$U_i : 30 \text{ VDC}$	$\geq U_o : 6,5 \text{ VDC}$	$U_i : 30 \text{ VDC}$
$I_i : 550 \text{ mA}$	$\geq I_o : 9,3 \text{ mA}$	$\geq I_o : 88,2 \text{ mA}$
$P_i \text{ (max) sur le capteur} = 1,5 \text{ W}$	$\geq P_o : 15,2 \text{ mW}$	$\geq P_o : 560 \text{ mW}$
$C_i : \text{négligeable}$	$\leq C_o : 24 \mu\text{F}$	$\leq C_o : 93 \text{ nF}$
$L_i : \text{négligeable}$	$\leq L_o : 365 \text{ mH}$	$\leq L_o : 2,7 \text{ mH}$

En comparant ces valeurs, il est évident qu'il est admissible de connecter ces instruments entre eux. Cependant, l'opérateur doit aussi prendre en compte les valeurs pour la conductivité et la capacité des lignes de raccordement électrique.

Capteur sans transmetteur, avec barrière



$$\begin{aligned}
 U_i &\geq U_o \\
 I_i &\geq I_o \\
 P_i &\geq P_o \\
 C_i + C_c &\leq C_o \\
 L_i + L_c &\leq L_o
 \end{aligned}$$

C_c / L_c = capacitance et inductance du câble de connexion électrique

Vérification simplifiée de la sécurité intrinsèque pour la combinaison mentionnée ci-dessus

Insert de mesure		Barrière Zener Z954	
U_i : 30 VDC	\geq	U_o : 9 VDC	U_m : 250 VAC
I_i : 550 mA	\geq	I_o : 510 mA	I_i : n/a
P_i (max) sur le capteur = 1,5 W	\geq	P_o : 1.150 mW	P_i : n/a
C_i : négligeable	\leq	C_o : 4,9 μ F	C_i : n/a
L_i : négligeable	\leq	L_o : 0,12 mH	L_i : n/a

n/a = non applicable

En comparant ces valeurs, il est évident qu'il est admissible de connecter ces instruments entre eux. Cependant, l'opérateur doit aussi prendre en compte les valeurs pour la conductivité et la capacité des lignes de raccordement électrique.

Ces calculs s'appliquent à la barrière Zener Z954 en connexion avec une sonde à résistance Pt100 en mode 3 fils sans mise à la terre, c'est-à-dire fonctionnement symétrique de la sonde à résistance dans un circuit 3 fils sur un appareil d'affichage ou d'évaluation.



EU-Konformitätserklärung EU Declaration of Conformity

Dokument Nr.: 14031790.04
Document No.:




Wir erklären in alleiniger Verantwortung, dass die mit CE gekennzeichneten Produkte
We declare under our sole responsibility that the CE marked products

Typenbezeichnung: TR12-B-ZZ⁽¹⁾, TC12-B-ZZ⁽¹⁾
Type Designation: TR12-B-^aI⁽¹⁾, (2), (4), TR12-M-^aI⁽¹⁾, (2), (4), TC12-B-^aI⁽¹⁾, (2), (4), TC12-M-^aI⁽¹⁾, (2), (4)
TR12-B-^aD⁽¹⁾, (3), TR12-M-^aD⁽¹⁾, (3), TC12-B-^aD⁽¹⁾, (3), TC12-M-^aD⁽¹⁾, (3)

Beschreibung: Prozessthermometer Typ TR12 und TC12 zum Einbau in ein Schutzrohr
Description: Process thermometer model TR12 and TC12 for additional thermowell

gemäß gültigem Datenblatt:
according to the valid data sheet: TE 60.17, TE 65.17

die wesentlichen Schutzanforderungen der folgenden Richtlinien erfüllen:
comply with the essential protection requirements of the directives: Harmonisierte Normen:
Harmonized standards:

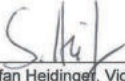
2011/65/EU	Gefährliche Stoffe (RoHS) Hazardous substances (RoHS)	EN 50581:2012
2014/30/EU	Elektromagnetische Verträglichkeit (EMV) ⁽¹⁾ Electromagnetic Compatibility (EMC) ⁽¹⁾	
2014/34/EU	Explosionsschutz (ATEX) ^{(2), (3), (4)} Explosion protection (ATEX) ^{(2), (3), (4)}	
	II 1G Ex ia IIC T1, T2, T3, T4, T5, T6 Ga or II 1/2G Ex ia IIC T1, T2, T3, T4, T5, T6 Ga/Gb or II 2G Ex ia IIC T1, T2, T3, T4, T5, T6 Gb or II 2G Ex ib IIC T1, T2, T3, T4, T5, T6 Gb	(2) EN 60079-0:2012 +A11:2013 EN 60079-11:2012 EN 60079-26:2015
	II 2G Ex db IIC T6-T1 Gb or II 1/2G Ex db IIC T6-T1 Ga/Gb or II 2G Ex db IIC Gb	(3) EN 60079-0:2012 +A11:2013 EN 60079-1:2014 EN 60079-26:2015
	II 3G Ex ic IIC T1, T2 T3, T4, T5, T6 Gc	(4) EN 60079-0:2012 +A11:2013 EN 60079-11:2012

- (1) Für optional eingebaute Transmitter oder Anzeigen gelten deren EU-Konformitätserklärungen und die darin gelisteten Normen
For optional built-in transmitters and indicators their respective EU declarations of conformity and the therein listed standards apply
- (2) EG-Baumusterprüfbescheinigung TÜV 10 ATEX 555793 X von TÜV NORD CERT GmbH, D-45141 Essen (Reg.-Nr. 0044)
EC type-examination certificate TÜV 10 ATEX 555793 X of TÜV NORD CERT GmbH, D-45141 Essen (Reg. no. 0044)
- (3) EU-Baumusterprüfbescheinigung BVS 07 ATEX E 071 X von DEKRA EXAM GmbH, D-44809 Bochum (Reg. Nr. 0158)
EU type examination certificate BVS 07 ATEX E 071 X of DEKRA EXAM GmbH, D-44809 Bochum (Reg. No. 0158)
- (4) Modul A, interne Fertigungskontrolle
Module A, internal control of production

Unterzeichnet für und im Namen von / Signed for and on behalf of

WIKAL Alexander Wiegand SE & Co. KG

Klingenberg, 2017-07-11


Stefan Heidinger, Vice President
Electrical Temperature Measurement


Franz-Josef Vogel, Executive Vice President
Process Instrumentation

WIKAL Alexander Wiegand SE & Co. KG
Alexander-Wiegand-Straße 30
63911 Klingenberg
Germany

Tel. +49 9372 132-0
Fax +49 9372 132-406
E-Mail: info@wika.de
www.wika.de

Kommanditgesellschaft: Sitz Klingenberg –
Amtsgericht Aschaffenburg HRA 1819
Komplementärin: WIKAL Verwaltung SE & Co. KG –
Sitz Klingenberg – Amtsgericht Aschaffenburg
HRA 4685

Komplementärin:
WIKAL International SE - Sitz Klingenberg -
Amtsgericht Aschaffenburg HRB 10506
Vorstand: Alexander Wiegand
Vorsitzender des Aufsichtsrats: Dr. Max Egl

Contenido

1. Marcaje Ex	70
2. Seguridad	72
3. Puesta en servicio, funcionamiento	74
4. Condiciones especiales para la utilización (X-Conditions)	84
5. Ejemplos de cálculo para el calentamiento propio en la punta de la vaina	86
Anexo: Declaración de conformidad UE	89

ES

Declaraciones de conformidad puede encontrar en www.wika.es.

1. Marcaje Ex

Documentación complementaria:

- ▶ Esta información adicional para zonas potencialmente explosivas se aplica en relación con el manual de instrucciones "Termorresistencias TR12 y termopares" TC12 (código 14064370).

1. Marcaje Ex

ES



¡PELIGRO!

Peligro de muerte debido a la pérdida de la protección contra explosiones

La inobservancia del contenido y de las instrucciones puede originar la pérdida de la protección contra explosiones.

- ▶ Observe las instrucciones de seguridad en este capítulo y otros avisos sobre peligros de explosión en este manual de instrucciones.
- ▶ Tener en cuenta los requisitos de la directiva ATEX.
- ▶ Cumplir las indicaciones del certificado de tipo vigente así como las respectivas normativas sobre la instalación y el uso en atmósferas potencialmente explosivas (p. ej. IEC 60079-11, IEC 60079-10 y IEC60079-14).

Compruebe idoneidad de la clasificación para la aplicación. Tenga en consideración las respectivas leyes y reglamentos nacionales.

ATEX

IECEX

- | | |
|---------|----------------------------|
| II 1G | Ex ia IIC T1 ... T6 Ga |
| II 1/2G | Ex ia IIC T1 ... T6 Ga/Gb |
| II 2G | Ex ia IIC T1 ... T6 Gb |
| | |
| II 1D | Ex ia IIIC T1 ... T6 Da |
| II 1/2D | Ex ia IIIC T1 ... T6 Da/Db |
| II 2D | Ex ia IIIC T1 ... T6 Db |

1. Marcaje Ex

Para utilizaciones sin transmisor (indicadores digitales) que requieren instrumentos del grupo II (atmósferas gaseosas potencialmente explosivas) rige la siguiente división en clases de temperatura y rangos de temperatura ambiente:

Tabla 1

Marcado		Clase de temperatura	Rango de temperaturas ambientes (T_a)	Temperatura superficial máxima (T_{max}) en la punta de sensores o vainas
ATEX	IECEx			
II 1G	Ex ia IIC T1 ... T6 Ga	T1 ... T6	(-50) ¹⁾ -40 ... +80 °C	T_M (temperatura del medio) + Auto-calentamiento Para ello deben tenerse en cuenta las condiciones especiales (véase el capítulo 4 "Condiciones especiales para la utilización (X-Conditions)").
II 1/2G	Ex ia IIC T1 ... T6 Ga/Gb			
II 2G	Ex ia IIC T1 ... T6 Gb			

ES

Para aplicaciones que requieren instrumentos del grupo II (atmósferas polvorientas potencialmente explosivas) rigen las siguientes temperaturas superficiales y rangos de temperatura ambiente:

Tabla 2

Marcado		Potencia P_i	Rango de temperaturas ambientes (T_a)	Temperatura superficial máxima (T_{max}) en la punta de sensores o vainas
ATEX	IECEx			
II 1D	Ex ia IIIC T1 ... T6 Da	750 mW	(-50) ¹⁾ -40 ... +40 °C	T_M (temperatura del medio) + Auto-calentamiento Para ello deben tenerse en cuenta las condiciones especiales (véase el capítulo 4 "Condiciones especiales para la utilización (X-Conditions)").
II 1/2D	Ex ia IIIC T1 ... T6 Da/Db			
II 2D	Ex ia IIIC T1 ... T6 Db			
II 1D	Ex ia IIIC T1 ... T6 Da	650 mW	(-50) ¹⁾ -40 ... +70 °C	T_M (temperatura del medio) + Auto-calentamiento Para ello deben tenerse en cuenta las condiciones especiales (véase el capítulo 4 "Condiciones especiales para la utilización (X-Conditions)").
II 1/2D	Ex ia IIIC T1 ... T6 Da/Db			
II 2D	Ex ia IIIC T1 ... T6 Db			
II 1D	Ex ia IIIC T1 ... T6 Da	550 mW	(-50) ¹⁾ -40 ... +80 °C	T_M (temperatura del medio) + Auto-calentamiento Para ello deben tenerse en cuenta las condiciones especiales (véase el capítulo 4 "Condiciones especiales para la utilización (X-Conditions)").
II 1/2D	Ex ia IIIC T1 ... T6 Da/Db			
II 2D	Ex ia IIIC T1 ... T6 Db			

Para el montaje de un transmisor y/o un indicador digital rigen las condiciones especiales del certificado de tipo (véase el capítulo 4 "Condiciones especiales para la utilización (X-Conditions)").

1) Los valores entre paréntesis rigen para modelos especiales. Estos sensores son fabricados con masas de relleno especiales. Además, son dotados de cajas de acero al cromo-níquel y de prensaestopas para cables adecuados para temperaturas bajas.

Aplicación en atmósferas de metano

Debido a la mayor corriente mínima de ignición (CMI) del metano, los instrumentos pueden utilizarse también en atmósferas gaseosas potencialmente explosivas provocadas por ello. El instrumento puede llevar opcionalmente la marca IIC + CK4.

Para aplicaciones que requieren EPL Gb o Db, pueden utilizarse los instrumentos marcados con "ia" también en los circuitos de medición de tipo "ib".

2. Seguridad

ES

2.1 Explicación de símbolos



¡PELIGRO!

... señala una situación de peligro potencial en la zona potencialmente explosiva, lo que puede provocar la muerte o lesiones graves si no se evita.

2.2 Uso conforme a lo previsto

Los termómetros aquí descritas son aptas para la medición de temperatura en zonas potencialmente explosivas.

La inobservancia de la información para su uso en zonas potencialmente explosivas conduce a la pérdida de la protección contra explosiones. Observar los valores límite y las indicaciones técnicas (véase la hoja técnica).

2.3 Responsabilidad del usuario

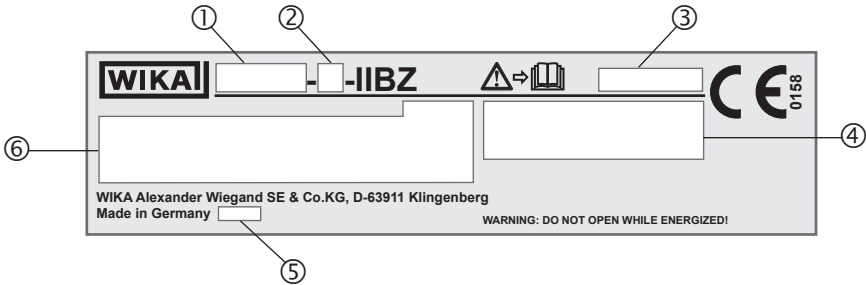
La responsabilidad para la clasificación de zonas le corresponde a la empresa explotadora/operadora de la planta y no al fabricante/proveedor de los equipos eléctricos.

2.4 Cualificación del personal

Los electricistas profesionales deben tener conocimientos sobre los tipos de protección contra incendios, los reglamentos y las directivas referente a equipos en zonas potencialmente explosivas.

2.5 Rótulos, marcajes de seguridad

Placa de identificación (ejemplo)






- ① Modelo
- ② A = Unidad extraíble
B = Termómetro de proceso
M = Módulo básico
- ③ Número de serie
- ④ Datos relevantes de la homologación
- ⑤ Año de fabricación
- ⑥ ■ Datos de versión (elemento de medición, rango de medición...)

Sensor conforme a la norma (termorresistencia)

- F = Sensor de película delgada
- W = Sensor bobinado

Sensor conforme a la norma (termopar)

- sin conexión a tierra  = soldado aislado
- con conexión a tierra  = soldado en la funda (conectado a tierra)
- en principio puesto a tierra  = El termómetro debe considerarse como puesto a tierra debido a distancias de aislamiento mínimas entre sensor de resistencia eléctrica y revestimiento.

- Modelo de transmisor (sólo en la variante con transmisor)



¡Es absolutamente necesario leer el manual de instrucciones antes del montaje y la puesta en servicio del instrumento!

3. Puesta en servicio, funcionamiento

3. Puesta en servicio, funcionamiento



¡PELIGRO!

Riesgo de muerte por explosión

Al utilizar la unidad de medida extraíble sin un cabezal apto (caja) existe riesgo de explosión que puede llevar a la muerte.

- Utilizar la unidad de medida extraíble únicamente en el cabezal previsto para este fin.



¡PELIGRO!

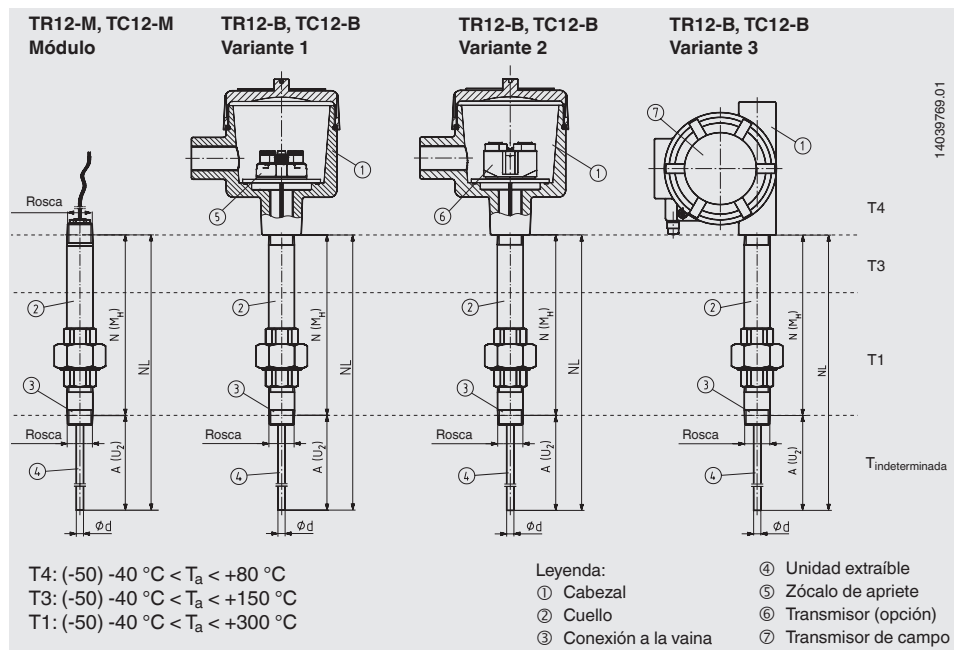
Riesgo de muerte en caso de falta de puesta a tierra del instrumento

En caso de puesta a tierra inexistente o incorrecta del instrumento existe el riesgo de tensión peligrosa (causada por ej. por daños mecánicos, carga electrostática o inducción).

- ¡Poner a tierra el termómetro!

Observar las condiciones especiales (véase el capítulo 4 “Condiciones especiales para la utilización (X-Conditions)”, punto 2).

3.1 Indicaciones de seguridad para las distintas variantes



3.1.1 Variante 1

El termómetro está montado en una caja vacía certificada, en la que está instalada una regleta de terminales. Si el termómetro está identificado con II 2G Ex ia IIC T1 ... T6 Gb, está previsto para el uso en zona 1. Si el termómetro está identificado con II 1/2G Ex ia IIC T1 ... T6 Ga/Gb, está previsto para el uso en la pared divisoria de la zona 0 con una vaina.

► Caja o cabezal de conexión ATEX/IECEX (con borne de conexión, sin transmisor). Evaluación de la resistencia o de la tensión térmica mediante un sistema electrónico fuera de la zona potencialmente explosiva.

Uso en zona 1, marcaje II 2G Ex ia IIC T1 ... T6 Gb

La caja o el cabezal de conexión se encuentran en la zona 1 (o zona 2). El sensor se encuentra en la zona 1.

Uso en la pared divisoria de la zona 0, marcaje II 1/2G Ex ia IIC T1 ... T6 Ga/Gb.

La caja o el cabezal de conexión se encuentran en la zona 1 (o zona 2). El sensor se encuentra dentro de una vaina de protección (espesor de pared min. 1 mm), la que sobresale en la zona 0 mediante una conexión a proceso.

Una alimentación con circuitos Ex ia cumple estas condiciones. La empresa operadora asume la responsabilidad sobre ello.

Las temperaturas ambiente admisibles de productos de terceros las deben consultarse en las respectivas homologaciones y hojas técnicas.

En la variante 1 no se produce ningún calentamiento del cabezal. Sin embargo, debe impedirse un reflujó térmico no permitido proveniente del proceso, que supere la temperatura de trabajo o la clase de temperatura del transmisor o de la caja, mediante un aislamiento térmico adecuado o un tubo de cuello suficientemente largo.

3. Puesta en servicio, funcionamiento

3.1.2 Variante 2

El termómetro está montado en una caja vacía certificada, en la que está instalada un sistema electrónico. Si el termómetro está identificado con II 2G Ex ia IIC T1 ... T6 Gb, está previsto para el uso en zona 1. Si el termómetro está identificado con II 1/2G Ex ia IIC T1 ... T6 Ga/Gb, está previsto para el uso en la pared divisoria de la zona 0 con una vaina.

► Caja o cabezal de conexión ATEX/IECEx Ex ia con transmisor de cabezal incorporado. La evaluación se realiza mediante una señal de corriente (4 ... 20 mA), de tensión (0 ... 10 V) o de bus de campo, generada por un transmisor de cabezal.

Uso en zona 1, marquee II 2G Ex ia IIC T1 ... T6 Gb

La caja o el cabezal de conexión se encuentran en la zona 1 (o zona 2). El sensor se encuentra en la zona 1.

Uso en la pared divisoria de la zona 0, marquee II 1/2G Ex ia IIC T1 ... T6 Ga/Gb.

La caja o el cabezal de conexión se encuentran en la zona 1 (o zona 2). El sensor se encuentra dentro de una vaina de protección (espesor de pared min. 1 mm), la que sobresale en la zona 0 mediante una conexión a proceso.

El termómetro debe operarse con una conmutación limitadora de potencia.

P_{\max} : 1,5 W

U_{\max} : 30 V

Una alimentación con circuitos Ex ia cumple estas condiciones. La empresa operadora asume la responsabilidad sobre ello.

En la variante 2 puede producirse un calentamiento en el cabezal de conexión debido a un sistema electrónico fallido. Las temperaturas ambiente se rigen por las cajas utilizadas y del transmisor de cabezal incorporado adicionalmente.

Un reflujo térmico no permitido proveniente del proceso, que supere la temperatura de servicio del transmisor o de la caja, debe evitarse mediante un aislamiento térmico adecuado o un tubo de cuello suficientemente largo.

3.1.3 Variante 3

El termómetro está montado en un dispositivo (transmisor) certificado. Si el termómetro está identificado con II 2G Ex ia IIC Tx Gb, está previsto para el uso en la zona 1 con una vaina. Para un eventual uso en la pared divisoria de la zona 0 con una vaina deben observarse las homologaciones y condiciones del respectivo transmisor.

► Transmisores de temperatura con certificado ATEX/IECEx Ex i

La evaluación se realiza mediante una señal de corriente (4 ... 20 mA), de tensión (0 ... 10 V) o de bus de campo, generada por un transmisor de temperatura con certificado ATEX/IECEx Ex i.

Uso en zona 1, marcaje II 2G Ex ia IIC Gb

La caja o el cabezal de conexión se encuentran en la zona 1 (o zona 2). El sensor se encuentra en la zona 1.

La marcación modelo TR12-B, TC12-B se encuentra en la caja de conexión certificada o en el transmisor de campo Ex i, respectivamente.

Los módulos TR12-M y TC12-M están marcados mediante una placa adhesiva en el cuello.

Para un eventual uso en la pared separatoria de la zona 0 con una vaina deben observarse las homologaciones es y condiciones del respectivo transmisor de campo Ex i.

3.1.4 Aplicación en atmósferas de metano

Debido al mayor ancho límite de holgura (MESG) y a la mayor corriente de ignición (MIC) del metano, los instrumentos pueden utilizarse también en atmósferas de gases potencialmente explosivos generadas por ello.

U_i = véase homologación del transmisor de terceros

l_i = véase homologación del transmisor de terceros

P_i = véase homologación del transmisor de terceros

L_i = véase homologación del transmisor de terceros

C_i = véase homologación del transmisor de terceros

3. Puesta en servicio, funcionamiento

3.2 Montaje eléctrico

Uso de un transmisor/indicador digital (opcional):

Observar el manual de instrucciones del transmisor/indicador digital (ver de suministro).

Los transmisores/indicadores digitales montados tienen un certificado CE de tipo propio. Para consultar las temperaturas ambientales admisibles de los transmisores montados, consulte las aprobaciones correspondientes de los transmisores.

Observar las condiciones especiales (véase el capítulo 4 “Condiciones especiales para la utilización (X-Conditions)”, punto 3).

Potencia eléctrica de conexión

■ Datos eléctricos sin transmisor o indicador digital montado

Características	Grupo de dispositivos II
	Atmósfera gaseosa potencialmente explosiva ³⁾
Tensión U_i	DC 30 V
Intensidad de corriente I_i	550 mA
Potencia P_i (en el sensor)	1,5 W ¹⁾
Capacidad interna efectiva C_i de unidades de medida extraíbles estándares según DIN 43735	Despreciable
Inductividad interna efectiva L_i de unidades de medida extraíbles estándares según DIN 43735	Despreciable

1) La potencia admisible para el sensor depende de la temperatura del medio T_M , de la clase de temperatura y de la resistencia térmica R_{th} , sin embargo como máximo 1,5 W.
Para ejemplos de cálculo véase el capítulo 5 “Ejemplos de cálculo para el calentamiento propio en la punta de la vaina”.

2) La potencia admisible para el sensor depende de la temperatura del medio T_M , de la temperatura superficial máxima permitida y de la resistencia térmica R_{th} , sin embargo como máximo los valores de la “Tabla 2” (columna 2), capítulo 1 “Marcaje Ex”.

3) Utilización en atmósferas de metano
Debido a la mayor energía mínima de ignición del metano, los instrumentos pueden utilizarse también en atmósferas gaseosas potencialmente explosivas provocadas por ello.

■ Datos eléctricos con transmisor o indicador digital montado

U_i = en dependencia del transmisor/indicador digital

I_i = en dependencia del transmisor/indicador digital

P_i = en la caja: en dependencia del transmisor/indicador digital

C_i = en dependencia del transmisor/indicador digital

L_i = en dependencia del transmisor/indicador digital

3. Puesta en servicio, funcionamiento

- Datos eléctricos con transmisor incorporado según el modelo FISCO
Los transmisores/indicadores digitales utilizados para el campo de aplicación correspondiente al modelo FISCO se consideran como instrumentos de campo FISCO. Rigen los requerimientos según EN/IEC 60079-27 y las condiciones de conexión de las homologaciones conforme a FISCO.

3.3 División en clases de temperatura, temperaturas ambiente

Las temperaturas ambiente permitidas están determinadas por la clase de temperatura, las cajas utilizadas y los transmisores y/o indicadores digitales opcionalmente incorporados.

En la interconexión de un termómetro con un transmisor y/o un indicador digital rigen el respectivo valor inferior de los límites de temperatura ambiente y la clase de temperatura de la mayor cifra. El límite inferior de temperatura es de -40 °C y para modelos especiales -50 °C .

Si en la caja no está montado ningún transmisor o indicador digital, no se produce un calentamiento adicional. Con un transmisor incorporado (opcionalmente con indicador digital) puede producirse un calentamiento inducido por el propio funcionamiento, originado por el transmisor o el indicador digital.

Para utilizaciones sin transmisor (indicadores digitales) que requieren instrumentos del grupo II (atmósferas gaseosas potencialmente explosivas) rige la siguiente división en clases de temperatura y rangos de temperatura ambiente:

Clase de temperatura	Rango de temperaturas ambientes (T_a)
T1 ... T6	$(-50) -40 \dots +80\text{ °C}$

Informarse sobre las temperaturas ambiente y de superficie homologadas de otros fabricantes en las respectivas homologaciones y/o hojas técnicas y observarlas.

Ejemplo

Para instrumentos con transmisor e indicador digital DIH50 rige, por ejemplo, la siguiente limitación de la división en clases de temperatura:

Clase de temperatura	Rango de temperaturas ambientes (T_a)
T6	$-40 \dots +55\text{ °C}$

Informarse sobre las temperaturas ambiente y de superficie homologadas de otros fabricantes en las respectivas homologaciones y/o hojas técnicas y observarlas.

Los valores entre paréntesis rigen para modelos especiales. Estos sensores son fabricados con masas de relleno especiales. Además, son dotados de cabezales de acero inoxidable y de prensaestopas para cables adecuados para temperaturas bajas.

ES

3. Puesta en servicio, funcionamiento

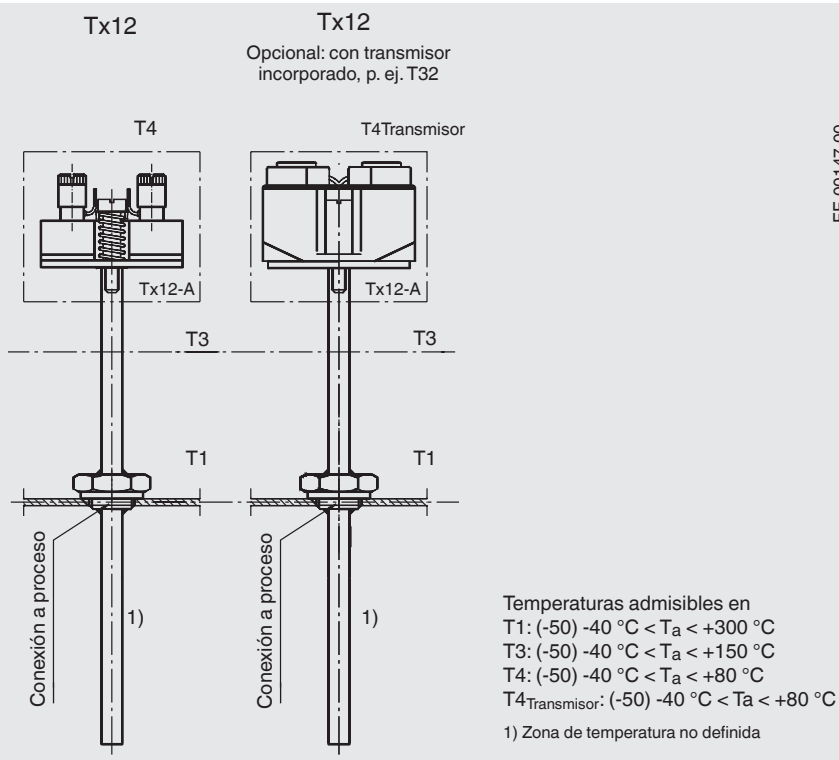
De acuerdo a la homologación, estos termómetros son apropiados para las clases de temperatura T1 ... T6. Esto vale para instrumentos con o sin transmisor incorporado y/o indicadores digitales. En este caso, asegurarse de que no se supere la temperatura ambiente máxima para el funcionamiento seguro del dispositivo.

3.4 Arrastre de temperatura del proceso

¡Evitar el flujo térmico proveniente del proceso!

Observar las condiciones especiales (véase el capítulo 4 “Condiciones especiales para la utilización (X-Conditions)”, punto 4).

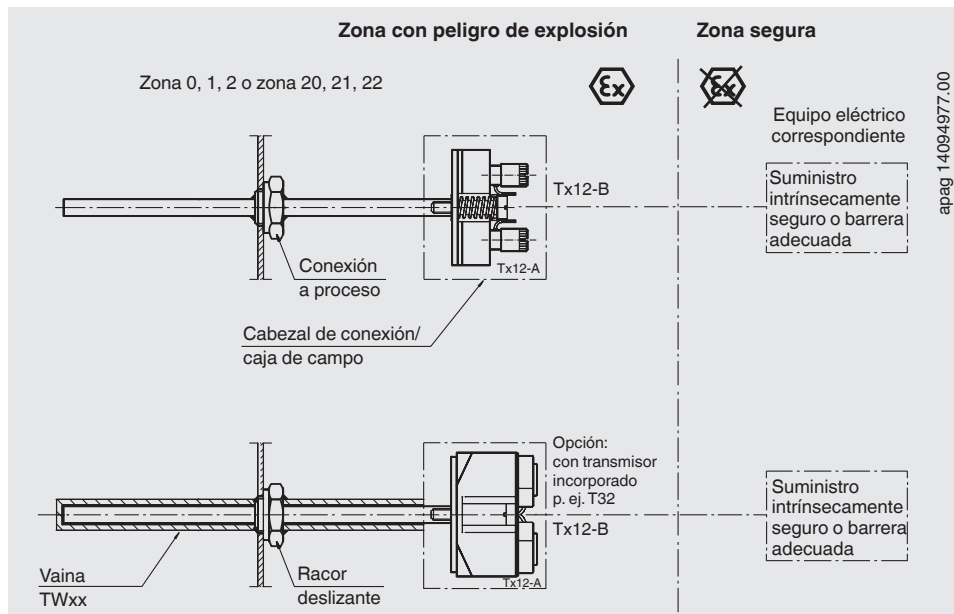
3.5 Resumen de las zonas de temperatura



3. Puesta en servicio, funcionamiento

3.6 Ejemplos de montaje

3.6.1 Posibles montajes con la marca II 1G Ex ia IIC T6 Ga o II 1D Ex ia IIIC T65 °C Da



El sensor junto a la caja o cabezal de conexión se encuentra en zona 0 (zona 20). Debe utilizarse un circuito eléctrico de tipo Ex ia. Los cabezales/cajas de aluminio normalmente no están permitidos en la zona 0. Para esta zona WIKA recomienda cabezales/cajas de acero inoxidable.

Medidas de protección para aplicaciones que requieren EPL Ga o Da:

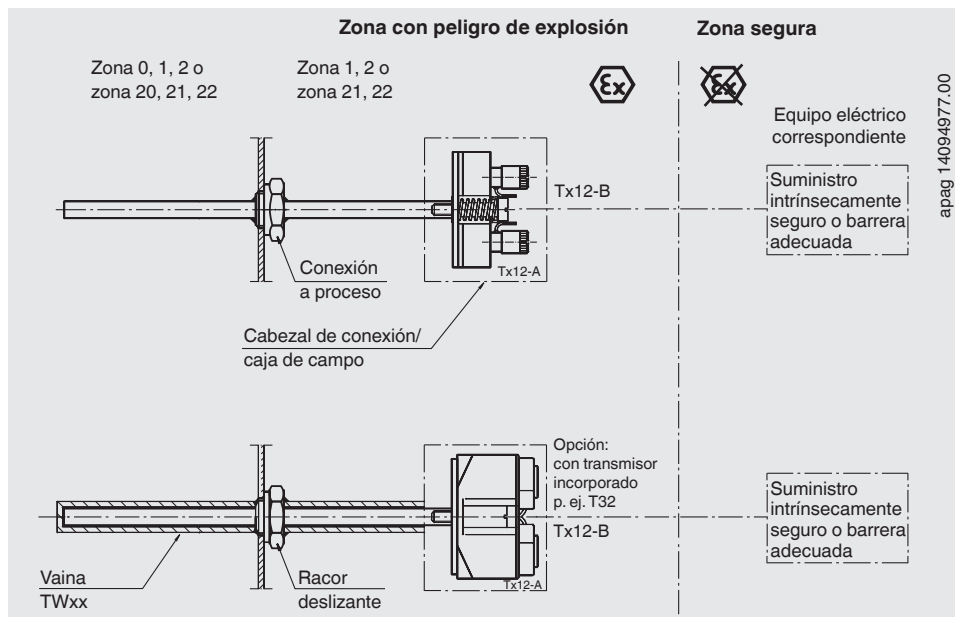
Dado el caso que se utilizan cajas de metal ligero en la zona 0, se aplican las siguientes medidas de protección:

No se adminten impactos o fricción entre piezas del dispositivo de metal ligero o de sus aleaciones (por ejemplo, aluminio, magnesio, titanio o zirconio) con piezas de hierro/acero producto del funcionamiento. Sí se adminten en cambio fricciones o impactos entre los metales ligeros en el curso del funcionamiento.

Observar las condiciones especiales (véase el capítulo 4 "Condiciones especiales para la utilización (X-Conditions)", puntos 5 y 7).

3. Puesta en servicio, funcionamiento

3.6.2 Posibles montajes con la marca II 1/2G Ex ia IIC T1 ... T6 Ga/Gb o II 1/2D Ex ia IIIC T65 ... 125 °C Da/Db



La punta del sensor o de la vaina sobresale hasta la zona 0. La caja o el cabezal de conexión se encuentran en la zona 1 (zona 21) o zona 2 (zona 22). Basta con utilizar un circuito eléctrico de tipo Ex ib.

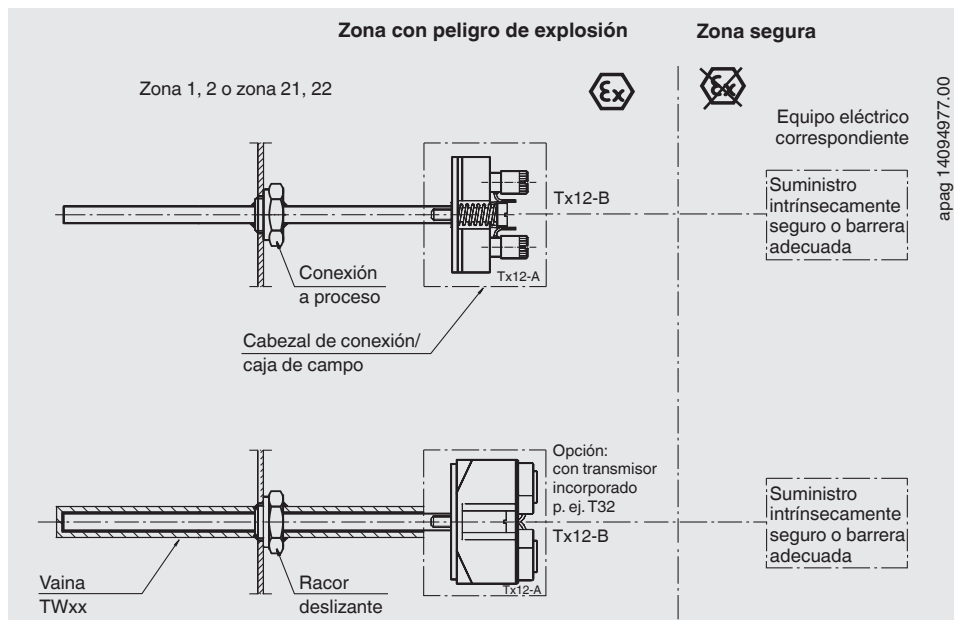
Se garantiza una separación de zonas al utilizar conexiones al proceso suficientemente herméticas (IP66 o IP67).

Conexiones a proceso adecuadas son, por ejemplo, bridas industriales normalizadas a prueba de gas, conexiones roscadas o racores para tubos.

Las conexiones a procesos, vainas o cajas deben estar dimensionadas de tal modo que resistan todas las influencias surgidas a raíz del proceso, como por ejemplo temperatura, fuerzas de paso, presión, corrosión, vibración y golpes.

3. Puesta en servicio, funcionamiento

3.6.3 Posibles montajes con la marca II 2G Ex ia IIC T1 ... T6 Gb o II 2D Ex ia IIIC T65 ... 125 °C Db



ES

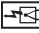
3.6.4 Particiones para uso en la zona 0 o zona 1/2 o separación entre áreas potencialmente explosivas y seguras

Si el espesor de pared es inferior a 1 mm, el instrumento debe marcarse también con una "X" o una indicación de seguridad conforme a 29.2 de la norma EN/IEC 60079-0, con la condición especial para el uso seguro, de que no será sometido a cargas ambientales que pudieran afectar negativamente a la pared de separación. Si la pared es sometida permanentemente a vibraciones (p. ej. membranas vibratorias), debe indicarse en la documentación la resistencia mínima a la vibración continua para la mayor amplitud (comp. sección 4.2.5.2, EN/IEC 60079-26).

Observar las condiciones especiales (véase el capítulo 4 "Condiciones especiales para la utilización (X-Conditions)", punto 5).

Alternativamente, el cliente puede utilizar una vaina con el correspondiente espesor mínimo de pared. Para ello tener en cuenta las condiciones especiales (véase el capítulo 4 "Condiciones especiales para la utilización (X-Conditions)", punto 6).

4. Condiciones especiales para la utilización (X-Conditions)

- 1) Versiones con $\varnothing < 3$ mm o versiones “no aisladas” no cumplen el apartado 6.3.13, IEC/EN 60079-11. Por lo tanto, estos circuitos intrínsecamente seguros desde el punto de vista de seguridad se consideran conectados eléctricamente a la tierra (“en principio puesto a tierra” ) y debe existir compensación de potencial en todo el curso de la instalación de los circuitos de seguridad intrínseca. Además, para la conexión deben observarse las condiciones especiales de acuerdo a IEC/EN 60079-14.
- 2) Los instrumentos que no cumplen los requerimientos electrostáticos debido a su construcción según IEC/EN 60079-0 y IEC/EN 60079-26, no deben someterse a las cargas electrostáticas.
- 3) Los transmisores e indicadores digitales empleados deben contar con su propia certificado CE de tipo conforme a IEC/EN. Deben consultarse en las correspondientes certificado CE de tipo las condiciones de instalación, las magnitudes de conexión, las clases de temperatura o temperaturas superficiales máximas en instrumentos para utilización en atmósferas polvorientas potencialmente explosivas, así como las temperaturas ambiente permitidas, y observarse las mismas.
- 4) No está permitido un flujo térmico proveniente del proceso que supere la temperatura ambiente admisible del transmisor, del indicador digital o de la caja. Para evitar este efecto se debe aplicar un aislamiento adecuado o un cuello de suficiente longitud.
- 5) Si el espesor de pared es inferior a 1 mm, los instrumentos no deben someterse a cargas ambientales que pudieran afectar negativamente la pared divisoria. Alternativamente puede utilizarse una vaina con el correspondiente espesor mínimo de pared.
- 6) Si se emplea una vaina o un tubo de cuello, el instrumento debe estar construido completamente de tal forma para que permite un montaje suficientemente hermético (IP66 o IP67) o una junta plana antideflagrante (IEC/EN 60079-1) hacia la zona de menos riesgo.
- 7) *Sin relevancia para este instrumento (véase X-Conditions en verificación CE de tipo)*
- 8) Para el uso de cajas, éstas deben contar con una correspondiente certificado CE de tipo propia o cumplir con los requisitos mínimos.
Protección IP: mínimamente IP20 (por lo menos IP6x para polvo), se aplica a todas las cajas.
Las cajas de metal ligero deben cumplir los correspondientes secciones a las normas aplicables. Además, las cajas no metálicas o con recubrimiento de polvo deben cumplir los requisitos electrostáticos a las normas aplicables o contar con una correspondiente advertencia.

4. Condiciones especiales para la utilización (X-Conditions)

- 9) Partes accesibles de cajas metálicas no puestas a tierra y partes accesibles de cajas metálicas puestas a tierra pero no conformes al apartado 6.5 de la norma IEC/EN 60079-11 deben ser conformes al apartado 7.5 de la norma IEC/EN 60079-0 o contar con una correspondiente advertencia.
- 10) Si no es posible indicar el rango de temperatura ambiente en el marcado del instrumento porque se trata de un instrumento pequeño según el apartado 29.10 de la norma IEC/EN 60079-0, el rango de temperatura ambiente debe indicarse en el manual de instrucciones incluido en el suministro del instrumento. Si el instrumento no es un instrumento pequeño según el apartado 29.10 de la norma IEC/EN 60079-0, el marcado del instrumento debe contener adicionalmente una referencia al manual de instrucciones.

Medidas de protección para aplicaciones que requieren EPL Ga o Da:

No se adminten impactos o fricción entre piezas del dispositivo de metal ligero o de sus aleaciones (por ejemplo, aluminio, magnesio, titanio o zirconio) con piezas de hierro/acero producto del funcionamiento. Sí se adminten en cambio fricciones o impactos entre los metales ligeros en el curso del funcionamiento.

ES

5. Ejemplos de cálculo para el calentamiento propio en la punta de la vaina

El calentamiento propio en la punta de la vaina depende del tipo de sensor (TC/RTD), del diámetro de la unidad extraíble y del tipo de construcción de la vaina. La siguiente tabla muestra las posibles combinaciones. El calentamiento de la unidad extraíble pulida en la punta del sensor es claramente mayor; se prescindió de la representación de dichos valores debido al necesario ensamblaje con una vaina.

En dicha tabla puede verse que los termopares generan un calentamiento propio claramente inferior que las termorresistencias.

Resistencia térmica [R_{th} in K/W]

Tipo de sensor	RTD		TC	
	3,0 - < 6,0	6,0 - ≤ 8,0	3,0 - < 6,0	6,0 - ≤ 8,0
Con vaina, de tubo (recto y cónico), por ej. TW35, TW40, etc.	60	37	11	2,5
Con vaina, material macizo (recto y cónico), por ej. TW10, TW15, TW20, TW25, TW30, etc.	22	16	4	1
Montada en un agujero ciego (espesor mínimo de pared 5 mm)	22	16	4	1

5.1 Ejemplo de cálculo para la variante 2 con sensor TC

Bajo las mismas condiciones, resulta un valor inferior para el calentamiento propio, dado que la potencia suministrada no solamente se aplica a la punta del sensor, sino a toda la longitud de una unidad extraíble.

Resistencia térmica [R_{th} en K/W] de la tabla = 3 K/W

Calentamiento propio: $0,8 \text{ W} * 3 \text{ K/W} = 2,4 \text{ K}$

$T_{max} = T_M + \text{calentamiento propio: } 150 \text{ °C} + 2,4 \text{ °C} = 152,4 \text{ °C}$

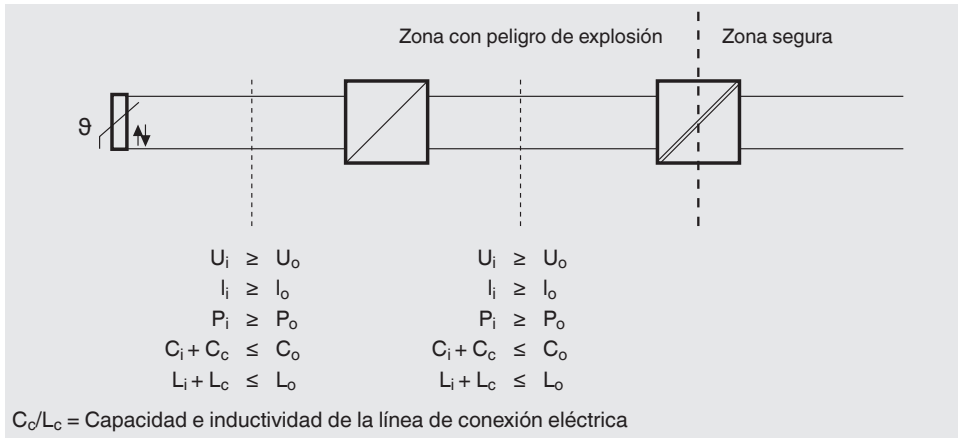
Para calcular la distancia de seguridad para instrumentos de tipos probados (para T3 a T6), de los 200 °C, hay que restar 5 °C; por lo tanto la temperatura admisible sería 195 °C. De esa manera, no se sobrepasa la clase de temperatura T3 en este ejemplo.

En este ejemplo resulta evidente que para este caso el calentamiento propio es prácticamente insignificante.

5. Ejemplos de cálculo para el calentamiento propio en la ...

5.2 Demostración de la seguridad intrínseca

Sensor con transmisor y barrera



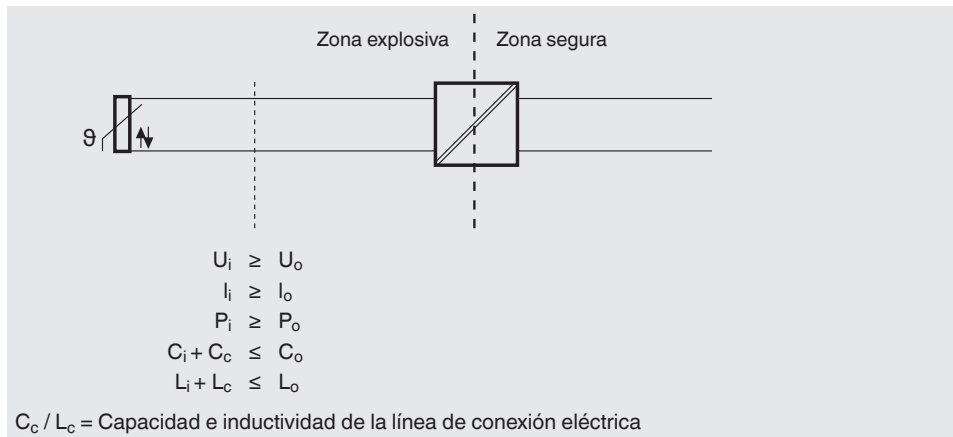
ES

Demostración simplificada de la seguridad intrínseca para la combinación mencionada más arriba

Unidad extraíble		Transmisor de cabezal		Aisladores
U_i : DC 30 V	\geq	U_o : DC 6,5 V	U_i : DC 30 V	\geq U_o : DC 25,4 V
I_i : 550 mA	\geq	I_o : 9,3 mA	I_i : 130 mA	\geq I_o : 88,2 mA
P_i (máx) en el sensor: 1,5 W	\geq	P_o : 15,2 mW	P_i : 800 mW	\geq P_o : 560 mW
C_i : despreciable	\leq	C_o : 24 μ F	C_i : 7,8 nF	\leq C_o : 93 nF
L_i : despreciable	\leq	L_o : 365 mH	L_i : 100 μ H	\leq L_o : 2,7 mH

La comparación de los valores demuestra que la interconexión de estos instrumentos es admisible. La empresa explotadora/operadora sin embargo debe respetar los valores de inductividad y la capacidad de las conexiones eléctricas.

Sensor sin transmisor, con barrera



Demstración simplificada de la seguridad intrínseca para la combinación mencionada más arriba

Unidad extraíble		Barrera Zener Z954	
U_i : DC 30 V	≥	U_o : DC 9 V	U_m : AC 250 V
I_i : 550 mA	≥	I_o : 510 mA	I_j : n. a.
P_i (máx) en el sensor: 1,5 W	≥	P_o : 1.150 mW	P_j : n. a.
C_i : despreciable	≤	C_o : 4,9 μF	C_j : n. a.
L_i : despreciable	≤	L_o : 0,12 mH	L_j : n. a.

n. a. = no aplicable

La comparación de los valores demuestra que la interconexión de estos instrumentos es admisible. La empresa explotadora/operadora sin embargo debe respetar los valores de inductividad y la capacidad de las conexiones eléctricas.

Estos cálculos son válidos para la barrera Zener Z954 en combinación con un termómetro de resistencia Pt100 en funcionamiento de tres canales sin conexión a tierra; es decir, funcionamiento simétrico del termómetro de resistencia en conexión de 3 hilos a un indicador o unidad de evaluación.



EU-Konformitätserklärung EU Declaration of Conformity

Dokument Nr.: 14031790.04
Document No.:

Wir erklären in alleiniger Verantwortung, dass die mit CE gekennzeichneten Produkte
We declare under our sole responsibility that the CE marked products

Typenbezeichnung: TR12-B-ZZ⁽¹⁾, TC12-B-ZZ⁽¹⁾
Type Designation: TR12-B-^aI⁽¹⁾, (2), (4), TR12-M-^aI⁽¹⁾, (2), (4), TC12-B-^aI⁽¹⁾, (2), (4), TC12-M-^aI⁽¹⁾, (2), (4)
TR12-B-^aD⁽¹⁾, (3), TR12-M-^aD⁽¹⁾, (3), TC12-B-^aD⁽¹⁾, (3), TC12-M-^aD⁽¹⁾, (3)

Beschreibung: Prozessthermometer Typ TR12 und TC12 zum Einbau in ein Schutzrohr
Description: Process thermometer model TR12 and TC12 for additional thermowell

gemäß gültigem Datenblatt:
according to the valid data sheet: TE 60.17, TE 65.17

die wesentlichen Schutzanforderungen der folgenden Richtlinien erfüllen:
comply with the essential protection requirements of the directives: Harmonisierte Normen:
Harmonized standards:

2011/65/EU	Gefährliche Stoffe (RoHS) Hazardous substances (RoHS)	EN 50581:2012
2014/30/EU	Elektromagnetische Verträglichkeit (EMV) ⁽¹⁾ Electromagnetic Compatibility (EMC) ⁽¹⁾	
2014/34/EU	Explosionsschutz (ATEX) ^{(2), (3), (4)} Explosion protection (ATEX) ^{(2), (3), (4)}	



II 1G Ex ia IIC T1, T2, T3, T4, T5, T6 Ga or
II 1/2G Ex ia IIC T1, T2, T3, T4, T5, T6 Ga/Gb or
II 2G Ex ia IIC T1, T2, T3, T4, T5, T6 Gb or
II 2G Ex ib IIC T1, T2, T3, T4, T5, T6 Gb

(2)
EN 60079-0:2012 +A11:2013
EN 60079-11:2012
EN 60079-26:2015



II 2G Ex db IIC T6-T1 Gb or
II 1/2G Ex db IIC T6-T1 Ga/Gb or
II 2G Ex db IIC Gb

(3)
EN 60079-0:2012 +A11:2013
EN 60079-1:2014
EN 60079-26:2015



II 3G Ex ic IIC T1, T2 T3, T4, T5, T6 Gc

(4)
EN 60079-0:2012 +A11:2013
EN 60079-11:2012

- (1) Für optional eingebaute Transmitter oder Anzeigen gelten deren EU-Konformitätserklärungen und die darin gelisteten Normen
For optional built-in transmitters and indicators their respective EU declarations of conformity and the therein listed standards apply
- (2) EG-Baumusterprüfbescheinigung TÜV 10 ATEX 555793 X von TÜV NORD CERT GmbH, D-45141 Essen (Reg.-Nr. 0044)
EC type-examination certificate TÜV 10 ATEX 555793 X of TÜV NORD CERT GmbH, D-45141 Essen (Reg. no. 0044)
- (3) EU-Baumusterprüfbescheinigung BVS 07 ATEX E 071 X von DEKRA EXAM GmbH, D-44809 Bochum (Reg. Nr. 0158)
EU type examination certificate BVS 07 ATEX E 071 X of DEKRA EXAM GmbH, D-44809 Bochum (Reg. No. 0158)
- (4) Modul A, interne Fertigungskontrolle
Module A, internal control of production

Unterszeichnet für und im Namen von / Signed for and on behalf of

WIKAL Alexander Wiegand SE & Co. KG

Klingenberg, 2017-07-11

Stefan Heidinger, Vice President
Electrical Temperature Measurement

Franz-Josef Vogel, Executive Vice President
Process Instrumentation

WIKAL Alexander Wiegand SE & Co. KG
Alexander-Wiegand-Straße 30
63911 Klingenberg
Germany

Tel. +49 9372 132-0
Fax +49 9372 132-406
E-Mail: info@wika.de
www.wika.de

Kommanditgesellschaft: Sitz Klingenberg –
Amtsgericht Aschaffenburg HRA 1819
Komplementärin: WIKAL Verwaltung SE & Co. KG –
Sitz Klingenberg – Amtsgericht Aschaffenburg
HRA 4685

Komplementärin:
WIKAL International SE - Sitz Klingenberg -
Amtsgericht Aschaffenburg HRB 10506
Vorstand: Alexander Wiegand
Vorsitzender des Aufsichtsrats: Dr. Max Egl

