

Additional information for hazardous areas (Ex i)  
Model TR21

EN

Zusatzinformation für explosionsgefährdete Bereiche (Ex i)  
Typ TR21

DE

Informations complémentaires concernant les zones dangereuses  
(Ex i), type TR21

FR

Información adicional para zonas potencialmente explosivas (Ex i)  
Modelo TR21

ES



BVS 14 ATEX E 147 X  
IECEX BVS 14.0101X

70018194



Model TR21-A



Model TR21-B



Model TR21-C

<b>EN</b>	<b>Additional information model TR21 (Ex i)</b>	<b>Page</b>	<b>3 - 20</b>
<b>DE</b>	<b>Zusatzinformation Typ TR21 (Ex i)</b>	<b>Seite</b>	<b>21 - 38</b>
<b>FR</b>	<b>Informations complémentaires type TR21 (Ex i)</b>	<b>Page</b>	<b>39 - 56</b>
<b>ES</b>	<b>Información adicional modelo TR21 (Ex i)</b>	<b>Página</b>	<b>57 - 73</b>

© 09/2016 WIKA Alexander Wiegand SE & Co. KG  
 All rights reserved. / Alle Rechte vorbehalten.  
 WIKA® is a registered trademark in various countries.  
 WIKA® ist eine geschützte Marke in verschiedenen Ländern.

Prior to starting any work, read the operating instructions and additional information!  
 Keep for later use!

Vor Beginn aller Arbeiten Betriebsanleitung und Zusatzinformation lesen!  
 Zum späteren Gebrauch aufbewahren!

Lire le mode d'emploi et informations supplémentaires avant de commencer toute opération !  
 A conserver pour une utilisation ultérieure !

¡Leer el manual de instrucciones y información adicional antes de comenzar cualquier trabajo!  
 ¡Guardar el manual para una eventual consulta!

# Contents

<b>1. Ex marking</b>	<b>4</b>
<b>2. Safety</b>	<b>7</b>
<b>3. Commissioning, operation</b>	<b>9</b>
<b>4. Special conditions for safe use (X conditions)</b>	<b>14</b>
<b>5. Calculation examples for self-heating at the thermowell tip</b>	<b>15</b>
<b>6. Accessories</b>	<b>15</b>
<b>Appendix 1: CSA control drawing</b>	<b>16</b>
<b>Appendix 2: EU declaration of conformity</b>	<b>18</b>
<b>Appendix 3: EPL Matrix</b>	<b>19</b>

Declarations of conformity can be found online at [www.wika.com](http://www.wika.com).

# 1. Ex marking

## Supplementary documentation:

- ▶ This additional information for hazardous areas applies in conjunction with the operating instructions "Miniature resistance thermometers for sanitary applications, model TR21" (article number 14006814).

EN

# 1. Ex marking



## **DANGER!**

### **Danger to life due to loss of explosion protection**

Non-observance of these instructions and their contents may result in the loss of explosion protection.

- ▶ Observe the safety instructions in this chapter and further explosion instructions in these operating instructions.
- ▶ Follow the requirements of the ATEX directive.
- ▶ Observe the information given in the applicable type examination certificate and the relevant regulations for installation and use in hazardous areas (e.g. IEC 60079-11, IEC 60079-10 and IEC 60079-14).

Check whether the classification is suitable for the application. Observe the relevant national regulations.

## **ATEX**

### **IECEX**

- |         |                           |
|---------|---------------------------|
| II 1G   | Ex ia IIC T1 ... T6 Ga    |
| II 1/2G | Ex ia IIC T1 ... T6 Ga/Gb |
| II 2G   | Ex ia IIC T1 ... T6 Gb    |
| II 1D   | Ex ia IIIC T135 °C Da     |
| II 1/2D | Ex ia IIIC T135 °C Da/Db  |
| II 2D   | Ex ia IIIC T135 °C Db     |

# 1. Ex marking

For applications without transmitters (models TR21-x-xPx and TR21-x-xRx) that require group II instruments (potentially explosive gas atmospheres), the following temperature class classification and ambient temperature ranges apply:

Table 1

Marking		Temperature class	Ambient temperature range ( $T_a$ )	Max. surface temperature ( $T_{max}$ ) at the sensor or thermowell tip
ATEX	IECEX			
II 1G	Ex ia IIC T1 ... T6 Ga	T1 ... T5	-50 ... +85 °C	$T_M$ (medium temperature) + self-heating  For this, the special conditions must be observed (see chapter 4 "Special conditions for safe use (X conditions)").
II 1/2G	Ex ia IIC T1 ... T6 Ga/Gb			
II 2G	Ex ia IIC T1 ... T6 Gb	T6	-50 ... +80 °C	

For applications requiring instruments of equipment group II (potentially explosive dust atmospheres), the following surface temperatures and ambient temperature ranges apply:

Table 2

Marking		Power $P_i$	Ambient temperature range ( $T_a$ )	Max. surface temperature ( $T_{max}$ ) at the sensor or thermowell tip
ATEX	IECEX			
II 1D	Ex ia IIIC T135 °C Da	750 mW	-50 ... +40 °C	$T_M$ (medium temperature) + self-heating  For this, the special conditions must be observed (see chapter 4 "Special conditions for safe use (X conditions)").
II 1/2D	Ex ia IIIC T135 °C Da/Db			
II 2D	Ex ia IIIC T135 °C Db	650 mW	-50 ... +70 °C	
		550 mW	-50 ... +85 °C	

# 1. Ex marking

For applications with transmitters (TR21-x-xTT, TR21-x-xTB) that require group II instruments (potentially explosive gas atmospheres), the following temperature class classification and ambient temperature ranges apply:

EN

Table 3

Hazardous gas atmosphere		Temperature class	Ambient temperature range ( $T_a$ )	Max. surface temperature ( $T_{max}$ ) at the sensor or thermowell tip
ATEX	IECEX			
II 1G	Ex ia IIC T1 ... T6 Ga	T1 ... T4	-40 ... +85 °C	$T_M$ (medium temperature) + self-heating
II 1/2G	Ex ia IIC T1 ... T6 Ga/Gb			
II 2G	Ex ia IIC T1 ... T6 Gb	T5	-40 ... +60 °C	For this, the special conditions must be observed (see chapter 4 "Special conditions for safe use (X conditions)").
		T6	-40 ... +45 °C	

For applications requiring instruments of equipment group II (potentially explosive dust atmospheres), the following surface temperatures and ambient temperature ranges apply:

Table 4

Hazardous dust atmosphere		Power $P_i$	Ambient temperature range ( $T_a$ )	Max. surface temperature ( $T_{max}$ ) at the sensor or thermowell tip
ATEX	IECEX			
II 1D	Ex ia IIIC T135 °C Da	750 mW	-40 ... +40 °C	$T_M$ (medium temperature) + self-heating
II 1/2D	Ex ia IIIC T135 °C Da/Db			
II 2D	Ex ia IIIC T135 °C Db	650 mW	-40 ... +70 °C	For this, the special conditions must be observed (see chapter 4 "Special conditions for safe use (X conditions)").
		550 mW	-40 ... +85 °C	

For applications that require EPL Gb or Db, the instruments designated as "ia" can also be used in type "ib" measuring circuits, with the same connection parameters.

Thus the entire measuring circuit (including the sensor circuit) is an "ib" circuit. Instruments that have been operated in a power supply circuit of type "ib" cannot be re-used in a power supply circuit of type "ia".

## 2. Safety

### 2.1 Explanation of symbols



#### **DANGER!**

... indicates a potentially dangerous situation in the hazardous area that can result in serious injury or death, if not avoided.

### 2.2 Intended use

The thermometers described here are suitable for temperature measurement in hazardous areas.

The non-observance of the instructions for use in hazardous areas can lead to the loss of the explosion protection. Adhere to the limit values and instructions (see chapter 3.4 “Electrical connection values”).

Neither repairs nor structural modifications are permitted, and any would void the guarantee and the certification.

Substitution of components may impair intrinsic safety.

### 2.3 Responsibility of the operator

The responsibility for classification of zones lies with the plant operator and not the manufacturer/supplier of the equipment.

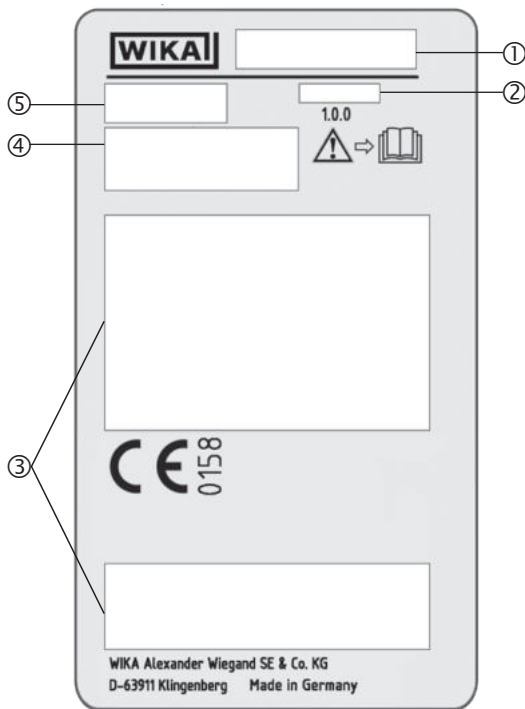
### 2.4 Personnel qualification

The skilled electrical personnel must have knowledge of ignition protection types, regulations and provisions for equipment in hazardous areas.

### 2.5 Labelling, safety marks

#### Product labels (example)

EN



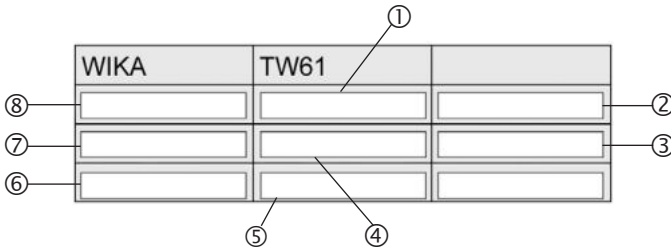
- ① Model
- ② Date of manufacture (year-month)
- ③ Approval-related data
- ④ Information on version (measuring element, output signal, measuring range...)
  - Thermometer with transmitter and output signal 4 ... 20 mA
  - Thermometer with direct sensor output with Pt100 and Pt1000
- ⑤ Serial number, TAG number



Before mounting and commissioning the instrument, ensure you read the operating instructions!



### Thermowell marking



- ① Max. nominal pressure
- ② Pipe standard
- ③ CE mark
- ④ Hygiene class
- ⑤ Identification of the qualified inspector (for stamping)
- ⑥ Material code (complete assembly)
- ⑦ Tubular body material
- ⑧ Outer diameter x wall thickness (in mm)

## 3. Commissioning, operation



### **DANGER!**

#### **Danger to life from explosion**

By using a measuring insert without a suitable connection head (case), an explosion risk occurs which can cause fatalities.

- ▶ Only use the measuring insert in the connection head designed for it.



### **DANGER!**

#### **Danger to life from missing instrument grounding**

With missing or incorrect grounding, there exists a risk of dangerous voltages (leading to, for example, mechanical damage, electrostatic charge or induction).

- ▶ Ground thermometer!

Observe the special conditions (see chapter 4 “Special conditions for safe use (X conditions)”, point 2).

## 3. Commissioning, operation

### 3.1 Mounting within metallic enclosures

- The case must be grounded against electromagnetic fields and electrostatic charge.
- It must not be connected separately to the equipotential bonding system.
- It is sufficient if the metallic thermowell has a solid and secured contact with the metallic vessel or its structural components or pipelines, so long as these components are connected to the equipotential bonding system.

### 3.2 Mounting within non-metallic enclosures

- Ground the cable shield at one end, preferably in the safe, and so non-Ex, area (EN 60079-14). For instruments with cable outlet, the shield is connected to the case. The simultaneous connection of the case and the cable shield to ground is only permitted if any potential losses between the shield connection (e.g. at the isolated barrier) and the case can be excluded (see EN 60079-14).
- Power the resistance thermometer via an intrinsically safe current circuit (Ex ia).
- Both the effective internal capacitance and inductance must be considered
- Fine-stranded leads with bare ends must be finished with end splices (cable preparation)

### 3.3 Electrical connection

The temperature resistance of the connection lead must match the permissible operating temperature of the cases. For ambient temperatures above 60 °C, heat-resistant connection leads must be used (see chapter 6 "Accessories").

### 3.4 Electrical connection values

- **Thermometer with transmitter and output signal 4 ... 20 mA (models TR21-x-xTT, TR21-x-xTB)**

Parameters	Hazardous gas atmosphere	Hazardous dust atmosphere
Terminals	+ / -	+ / -
Voltage $U_i$	DC 30 V	DC 30 V
Current $I_i$	120 mA	120 mA
Power $P_i$	800 mW	750/650/550 mW
Effective internal capacitance $C_i$	29.7 nF	29.7 nF
Effective internal inductance $L_i$	negligible	negligible
Maximum self-heating at the sensor or thermowell tip	15 K	15 K

### 3. Commissioning, operation

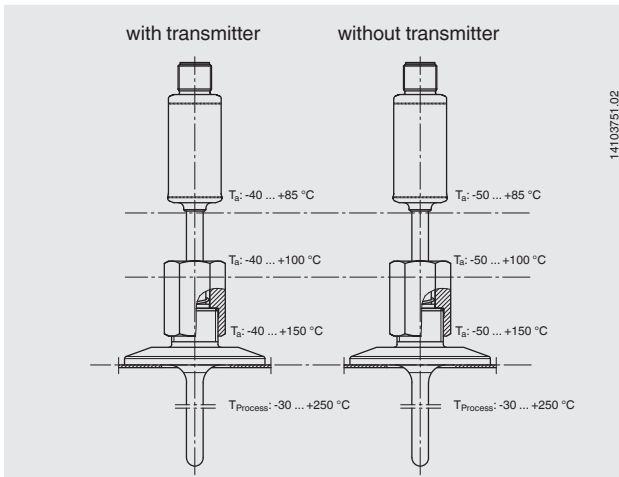
- Thermometer with direct sensor output with Pt100 (model TR21-x-xPx) and Pt1000 (model TR21-x-xRx)

Parameters	Hazardous gas atmosphere	Hazardous dust atmosphere
Terminals	1 - 4	1 - 4
Voltage $U_i$	DC 30 V	DC 30 V
Current $I_i$	550 mA	250 mA
Power $P_i$	1,500 mW	750/650/550 mW
Effective internal capacitance $C_i$	negligible	negligible
Effective internal inductance $L_i$	negligible	negligible
Maximum self-heating at the sensor or thermowell tip	$(R_{th}) = 335 \text{ K/W}$	$(R_{th}) = 335 \text{ K/W}$

EN

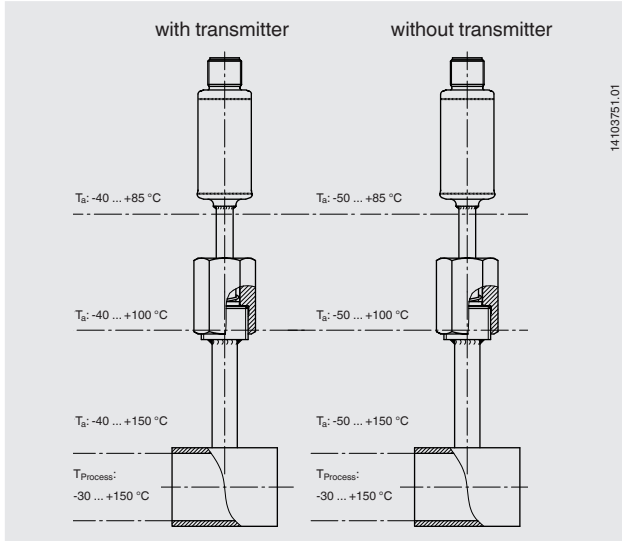
### 3.5 Overview of the temperature zones

- Model TR21-A

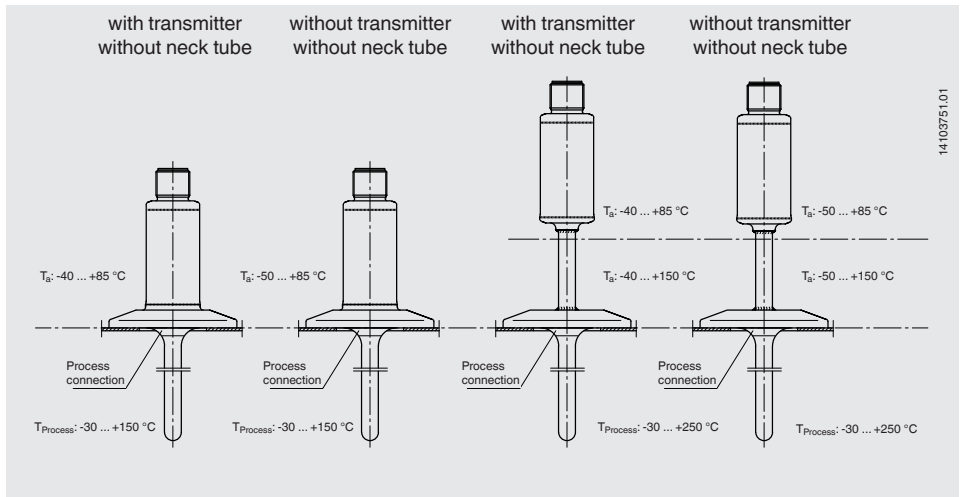


# 3. Commissioning, operation

## ■ Model TR21-B



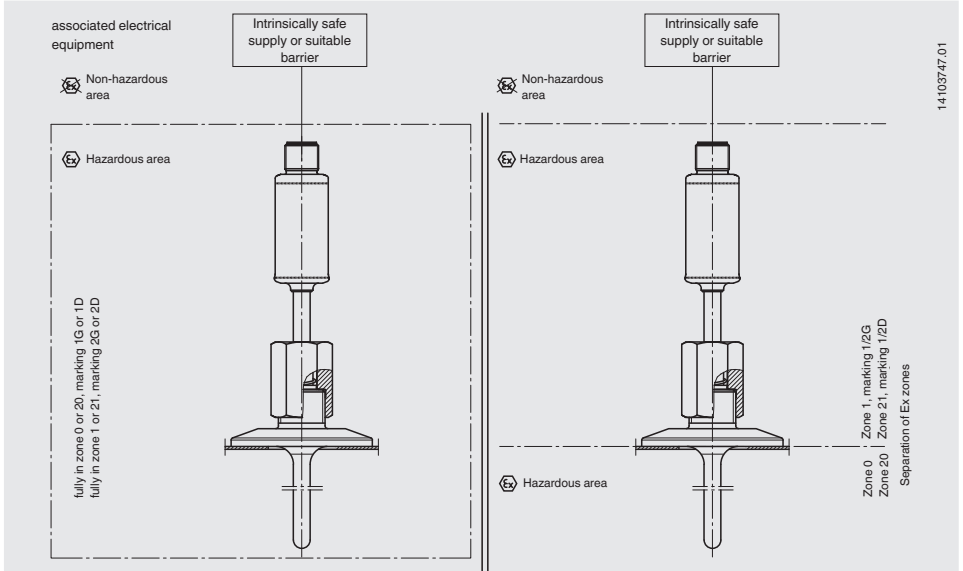
## ■ Model TR21-C



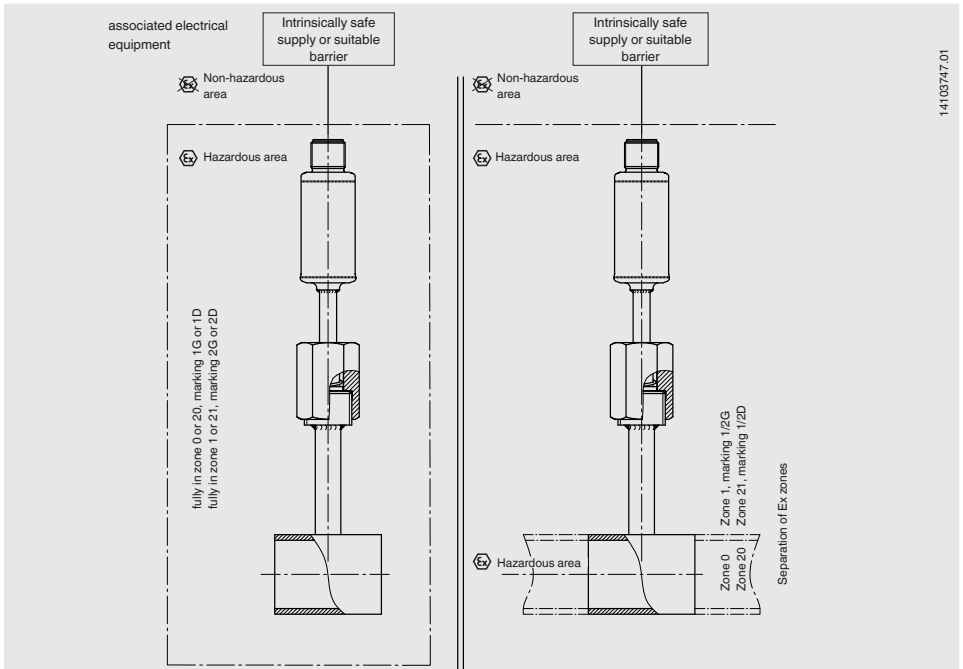
EN

## 3.6 Mounting examples

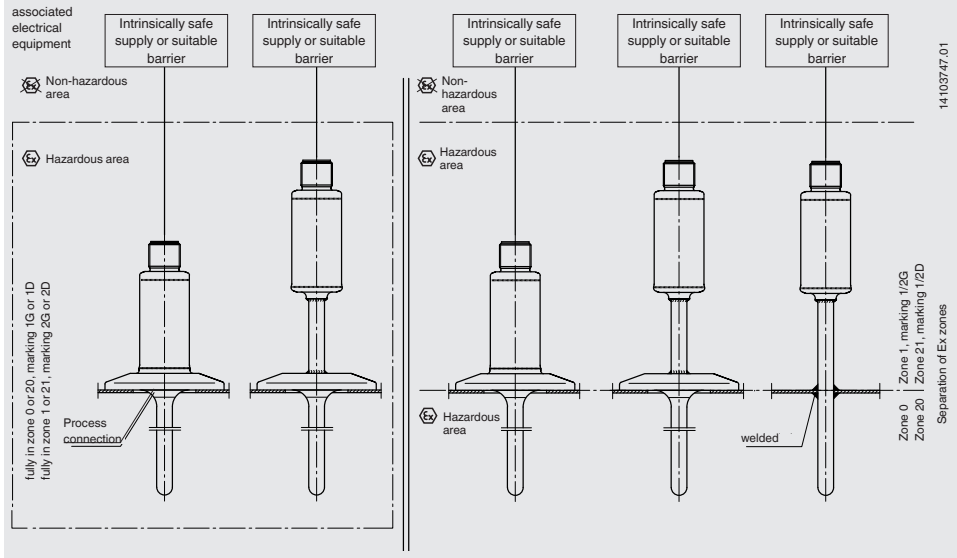
### ■ Model TR21-A



### ■ Model TR21-B



#### ■ Model TR21-C



### 4. Special conditions for safe use (X conditions)

1. Thermal backflow from the process, that exceeds the permissible ambient temperature of the transmitter or the cases, must not occur and must be prevented by the installation of suitable heat insulation or a neck tube of suitable length.
2. The wall thickness is greater than 0.2 mm and less than 1 mm. Thus the instruments must not be subjected to ambient stresses that may have an adverse effect on the partition. Alternatively, a thermowell of suitable minimum wall thickness may be used.
3. When using a thermowell/neck tube, the overall instrument must be designed such that it allows installation in a way that results in a sufficiently tight gap (IP67) or a flameproof gap (EN/IEC 60079-1) towards the less hazardous area.
4. The ambient temperature range ( $T_a$ ) for variants with optional connection cable with moulded M12 x 1 connector is limited to -20 ... +80 °C.
5. The ambient temperature range ( $T_a$ ) for variants with optional EN 175301 M12 adapters is limited to -40 ... +85 °C.

## 5. Calculation examples for self-heating at the thermowell tip

### 5.1 Example calculation

Use at the partition to zone 0

The maximum possible temperature,  $T_{\max}$ , at the  $\varnothing$  6 mm thermowell tip with transmitter is being sought.

$T_{\max}$  is obtained by adding the temperature of the medium and the self-heating. The self-heating depends on the supplied power  $P_o$  as well as the thermal resistance  $R_{th}$  and is 15 K.

#### Example

Diameter: 6 mm

Medium temperature:  $T_M = 150\text{ °C}$

Temperature class T3 (200 °C) must not be exceeded

Self-heating: 15 K

$T_{\max} = T_M + \text{self-heating: } 150\text{ °C} + 15\text{ °C} = 165\text{ °C}$

As safety margin for type-examined instruments (for T6 to T3), an additional 5 °C must be subtracted from the 200 °C; hence 195 °C would be permissible. This means that in this case temperature class T3 is not exceeded.

#### Additional information:

Temperature class for T3 = 200 °C

Safety margin for type-tested instruments (T6 to T3) <sup>1)</sup> = 5 K

Safety margin for type-tested instruments (T2 to T1) <sup>1)</sup> = 10 K

1) EN/IEC 60079-0:2012 section 26.5.1

## 6. Accessories

Accessories	Order number	
<b>Connection cable with moulded connector M12 x 1</b>		
■ Cable box straight, 4-pin, ingress protection IP67 Temperature range -20 ... +80 °C	2 m	14086880
	5 m	14086883
■ Angled socket, 4-pin, ingress protection IP67 Temperature range -20 ... +80 °C	2 m	14086889
	5 m	14086891

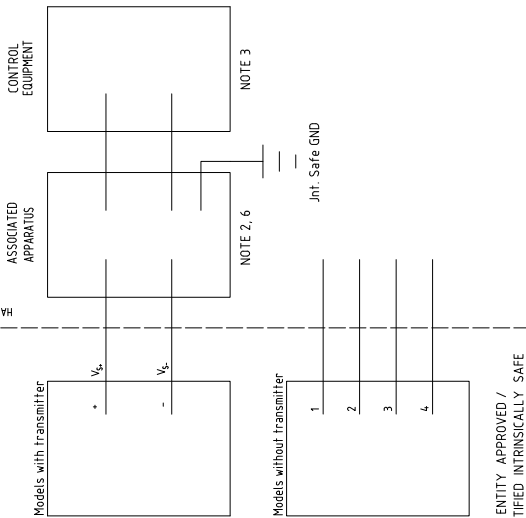
# Intrinsically safe installation

## NON HAZARDOUS LOCATION

### HAZARDOUS LOCATION :

Class I, Division 1 or 2, Groups A, B, C, D T1, T6  
 Class I, Zone 0 or 1, Ex/AEx ia IIC T1, T6 Ga  
 Class II or III, Division 1 or 2, Groups E, F, G T1, T6 / B5 °C  
 Class II or III, Zone 20 or 21, Ex/AEx ia IIC 115°C Da

### HAZARDOUS BARRIER



Entity parameters TR21\*-W\*, TR31\*-W\*, TR34-W\*-  
 Gas atmosphere

Dust atmosphere

Terminals + and -  
 $U_j = DC\ 30\ V$   
 $I_j = 120\ mA$   
 $P_i = 800\ mW$   
 $C_i = 29.7\ nF$   
 $L_i = \text{negligible}$

Maximum self-heating at the tip  
 of the probe or thermowell: 15 K

Terminals 1 to 4  
 $U_j = DC\ 30\ V$   
 $I_j = 550\ mA$   
 $P_i = 1500\ mW$   
 $C_i = \text{negligible}$   
 $L_i = \text{negligible}$

Maximum self-heating at the tip  
 of the probe or thermowell  
 (R<sub>th</sub>) = 335 K/W

Maximum self-heating at the tip  
 of the probe or thermowell  
 (R<sub>th</sub>) = 335 K/W

"WARNING - To prevent ignition of flammable or combustible atmospheres, read, understand and adhere to the accompanying live maintenance procedures."

"Warning - refer to accompanying installation, operating & service instructions for safe and proper usage."

French warning text

"AVERTISSEMENT: Pour éviter l'ignition des atmosphères inflammables au combustibles, veuillez lire, comprendre et respecter les procédures d'entretien ci-jointes."  
 "AVERTISSEMENT: Se référer aux instructions concernant l'installation, le fonctionnement et le service pour une utilisation sûre et correcte."

### ENTITY APPROVED / CERTIFIED INTRINSICALLY SAFE

#### Notes:

- The intrinsic safety entity concept allows the interconnection of two intrinsically safe devices with entity parameters not specifically examined in combination as a system when:  
 $V_{max}$  or  $U_{i2} \geq V_{oc}$ ,  $V_1$  or  $U_{i1} \geq U_{oc}$ ,  $I_{max}$  or  $I_{i2} \leq I_{sc}$ ,  $I_1$  or  $I_{i1}$ ,  $P_{max}$  or  $P_{i1} \geq P_{oc}$ ,  $C_a \geq C_i$  +C-cable,  
 $L_a \geq L_i$  + L-cable.
- Associated apparatus must be accordingly certified.
- Control equipment connected to the associated apparatus must not use or generate more than 250 Vrms or Vdc.
- Installation should be in accordance with the Canadian Electrical Code (CEC) part I for Canada or with ANSI/ISA RP2.06-01 "Installation of intrinsically safe systems for hazardous (classified) locations" and the National Electrical Code® (ANSI/NFPA 70) sections 504, and 505 for USA.
- The configuration of associated apparatus must be under entity concept.
- Associated apparatus manufacturer's installation drawing must be followed when installing this equipment.
- No revision to this drawing without prior approval.



## Nonincendive field wiring installation

NON HAZARDOUS LOCATION

HAZARDOUS LOCATION :  
 Class I, Division 2, Groups A, B, C, D  
 Class I, Zone 2, IIC  
 Class II or III, Division 2, Groups E, F, G  
 Class II or III, Zone ZZ

NIFW parameters TR21\*-W-\*, TR31\*-W-\*, TR34-W-\*

Intrinsic safety barrier not required.  $V_{max}$  or  $U_i \leq DC 30V$

TR*	Non-Incendive field wiring apparatus	HAZARDOUS BARRIER	Gas atmosphere	Dust atmosphere
	<p>CSA or FM approved associated apparatus or associated nonincendive field firing apparatus</p> <p>Models with transmitter</p> <p>Models without transmitter</p>		<p>Terminals + and -</p> <p><math>U_i = DC 30 V</math></p> <p><math>I_i = 120 mA</math></p> <p><math>C_i = 29.7 nF</math></p> <p><math>L_i = negligible</math></p> <p>Maximum self-heating at the tip of the probe or thermowell: 15 K</p>	<p>Terminals + and -</p> <p><math>U_i = DC 30 V</math></p> <p><math>I_i = 120 mA</math></p> <p><math>C_i = 29.7 nF</math></p> <p><math>L_i = negligible</math></p> <p>Maximum self-heating at the tip of the probe or thermowell: 15 K</p>
			<p>Terminals 1 to 4</p> <p><math>U_i = DC 30 V</math></p> <p><math>I_i = 550 mA</math></p> <p><math>C_i = negligible</math></p> <p><math>L_i = negligible</math></p> <p>Maximum self-heating at the tip of the probe or thermowell (R<sub>th</sub>) = 335 K/W</p> <p>"WARNING - To prevent ignition of flammable or combustible atmospheres, read, understand and adhere to the accompanying live maintenance procedures."</p>	<p>Terminals 1 to 4</p> <p><math>U_i = DC 30 V</math></p> <p><math>I_i = 250 mA</math></p> <p><math>C_i = negligible</math></p> <p><math>L_i = negligible</math></p> <p>Maximum self-heating at the tip of the probe or thermowell (R<sub>th</sub>) = 335 K/W</p> <p>"WARNING - To prevent ignition of flammable or combustible atmospheres, read, understand and adhere to the accompanying live maintenance procedures."</p>

**Notes:**

- Nonincendive field wiring enables interconnection of nonincendive field wiring apparatus with associated nonincendive field wiring apparatus or associated intrinsically safe apparatus not specifically examined in combination as a system under one of the following conditions:
  - Current Controlled
  - Normal operating current controlled or limited by the nonincendive field wiring apparatus (unlike the requirements for intrinsically safe apparatus  $I_{max}$  or  $I_i$  of the nonincendive field wiring apparatus need not be greater than the  $I_{sc}$ ,  $I_i$  or  $I_o$  of the associated nonincendive field wiring apparatus)
    - $V_{max}$  or  $U_i \geq Voc$ ,  $Vt$  or  $U_o$ ;  $Ca \geq Ci + Ccable$ ;  $La \geq Li + Lcable$
  - Not current controlled
  - Normal operating voltage or current not controlled or limited by the nonincendive field wiring apparatus
    - $V_{max}$  or  $U_i \geq Voc$ ,  $Vt$  or  $U_o$ ,  $I_{max}$  or  $I_i \geq I_{sc}$ ,  $I_t$  or  $I_o$ ,  $Ca \geq Ci + Ccable$ ;  $La \geq Li + Lcable$
- Associated apparatus manufacturer's installation drawing must be followed when installing this equipment.
- No revision to this drawing without prior approval.

French warning text  
 "AVERTISSEMENT: Pour éviter l'ignition des atmosphères inflammables ou combustibles, veuillez lire, comprendre et respecter les procédures d'entretien ci-jointes."  
 "AVERTISSEMENT: Se référer aux instructions concernant l'installation, le fonctionnement et le service pour une utilisation sûre et correcte."



EN

## EU-Konformitätserklärung EU Declaration of Conformity

Dokument Nr.  
Document No.

14115255.05

Wir erklären in alleiniger Verantwortung, dass die mit CE gekennzeichneten Produkte  
We declare under our sole responsibility that the CE marked products

Typenbezeichnung  
Type Designation

TR21-A-\*(1); TR21-B-\*(1), (3); TR21-C-\*(1)

Beschreibung  
Description

Miniatür-Widerstandsthermometer für die sterile  
Verfahrenstechnik, Typ TR21 Ex i  
Miniature resistance thermometer for sanitary applications,  
model TR21 Ex i

gemäß gültigem Datenblatt  
according to the valid data sheet

TE 60.26; TE 60.27; TE 60.28

mit den nachfolgenden relevanten Harmonisierungsvorschriften der Union  
übereinstimmen  
are in conformity with the following relevant Union harmonisation legislation

Angewandte harmonisierte Normen  
Applied harmonised standards

- 2011/65/EU Gefährliche Stoffe (RoHS)  
Hazardous substances (RoHS)
- 2014/30/EU Elektromagnetische Verträglichkeit (EMV)<sup>(2)</sup>  
Electromagnetic Compatibility (EMC)<sup>(2)</sup>
- 2014/34/EU Explosionsschutz (ATEX)<sup>(1)</sup>  
Explosion protection (ATEX)<sup>(1)</sup>

EN IEC 63000:2018  
EN 61326-1:2013  
EN 61326-2-3:2013



- II 1G Ex ia IIC T1 - T6 Ga
- II 1/2G Ex ia IIC T1 - T6 Ga/Gb
- II 2G Ex ia IIC T1 - T6 Gb
- II 2G Ex ib IIC T1 - T6 Gb
- II 1/2G Ex ib IIC T1 - T6 Ga/Gb
- II 1D Ex ia IIIC T135 °C Da
- II 1/2D Ex ia IIIC T135 °C Da/Db
- II 2D Ex ia IIIC T135 °C Db
- II 2D Ex ib IIIC T135 °C Db
- II 1/2D Ex ib IIIC T135 °C Da/Db

<sup>(1)</sup>  
Zertifiziert nach / Certified to:  
EN 60079-0:2012 +A11:2013  
EN 60079-11:2012  
EN 60079-26:2012  
Entspricht auch / Also complies with:  
EN IEC 60079-0:2018  
EN 60079-26:2015

- (1) \* = A, B, C, D, E, F, G, H, I, J, K, O, W, 0, 1, 2, 3, 4, 5, 6, 7, 8, 9;  
EG-Baumusterprüfbescheinigung BVS 14 ATEX E 147 X von DEKRA Testing and Certification GmbH (Reg.-Nr. 0158).  
\* = A, B, C, D, E, F, G, H, I, J, K, O, W, 0, 1, 2, 3, 4, 5, 6, 7, 8, 9;  
EC type-examination certificate BVS 14 ATEX E 147 X of DEKRA EXAM Testing and Certification GmbH (Reg. No. 0158).
- (2) Nur mit Ausgangssignal 4 ... 20 mA  
With analogue output signal 4 ... 20 mA only
- (3) Für die angebauten Schutzrohre gelten deren EU-Konformitätserklärungen.  
For the thermowells their respective EU declarations of conformity apply.

Unterschiedet für und im Namen von / Signed for and on behalf of

**WIKAI Alexander Wiegand SE & Co. KG**  
Klingenberg, 2021-12-08

*A.V. S. Heif*  
Stefan Heidinger, Vice President  
Electrical Temperature Measurement

*R. Stapf*  
Roland Stapf, Head of Quality Management  
Process Instrumentation Corporate Quality

WIKAI Alexander Wiegand SE & Co. KG  
Alexander-Wiegand-Straße 30  
03911 Klingenberg  
Germany  
WEEE-Reg.-Nr. DE 92770372

Tel. +49 9372 132-0  
Fax +49 9372 132-406  
E-Mail: info@wika.de  
www.wika.de

Kommanditgesellschaft: Sitz Klingenberg –  
Amtsgericht Aschaffenburg HRA 1819

Komplementärin:  
WIKAI International SE - Sitz Klingenberg -  
Amtsgericht Aschaffenburg HRB 10506  
Vorstand: Alexander Wiegand  
Vorsitzender des Aufsichtsrats: Prof. Dr. Roderich C. Thümmel

21AR-04115

14:170746.05 03/2022 EN/DE/FR/ES

## Appendix 3: EPL Matrix

### EPL matrix

Model	Ex ia, Ex ib, Ex ic							Ex eb, Ex ec, Ex tb, Ex tc, Ex nA			
	EPL							Gb	Db	Gc	Dc
	Ga	Da	Ga/ Gb	Da/ Db	Gb	Db	Gc				
TR21-A	✓	✓	✓	✓	✓	✓	✓	-	-	-	-
TR21-B	✓	✓	✓	✓	✓	✓	✓	-	-	-	-
TR21-C	✓	✓	✓	✓	✓	✓	✓	-	-	-	-

EN



# Inhalt

<b>1. Ex-Kennzeichnung</b>	<b>22</b>
<b>2. Sicherheit</b>	<b>25</b>
<b>3. Inbetriebnahme, Betrieb</b>	<b>27</b>
<b>4. Besondere Bedingungen für die Verwendung (X-Conditions)</b>	<b>32</b>
<b>5. Berechnungsbeispiele für die Eigenerwärmung an der Schutzrohrspitze</b>	<b>33</b>
<b>6. Zubehör</b>	<b>33</b>
<b>Anlage 1: CSA control drawing</b>	<b>34</b>
<b>Anlage 2: EU-Konformitätserklärung</b>	<b>36</b>
<b>Anlage 3: EPL-Matrix</b>	<b>37</b>

Konformitätserklärungen finden Sie online unter [www.wika.de](http://www.wika.de).

# 1. Ex-Kennzeichnung

## Ergänzende Dokumentation:

- ▶ Diese Zusatzinformation für explosionsgefährdete Bereiche gilt im Zusammenhang mit der Betriebsanleitung „Miniatur-Widerstandsthermometer für die sterile Verfahrenstechnik, Typ TR21“ (Artikelnummer 14006814).

DE

# 1. Ex-Kennzeichnung



## GEFAHR!

### Lebensgefahr durch Verlust des Explosionsschutzes

Die Nichtbeachtung dieser Inhalte und Anweisungen kann zum Verlust des Explosionsschutzes führen.

- ▶ Sicherheitshinweise in diesem Kapitel sowie weitere Explosionshinweise in dieser Betriebsanleitung beachten.
- ▶ Die Anforderungen der ATEX-Richtlinie beachten.
- ▶ Die Angaben der geltenden Baumusterprüfbescheinigung sowie die jeweiligen Vorschriften zur Installation und Einsatz in explosionsgefährdeten Bereichen (z. B. IEC 60079-11, IEC 60079-10 und IEC 60079-14) einhalten.

Überprüfen, ob die Klassifizierung für den Einsatzfall geeignet ist. Die jeweiligen nationalen Vorschriften und Bestimmungen beachten.

## ATEX

### IECEx

- |         |                           |
|---------|---------------------------|
| II 1G   | Ex ia IIC T1 ... T6 Ga    |
| II 1/2G | Ex ia IIC T1 ... T6 Ga/Gb |
| II 2G   | Ex ia IIC T1 ... T6 Gb    |
| II 1D   | Ex ia IIIC T135 °C Da     |
| II 1/2D | Ex ia IIIC T135 °C Da/Db  |
| II 2D   | Ex ia IIIC T135 °C Db     |

# 1. Ex-Kennzeichnung

Für Anwendungen ohne Transmitter (Typen TR21-x-xPx, TR21-x-xRx), die Geräte der Gerätegruppe II (explosionsfähige Gasatmosphären) erfordern, gelten folgende Temperaturklasseneinteilung und Umgebungstemperaturbereiche:

Tabelle 1

Kennzeichnung		Temperaturklasse	Umgebungstemperaturbereich ( $T_a$ )	Max. Oberflächentemperatur ( $T_{max}$ ) an der Fühler- oder Schutzrohrspitze
ATEX	IECEX			
II 1G	Ex ia IIC T1 ... T6 Ga	T1 ... T5	-50 ... +85 °C	$T_M$ (Mediumstemperatur) + Eigenerwärmung  Hierzu sind die besonderen Bedingungen zu beachten (siehe Kapitel 4 „Besondere Bedingungen für die Verwendung (X-Conditions)“).
II 1/2G	Ex ia IIC T1 ... T6 Ga/Gb			
II 2G	Ex ia IIC T1 ... T6 Gb	T6	-50 ... +80 °C	

DE

Für Anwendungen, die Geräte der Gerätegruppe II (explosionsfähige Staubatmosphären) erfordern, gelten folgende Oberflächentemperaturen und Umgebungstemperaturbereiche:

Tabelle 2

Kennzeichnung		Leistung $P_i$	Umgebungstemperaturbereich ( $T_a$ )	Max. Oberflächentemperatur ( $T_{max}$ ) an der Fühler- oder Schutzrohrspitze
ATEX	IECEX			
II 1D	Ex ia IIIC T135 °C Da	750 mW	-50 ... +40 °C	$T_M$ (Mediumstemperatur) + Eigenerwärmung  Hierzu sind die besonderen Bedingungen zu beachten (siehe Kapitel 4 „Besondere Bedingungen für die Verwendung (X-Conditions)“).
II 1/2D	Ex ia IIIC T135 °C Da/Db			
II 2D	Ex ia IIIC T135 °C Db			
		650 mW	-50 ... +70 °C	
		550 mW	-50 ... +85 °C	

# 1. Ex-Kennzeichnung

Für Anwendungen mit Transmitter (TR21-x-xTT, TR21-x-xTB), die Geräte der Gerätegruppe II (explosionsfähige Gasatmosphären) erfordern, gelten die folgenden Temperaturklasseneinteilung und Umgebungstemperaturbereiche:

Tabelle 3

Explosionsgefährdete Gasatmosphäre		Temperaturklasse	Umgebungstemperaturbereich (T <sub>a</sub> )	Max. Oberflächentemperatur (T <sub>max</sub> ) an der Fühler- oder Schutzrohrspitze
ATEX	IECEX			
II 1G	Ex ia IIC T1 ... T6 Ga	T1 ... T4	-40 ... +85 °C	T <sub>M</sub> (Mediumstemperatur) + Eigenerwärmung
II 1/2G	Ex ia IIC T1 ... T6 Ga/Gb			
II 2G	Ex ia IIC T1 ... T6 Gb	T5	-40 ... +60 °C	Hierzu sind die besonderen Bedingungen zu beachten (siehe Kapitel 4 „Besondere Bedingungen für die Verwendung (X-Conditions)“).
		T6	-40 ... +45 °C	

Für Anwendungen, die Geräte der Gerätegruppe II (explosionsfähige Staubatmosphären) erfordern, gelten folgende Oberflächentemperaturen und Umgebungstemperaturbereiche:

Tabelle 4

Explosionsgefährdete Staubatmosphäre		Leistung P <sub>i</sub>	Umgebungstemperaturbereich (T <sub>a</sub> )	Max. Oberflächentemperatur (T <sub>max</sub> ) an der Fühler- oder Schutzrohrspitze
ATEX	IECEX			
II 1D	Ex ia IIIC T135 °C Da	750 mW	-40 ... +40 °C	T <sub>M</sub> (Mediumstemperatur) + Eigenerwärmung
II 1/2D	Ex ia IIIC T135 °C Da/Db			
II 2D	Ex ia IIIC T135 °C Db	650 mW	-40 ... +70 °C	Hierzu sind die besonderen Bedingungen zu beachten (siehe Kapitel 4 „Besondere Bedingungen für die Verwendung (X-Conditions)“).
		550 mW	-40 ... +85 °C	

Für Anwendungen, die EPL Gb oder Db erfordern, können die mit „ia“ gekennzeichneten Geräte auch in Messstromkreisen des Typs „ib“ mit den gleichen Anschlussparametern eingesetzt werden!

Somit ist der gesamte Messstromkreis (inklusive dem Sensorkreis) ein „ib“-Stromkreis. Geräte, die in Versorgungsstromkreisen vom Typ „ib“ betrieben wurden, dürfen nicht in Versorgungsstromkreisen vom Typ „ia“ wiederverwendet werden.



## 2. Sicherheit

### 2.1 Symbolerklärung



#### **GEFAHR!**

... weist auf eine möglicherweise gefährliche Situation im explosionsgefährdeten Bereich hin, die zum Tod oder zu schweren Verletzungen führen kann, wenn sie nicht gemieden wird.

DE

### 2.2 Bestimmungsgemäße Verwendung

Die hier beschriebenen Thermometer sind geeignet zur Temperaturmessung in explosionsgefährdeten Bereichen.

Das Nichtbeachten der Angaben für den Einsatz in explosionsgefährdeten Bereichen führt zum Verlust des Explosionsschutzes. Grenzwerte und technische Angaben einhalten (siehe Kapitel 3.4 „Elektrische Anschlusswerte“).

Reparaturen sowie bauliche Veränderungen sind nicht zulässig und führen zur Erlöschung der Garantie und der Zulassungen.

Der Austausch von Bauteilen kann die Eigensicherheit beeinträchtigen.

### 2.3 Verantwortung des Betreibers

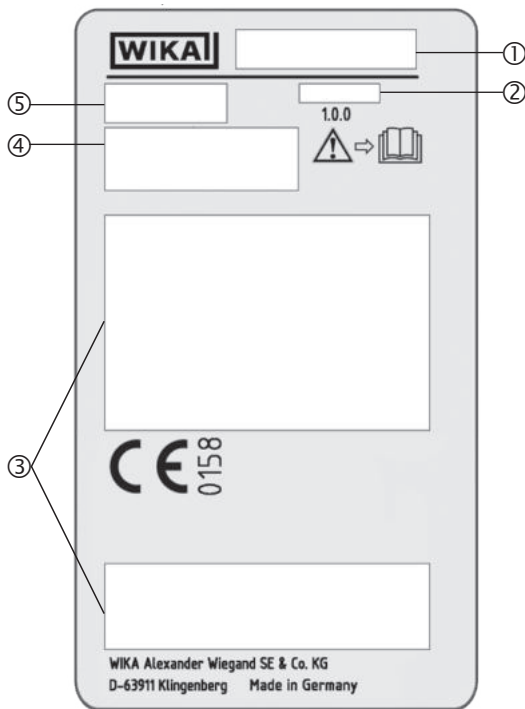
Die Verantwortung über die Zoneneinteilung unterliegt dem Anlagenbetreiber und nicht dem Hersteller/Lieferanten der Betriebsmittel.

### 2.4 Personalqualifikation

Das Elektrofachpersonal muss Kenntnisse haben über Zündschutzarten, Vorschriften und Verordnungen für Betriebsmittel in explosionsgefährdeten Bereichen.

### 2.5 Beschilderung, Sicherheitskennzeichnungen

#### Typenschilder (Beispiel)

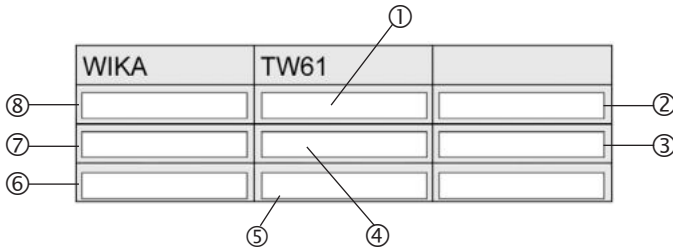


- ① Typ
- ② Herstellungsdatum (Jahr-Monat)
- ③ Zulassungsrelevante Daten
- ④ Angaben zur Ausführung (Messelement, Ausgangssignal, Messbereich...)
  - Thermometer mit Messumformer und Ausgangssignal 4 ... 20 mA
  - Thermometer mit direktem Sensorausgang mit Pt100 und Pt1000
- ⑤ Seriennummer, TAG-Nummer



Vor Montage und Inbetriebnahme des Gerätes unbedingt die Betriebsanleitung lesen!

### Schutzrohrkennzeichnung



- ① Max. Nenndruck
- ② Rohrnorm
- ③ CE-Kennzeichen
- ④ Hygieneklasse
- ⑤ Kurzzeichen des Umstempelberechtigten Prüfers
- ⑥ Materialcode (Baugruppe komplett)
- ⑦ Material Rohrkörper
- ⑧ Außendurchmesser x Wandstärke (in mm)

## 3. Inbetriebnahme, Betrieb



### GEFAHR!

#### Lebensgefahr durch Explosion

Durch die Verwendung eines Messeinsatzes ohne geeigneten Anschlusskopf (Gehäuse) besteht Explosionsgefahr, die zum Tod führen kann.

- ▶ Messeinsatz nur im dafür vorgesehenen Anschlusskopf betreiben.



### GEFAHR!

#### Lebensgefahr bei fehlender Geräteerdung

Bei fehlender oder falscher Geräteerdung besteht die Gefahr von gefährlicher Spannung (hervorgerufen durch z. B. mechanische Beschädigung, elektrostatische Aufladung oder Induktion).

- ▶ Thermometer erden!

Besondere Bedingungen beachten (siehe Kapitel 4 „Besondere Bedingungen für die Verwendung (X-Conditions)“, Punkt 2).

## 3. Inbetriebnahme, Betrieb

### 3.1 Montage in metallischen Behälter

- Das Gehäuse muss gegen elektromagnetische Felder und elektrostatische Aufladung geerdet werden.
- Es muss nicht gesondert an das Potentialausgleichsystem angeschlossen werden.
- Es ist ausreichend, wenn das metallische Schutzrohr festen und gesicherten Kontakt mit dem metallischen Behälter oder dessen Konstruktionsteilen oder Rohrleitungen hat, insofern diese Bauteile mit einem Potentialausgleichsystem verbunden sind.

### 3.2 Montage in nichtmetallische Behälter

- Den Kabelschirm einseitig und bevorzugt im sicheren, also Nicht-Ex-Bereich (EN 60079-14), erden. Bei Geräten mit Kabelausgang ist der Schirm mit dem Gehäuse verbunden. Der gleichzeitige Anschluss von Gehäuse und Kabelschirm an Erde ist nur dann zulässig, wenn eine Potentialverschleppung zwischen Schirmanschluss (z. B. an der Trennbarriere) und Gehäuse ausgeschlossen werden kann (siehe EN 60079-14).
- Das Widerstandsthermometer aus einem eigensicheren Stromkreis (Ex ia) versorgen.
- Die innere wirksame Kapazität und Induktivität beachten.
- Feindrahtige Leiterenden mit Aderendhülsen (Kabelkonfektionierung) versehen.

### 3.3 Elektrischer Anschluss

Die Temperaturbeständigkeit der Anschlussleitung muss dem zulässigen Betriebstemperaturbereich der Gehäuse entsprechen. Bei Umgebungstemperaturen über 60 °C sind wärmebeständige Anschlussleitungen zu verwenden (siehe Kapitel 6 „Zubehör“).

### 3.4 Elektrische Anschlusswerte

- **Thermometer mit Messumformer und Ausgangssignal 4 ... 20 mA (Typen TR21-x-xTT, TR21-x-xTB)**

Kenngrößen	Explosionsgefährdete Gasatmosphäre	Explosionsgefährdete Staubatmosphäre
Klemmen	+ / -	+ / -
Spannung $U_i$	DC 30 V	DC 30 V
Stromstärke $I_i$	120 mA	120 mA
Leistung $P_i$	800 mW	750/650/550 mW
Innere wirksame Kapazität $C_i$	29,7 nF	29,7 nF
Innere wirksame Induktivität $L_i$	vernachlässigbar	vernachlässigbar
Maximale Eigenerwärmung an der Fühler- oder Schutzrohrspitze	15 K	15 K

### 3. Inbetriebnahme, Betrieb

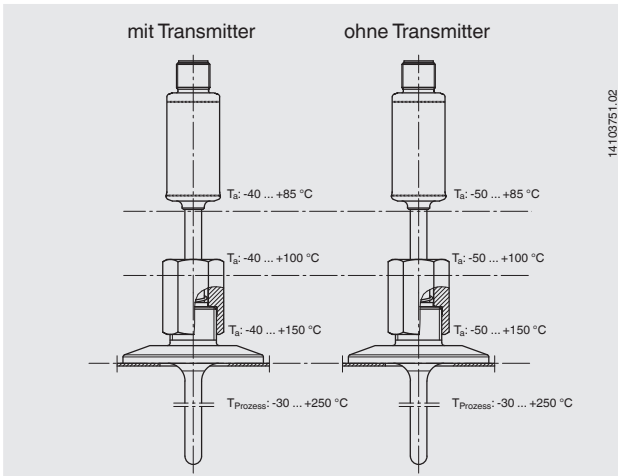
- Thermometer mit direktem Sensorausgang mit Pt100 (Typ TR21-x-xPx) und Pt1000 (Typ TR21-x-xRx)

Kenngößen	Explosionsgefährdete Gasatmosphäre	Explosionsgefährdete Staubatmosphäre
Klemmen	1 - 4	1 - 4
Spannung $U_i$	DC 30 V	DC 30 V
Stromstärke $I_i$	550 mA	250 mA
Leistung $P_i$	1.500 mW	750/650/550 mW
Innere wirksame Kapazität $C_i$	vernachlässigbar	vernachlässigbar
Innere wirksame Induktivität $L_i$	vernachlässigbar	vernachlässigbar
Maximale Eigenerwärmung an der Fühler- oder Schutzrohrspitze	$(R_{th}) = 335 \text{ K/W}$	$(R_{th}) = 335 \text{ K/W}$

DE

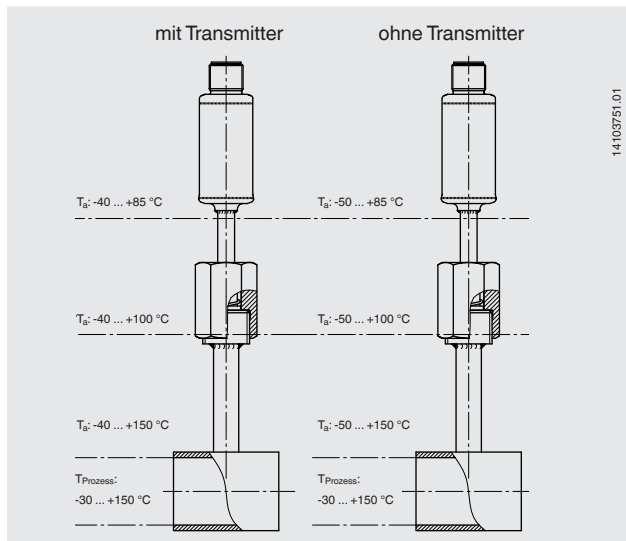
### 3.5 Übersicht der Temperaturzonen

- Typ TR21-A

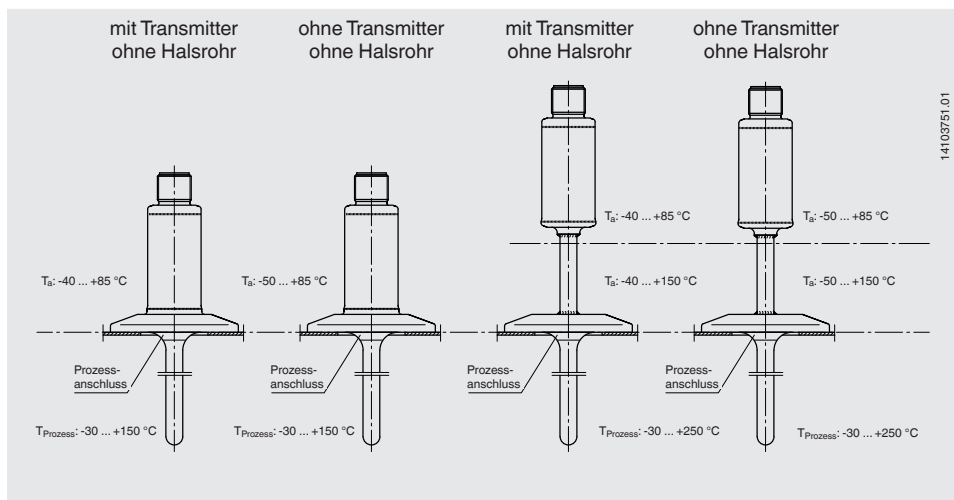


### 3. Inbetriebnahme, Betrieb

#### ■ Typ TR21-B



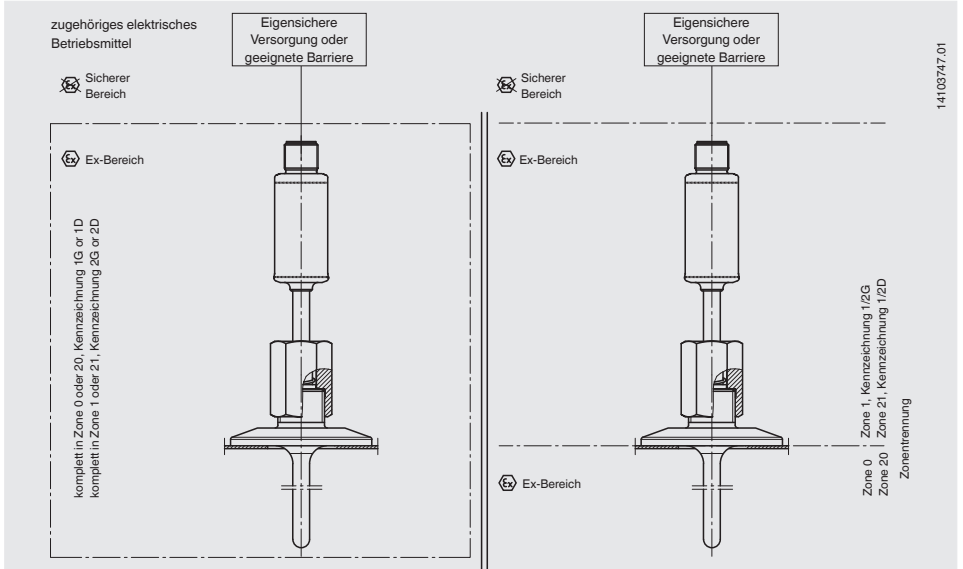
#### ■ Typ TR21-C



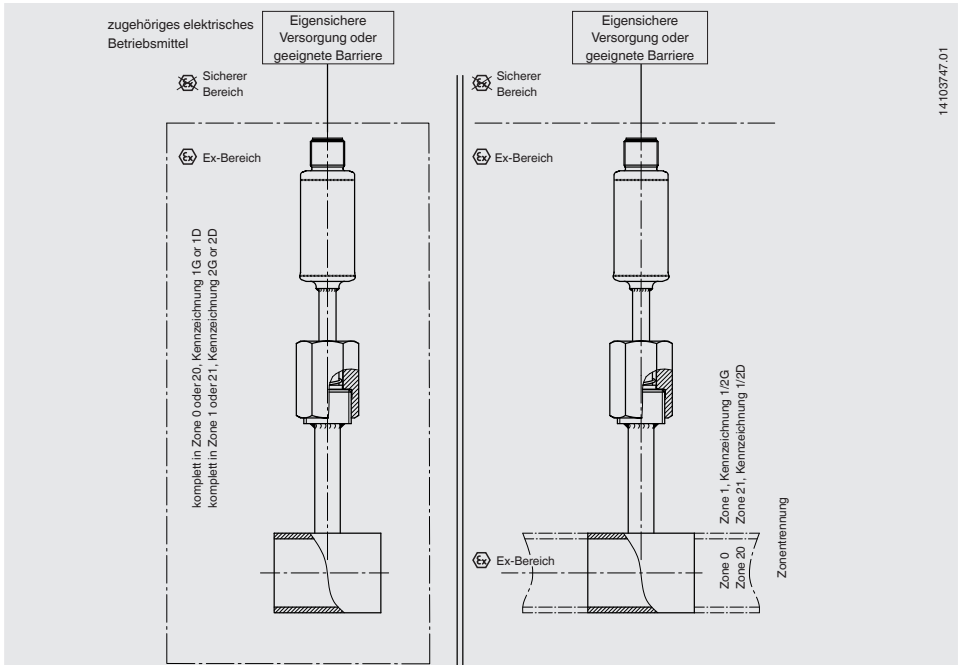
14170746.05 03/2022 EN/DE/FR/ES

## 3.6 Montagebeispiele

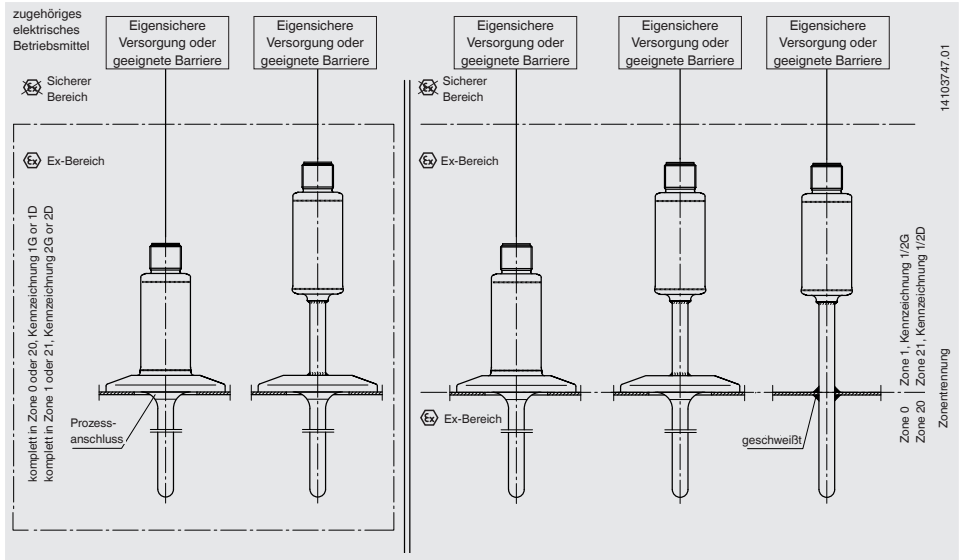
### ■ Typ TR21-A



### ■ Typ TR21-B



## ■ Typ TR21-C



## 4. Besondere Bedingungen für die Verwendung (X-Conditions)

1. Ein Wärmerückfluss aus dem Prozess welcher die zulässige Umgebungstemperatur des Transmitters oder des Gehäuses überschreitet, ist nicht zulässig und durch geeignete Wärmeisolierung oder ein entsprechend langes Halsrohr zu verhindern.
2. Die Wandstärke ist größer als 0,2 mm und kleiner als 1 mm. Die Geräte daher keinen Umgebungsbeanspruchungen aussetzen, die die Trennwand nachteilig beeinträchtigen können. Alternativ kann ein Schutzrohr mit entsprechender Mindestwandstärke eingesetzt werden.
3. Bei Verwendung eines Schutzrohres/Halsrohres muss das Gesamtgerät so konstruiert sein, dass ein Einbau in einer Art möglich ist, die zu einem genügend dichten Spalt (IP67) oder einem flammendurchschlagsicheren Spalt (EN/IEC 60079-1) hin zum weniger gefährdeten Bereich führt.
4. Die Umgebungstemperaturbereich ( $T_a$ ) für Varianten mit optionalem Anschlusskabel mit geformtem Stecker M12 x 1 ist begrenzt auf -20 ... +80 °C.
5. Die Umgebungstemperaturbereich ( $T_a$ ) für Varianten mit optionalem Adapter M12 - EN 175301 ist begrenzt auf -40 ... +85 °C.



## 5. Berechnungsbeispiele für die Eigenerwärmung an der Schutzrohrspitze

### 5.1 Beispielsberechnung

Einsatz an der Trennwand zur Zone 0

Gesucht wird die maximale mögliche Temperatur  $T_{\max}$  an der Schutzrohrspitze  $\varnothing$  6 mm mit Transmitter.

$T_{\max}$  ergibt sich aus der Addition der Mediumtemperatur sowie der Eigenerwärmung. Die Eigenerwärmung hängt ab von der zugeführten Leistung  $P_o$  sowie dem Wärmewiderstand  $R_{th}$  und beträgt 15 K.

#### Beispiel

Durchmesser: 6 mm

Mediumtemperatur:  $T_M = 150 \text{ °C}$

Temperaturklasse T3 (200 °C) darf nicht überschritten werden

Eigenerwärmung: 15 K

$T_{\max} = T_M + \text{Eigenerwärmung: } 150 \text{ °C} + 15 \text{ °C} = 165 \text{ °C}$

Als Sicherheitsabstand für baumustergeprüfte Geräte (für T6 bis T3) müssen von den 200 °C noch 5 °C subtrahiert werden, es wären 195 °C zulässig. Somit wird in diesem Fall die Temperaturklasse T3 nicht überschritten.

#### Zusatzinformation:

Temperaturklasse für T3 = 200 °C

Sicherheitsabstand für baumustergeprüfte Geräte (T6 bis T3) <sup>1)</sup> = 5 K

Sicherheitsabstand für baumustergeprüfte Geräte (T2 bis T1) <sup>1)</sup> = 10 K

1) EN/IEC 60079-0: 2012 Abs. 26.5.1

## 6. Zubehör

Zubehör	Bestellnummer	
<b>Anschlusskabel mit geformtem Stecker M12 x 1</b>		
■ Kabeldose gerade, 4-polig, Schutzart IP67 Temperaturbereich -20 ... +80 °C	2 m	14086880
	5 m	14086883
■ Winkeldose, 4-polig, Schutzart IP67 Temperaturbereich -20 ... +80 °C	2 m	14086889
	5 m	14086891

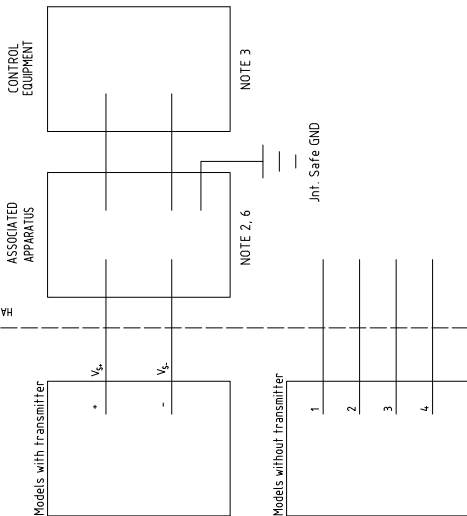
## Intrinsically safe installation

## NON HAZARDOUS LOCATION

## HAZARDOUS LOCATION :

Class I, Division 1 or 2, Groups A, B, C, D T1, T6  
 Class I, Zone 0 or 1, Ex/AEx ia IIC T1...T6 Ga  
 Class II or III, Division 1 or 2, Groups E, F, G T1...T6 / B5 °C  
 Class II or III, Zone 20 or 21, Ex/AEx ia IIC T135 °C Da

## HAZARDOUS BARRIER

ENTITY APPROVED /  
CERTIFIED INTRINSICALLY SAFE

## Notes:

- The intrinsic safety entity concept allows the interconnection of two intrinsically safe devices with entity parameters not specifically examined in combination as a system when:  
 $V_{max}$  or  $U_{i2}$  Voc, Vi or Uo, Imax or Ii2 Isc, If or Io, Pmax or Pi2 Po, Ca ≥ Ci + Ccable,  
 $I_a ≥ L_i + L_{cable}$ .
- Associated apparatus must be accordingly certified.
- Control equipment connected to the associated apparatus must not use or generate more than 250 Vrms or Vdc.
- Installation should be in accordance with the Canadian Electrical Code (CEC) part I for Canada or with ANSI/ISA RP2.06-01 "Installation of intrinsically safe systems for hazardous (classified) locations" and the National Electrical Code® (ANSI/NFPA 70) sections 504. and 505 for USA.
- The configuration of associated apparatus must be under entity concept.
- Associated apparatus manufacturer's installation drawing must be followed when installing this equipment.
- No revision to this drawing without prior approval.

## Entity parameters TR21-\*W-\*, TR31-\*W-\*, TR34-W-\*

Gas atmosphere	Dust atmosphere
Terminals + and - $U_i = DC 30 V$ $I_i = 120 mA$ $P_i = 800 mW$ $C_i = 29.7 nF$ $L_i = negligible$	Terminals + and - $U_i = DC 30 V$ $I_i = 120 mA$ $P_i = 750/650/550 mW$ $C_i = 29.7 nF$ $L_i = negligible$
Maximum self-heating at the tip of the probe or thermowell: 15 K	Maximum self-heating at the tip of the probe or thermowell: 15 K
Terminals 1 to 4 $U_i = DC 30 V$ $I_i = 550 mA$ $P_i = 1500 mW$ $C_i = negligible$ $L_i = negligible$	Terminals 1 to 4 $U_i = DC 30 V$ $I_i = 250 mA$ $P_i = 750/650/550 mW$ $C_i = negligible$ $L_i = negligible$
Maximum self-heating at the tip of the probe or thermowell (Rth) = 335 K/W	Maximum self-heating at the tip of the probe or thermowell (Rth) = 335 K/W

"WARNING - To prevent ignition of flammable or combustible atmospheres, read, understand and adhere to the accompanying live maintenance procedures."

"Warning - refer to accompanying installation, operating & service instructions for safe and proper usage."

## French warning text

"AVERTISSEMENT: Pour éviter l'ignition des atmosphères inflammables ou combustibles, veuillez lire, comprendre et respecter les procédures d'entretien ci-jointes."  
 "AVERTISSEMENT: Se référer aux instructions concernant l'installation, le fonctionnement et le service pour une utilisation sûre et correcte."

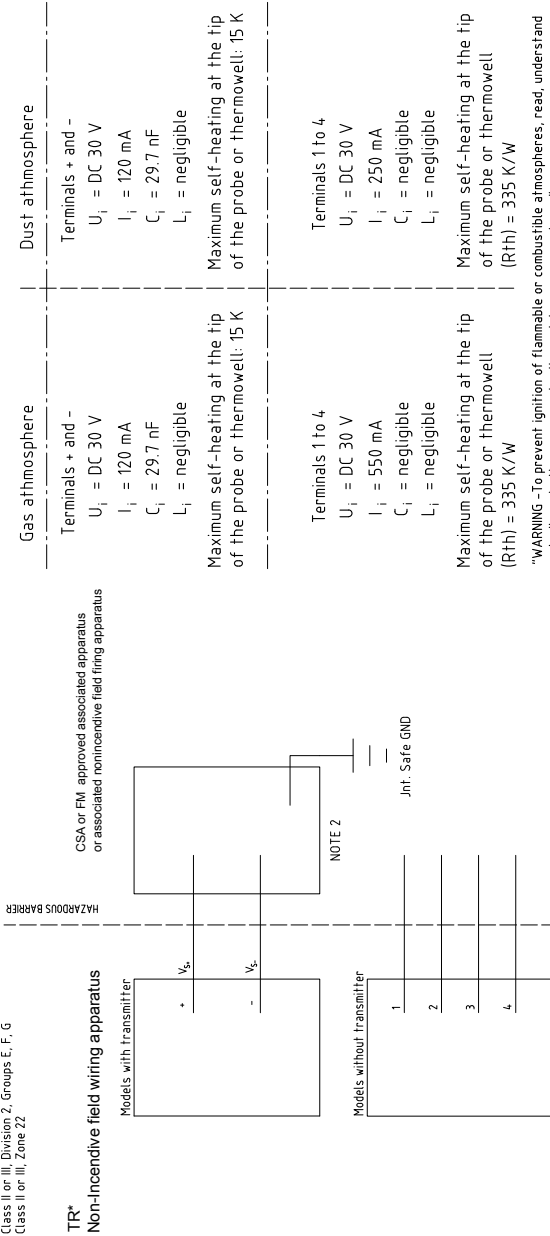
## Nonincendive field wiring installation

NON HAZARDOUS LOCATION

HAZARDOUS LOCATION :  
 Class I, Division 2, Groups A, B, C, D  
 Class I, Zone 2, IIC  
 Class II or III, Division 2, Groups E, F, G  
 Class II or III, Zone 22

NIFW parameters TR21\*-W-\*, TR31\*-W-\*, TR34-W-\*

Intrinsic safety barrier not required.  $V_{max}$  or  $U_i \leq DC 30V$



TR\*  
 Non-Incendive field wiring apparatus

CSA or FM approved associated apparatus  
 or associated nonincendive field firing apparatus

HAZARDOUS BARRIER

Gas atmosphere

Terminals + and -

$U_i = DC 30 V$

$I_i = 120 mA$

$C_i = 29.7 nF$

$L_i = negligible$

Maximum self-heating at the tip  
 of the probe or thermowell: 15 K

Dust atmosphere

Terminals + and -

$U_i = DC 30 V$

$I_i = 120 mA$

$C_i = 29.7 nF$

$L_i = negligible$

Maximum self-heating at the tip  
 of the probe or thermowell: 15 K

Terminals 1 to 4

$U_i = DC 30 V$

$I_i = 550 mA$

$C_i = negligible$

$L_i = negligible$

Maximum self-heating at the tip  
 of the probe or thermowell  
 (Rth) = 335 K/W

Terminals 1 to 4

$U_i = DC 30 V$

$I_i = 250 mA$

$C_i = negligible$

$L_i = negligible$

Maximum self-heating at the tip  
 of the probe or thermowell  
 (Rth) = 335 K/W

"WARNING - To prevent ignition of flammable or combustible atmospheres, read, understand and adhere to the accompanying live maintenance procedures."

**Notes:**

1. Nonincendive field wiring enables interconnection of nonincendive field wiring apparatus with associated nonincendive field wiring apparatus or associated intrinsically safe apparatus not specifically examined in combination as a system under one of the following conditions:

- a) Current Controlled
- b) Normal operating current controlled or limited by the nonincendive field wiring apparatus (unlike the requirements for intrinsically safe apparatus  $I_{max}$  or  $I_i$  of the nonincendive field wiring apparatus need not be greater than the Isc,  $I_i$  or  $I_o$  of the associated nonincendive field wiring apparatus)

- $V_{max}$  or  $U_i \geq Voc$ ,  $Vt$  or  $U_o$ ;  $Ca \geq Ci + Ccable$ ;  $La \geq Li + Lcable$
- b) Not current controlled
- Normal operating voltage or current not controlled or limited by the nonincendive field wiring apparatus
- $V_{max}$  or  $U_i \geq Voc$ ,  $Vt$  or  $U_o$ ,  $I_{max}$  or  $I_i \geq Isc$ ,  $I_t$  or  $I_o$ ,  $Ca \geq Ci + Ccable$ ;  $La \geq Li + Lcable$

- 2. Associated apparatus manufacturer's installation drawing must be followed when installing this equipment.
- 3. No revision to this drawing without prior approval.

"Warning - Refer to accompanying installation, operating & service instructions for safe and proper usage."  
 French warning text  
 "AVERTISSEMENT: Pour éviter l'ignition des atmosphères inflammables ou combustibles, veuillez lire, comprendre et respecter les procédures d'entretien ci-jointes."  
 "AVERTISSEMENT: Se référer aux instructions concernant l'installation, le fonctionnement et le service pour une utilisation sûre et correcte."



## EU-Konformitätserklärung EU Declaration of Conformity

Dokument Nr.  
Document No.

14115255.05

Wir erklären in alleiniger Verantwortung, dass die mit CE gekennzeichneten Produkte  
We declare under our sole responsibility that the CE marked products

Typenbezeichnung  
Type Designation

TR21-A-\*(1); TR21-B-\*(1), (3); TR21-C-\*(1)

Beschreibung  
Description

Miniatür-Widerstandsthermometer für die sterile  
Verfahrenstechnik, Typ TR21 Ex i  
Miniature resistance thermometer for sanitary applications,  
model TR21 Ex i

gemäß gültigem Datenblatt  
according to the valid data sheet

TE 60.26; TE 60.27; TE 60.28

mit den nachfolgenden relevanten Harmonisierungsvorschriften der Union  
übereinstimmen  
are in conformity with the following relevant Union harmonisation legislation

Angewandte harmonisierte Normen  
Applied harmonised standards

2011/65/EU Gefährliche Stoffe (RoHS) EN IEC 63000:2018

2014/30/EU Elektromagnetische Verträglichkeit (EMV)<sup>(2)</sup> EN 61326-1:2013  
Electromagnetic Compatibility (EMC)<sup>(2)</sup> EN 61326-2-3:2013

2014/34/EU Explosionsschutz (ATEX)<sup>(1)</sup>  
Explosion protection (ATEX)<sup>(1)</sup>



II 1G Ex ia IIC T1 - T6 Ga  
II 1/2G Ex ia IIC T1 - T6 Ga/Gb  
II 2G Ex ia IIC T1 - T6 Gb  
II 2G Ex ib IIC T1 - T6 Gb  
II 1/2G Ex ib IIC T1 - T6 Ga/Gb  
II 1D Ex ia IIIC T135 °C Da  
II 1/2D Ex ia IIIC T135 °C Da/Db  
II 2D Ex ia IIIC T135 °C Db  
II 2D Ex ib IIIC T135 °C Db  
II 1/2D Ex ib IIIC T135 °C Da/Db

<sup>(1)</sup>  
Zertifiziert nach / Certified to:  
EN 60079-0:2012 +A11:2013  
EN 60079-11:2012  
EN 60079-26:2012

Entspricht auch / Also complies with:  
EN IEC 60079-0:2018  
EN 60079-26:2015

- (1) \* = A, B, C, D, E, F, G, H, I, J, K, O, W, 0, 1, 2, 3, 4, 5, 6, 7, 8, 9;  
EG-Baumusterprüfbescheinigung BVS 14 ATEX E 147 X von DEKRA Testing and Certification GmbH (Reg.-Nr. 0158).  
\* = A, B, C, D, E, F, G, H, I, J, K, O, W, 0, 1, 2, 3, 4, 5, 6, 7, 8, 9;  
EC type-examination certificate BVS 14 ATEX E 147 X of DEKRA EXAM Testing and Certification GmbH (Reg. No. 0158).
- (2) Nur mit Ausgangssignal 4 ... 20 mA  
With analogue output signal 4 ... 20 mA only
- (3) Für die angebauten Schutzrohre gelten deren EU-Konformitätserklärungen.  
For the thermowells their respective EU declarations of conformity apply.

Unterzeichnet für und im Namen von / Signed for and on behalf of

**WIKAI Alexander Wiegand SE & Co. KG**  
Klingenberg, 2021-12-08

*A.V. S. Heif*  
Stefan Heidinger, Vice President  
Electrical Temperature Measurement

*R. Stapf*  
Roland Stapf, Head of Quality Management  
Process Instrumentation Corporate Quality

WIKAI Alexander Wiegand SE & Co. KG  
Alexander-Wiegand-Straße 30  
03911 Klingenberg  
Germany  
WEEE-Reg.-Nr. DE 92770372

Tel. +49 9372 132-0  
Fax +49 9372 132-406  
E-Mail info@wika.de  
www.wika.de

Kommanditgesellschaft; Sitz Klingenberg –  
Amtsgericht Aschaffenburg HRA 1819

Komplementärin:  
WIKAI International SE - Sitz Klingenberg -  
Amtsgericht Aschaffenburg HRB 10506  
Vorstand: Alexander Wiegand  
Vorsitzender des Aufsichtsrats: Prof. Dr. Roderich C. Thümmel

21AR-04115

# Anlage 3: EPL-Matrix

## EPL-Matrix

Typ	Ex ia, Ex ib, Ex ic							Ex eb, Ex ec, Ex tb, Ex tc, Ex nA			
	EPL										
	Ga	Da	Ga/ Gb	Da/ Db	Gb	Db	Gc	Gb	Db	Gc	Dc
TR21-A	✓	✓	✓	✓	✓	✓	✓	-	-	-	-
TR21-B	✓	✓	✓	✓	✓	✓	✓	-	-	-	-
TR21-C	✓	✓	✓	✓	✓	✓	✓	-	-	-	-

DE



DE

# Sommaire

<b>1. Marquage Ex</b>	<b>40</b>
<b>2. Sécurité</b>	<b>43</b>
<b>3. Mise en service, utilisation</b>	<b>45</b>
<b>4. Conditions spécifiques pour une utilisation sûre (conditions X)</b>	<b>50</b>
<b>5. Exemples de calculs pour auto-échauffement à l'extrémité du doigt de gant</b>	<b>51</b>
<b>6. Accessoires</b>	<b>51</b>
<b>Annexe 1 : Dessin de contrôle CSA</b>	<b>52</b>
<b>Annexe 2 : Déclaration de conformité UE</b>	<b>54</b>
<b>Annexe 3 : Matrice EPL</b>	<b>55</b>

Déclarations de conformité disponibles sur [www.wika.fr](http://www.wika.fr).

# 1. Marquage Ex

## Documentation supplémentaire :

- ▶ Ces informations complémentaires concernant les zones dangereuses s'appliquent en conjonction avec le mode d'emploi "Sondes à résistance miniatures pour applications sanitaires, type TR21" (numéro d'article 14006814).

FR

## 1. Marquage Ex



### **DANGER !**

#### **Danger de mort due à la perte de la protection contre les explosions**

Le non respect de ces instructions et de leurs contenus peut entraîner une perte de la protection contre les explosions.

- ▶ Observer les instructions de sécurité de ce chapitre et les autres instructions liées aux explosions de ce mode d'emploi.
- ▶ Respecter les exigences de la directive ATEX.
- ▶ Respecter les indications du certificat d'examen de type valable de même que les prescriptions nationales respectives concernant le montage et l'utilisation en zone explosive (par exemple CEI 60079-11, CEI 60079-10 et CEI 60079-14).

Contrôler que la classification est adaptée à l'application. Observer les réglementations nationales concernées.

### **ATEX**

#### **IECEX**

- |         |                           |
|---------|---------------------------|
| II 1G   | Ex ia IIC T1 ... T6 Ga    |
| II 1/2G | Ex ia IIC T1 ... T6 Ga/Gb |
| II 2G   | Ex ia IIC T1 ... T6 Gb    |
| II 1D   | Ex ia IIIC T135 °C Da     |
| II 1/2D | Ex ia IIIC T135 °C Da/Db  |
| II 2D   | Ex ia IIIC T135 °C Db     |



# 1. Marquage Ex

Pour les applications sans transmetteurs (types TR21-x-xPx et TR21-x-xRx) qui requièrent des instruments de groupe II (atmosphères gazeuses potentiellement explosives), la classification de classe de température et les plages de température ambiante suivantes s'appliquent :

Tableau 1

Marquage		Classe de température	Plage de température ambiante ( $T_a$ )	Température maximale de surface ( $T_{max}$ ) à l'extrémité du capteur ou du gaine
ATEX	IECEX			
II 1G	Ex ia IIC T1 ... T6 Ga	T1 ... T5	-50 ... +85 °C	$T_M$ (température du fluide) + auto-échauffement  Pour ceci, il faut observer les conditions spéciales (voir chapitre 4 "Conditions spécifiques pour une utilisation sûre (conditions X)").
II 1/2G	Ex ia IIC T1 ... T6 Ga/Gb			
II 2G	Ex ia IIC T1 ... T6 Gb			
		T6	-50 ... +80 °C	

FR

Pour les applications qui requièrent des instruments du Groupe II (atmosphères poussiéreuses potentiellement explosives), les températures de surface suivantes et les plages de température ambiante suivantes s'appliquent :

Tableau 2

Marquage		Puissance $P_i$	Plage de température ambiante ( $T_a$ )	Température maximale de surface ( $T_{max}$ ) à l'extrémité du capteur ou du gaine
ATEX	IECEX			
II 1D	Ex ia IIIC T135 °C Da	750 mW	-50 ... +40 °C	$T_M$ (température du fluide) + auto-échauffement  Pour ceci, il faut observer les conditions spéciales (voir chapitre 4 "Conditions spécifiques pour une utilisation sûre (conditions X)").
II 1/2D	Ex ia IIIC T135 °C Da/Db			
II 2D	Ex ia IIIC T135 °C Db	650 mW	-50 ... +70 °C	
		550 mW	-50 ... +85 °C	

# 1. Marquage Ex

Pour les applications avec transmetteurs (TR21-x-xTT, TR21-x-xTB) qui requièrent des instruments de groupe II (atmosphères gazeuses potentiellement explosives), la classification de classe de température et les plages de température ambiante suivantes s'appliquent :

Tableau 3

Atmosphère de gaz dangereuse		Classe de température	Plage de température ambiante ( $T_a$ )	Température maximale de surface ( $T_{max}$ ) à l'extrémité du capteur ou du gaine
ATEX	IECEX			
II 1G	Ex ia IIC T1 ... T6 Ga	T1 ... T4	-40 ... +85 °C	T <sub>M</sub> (température du fluide) + auto-échauffement
II 1/2G	Ex ia IIC T1 ... T6 Ga/Gb			
II 2G	Ex ia IIC T1 ... T6 Gb			
		T5	-40 ... +60 °C	Pour ceci, il faut observer les conditions spéciales (voir chapitre 4 "Conditions spécifiques pour une utilisation sûre (conditions X)").
		T6	-40 ... +45 °C	

Pour les applications qui requièrent des instruments du Groupe II (atmosphères poussiéreuses potentiellement explosives), les températures de surface suivantes et les plages de température ambiante suivantes s'appliquent :

Tableau 4

Atmosphère poussiéreuse dangereuse		Puissance $P_i$	Plage de température ambiante ( $T_a$ )	Température maximale de surface ( $T_{max}$ ) à l'extrémité du capteur ou du gaine
ATEX	IECEX			
II 1D	Ex ia IIIC T135 °C Da	750 mW	-40 ... +40 °C	T <sub>M</sub> (température du fluide) + auto-échauffement
II 1/2D	Ex ia IIIC T135 °C Da/Db	650 mW		
II 2D	Ex ia IIIC T135 °C Db			
		550 mW	-40 ... +70 °C	Pour ceci, il faut observer les conditions spéciales (voir chapitre 4 "Conditions spécifiques pour une utilisation sûre (conditions X)").
			-40 ... +85 °C	

Pour les applications qui requièrent EPL Gb or Db, les instruments désignés avec "ia" peuvent aussi être utilisés dans les circuits de mesure de type "ib", avec les mêmes paramètres de connexion.

Tout le circuit de mesure (incluant le circuit du capteur) est ainsi un circuit "ib". Les instruments qui ont été manipulés dans un circuit d'alimentation électrique de type "ib" ne peuvent pas être réutilisés dans un circuit d'alimentation de type "ia".

## 2. Sécurité

### 2.1 Explication des symboles



#### **DANGER !**

... indique une situation en zone explosive présentant des risques susceptibles de provoquer la mort ou des blessures graves si elle n'est pas évitée.

### 2.2 Utilisation conforme à l'usage prévu

Les thermomètres décrits ici conviennent à des fins de mesure de la température en zone explosive.

Le non-respect des instructions pour utilisation en zones explosives peut conduire à la perte de la protection contre les explosions. Correspondre aux valeurs limites et instructions (voir chapitre 3.4 "Valeurs de raccordement électrique").

D'éventuelles réparations ou des modifications structurelles ne sont pas autorisées et entraînent l'extinction de la garantie et de l'agrément.

Le remplacement de tout composant peut affecter la sécurité intrinsèque.

### 2.3 Responsabilité de l'opérateur

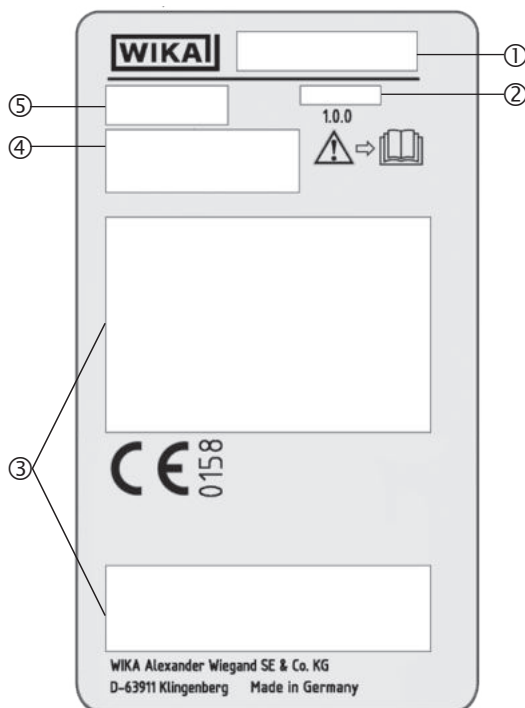
La classification des zones est une responsabilité qui incombe à l'exploitant du site et non au fabricant/fournisseur de l'équipement.

### 2.4 Qualification du personnel

Le personnel qualifié en électricité doit avoir les connaissances requises des types de protection contre l'ignition, des réglementations et dispositions concernant les équipements en zones explosives.

### 2.5 Etiquetage, marquages de sécurité

#### Plaques signalétiques (exemple)

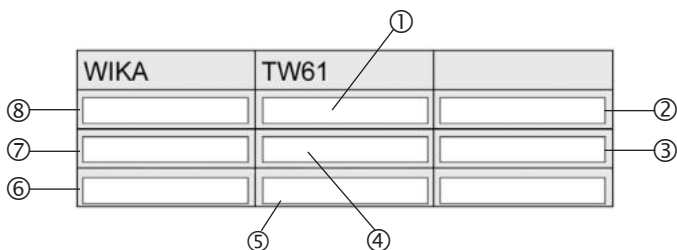


- ① Type
- ② Date de fabrication (année-mois)
- ③ Données d'agrément liées
- ④ Informations concernant la version (élément de mesure, signal de sortie, étendue de mesure ...)
  - Sonde avec transmetteur et signal de sortie 4 ... 20 mA
  - Thermomètre avec sortie capteur directe avec Pt100 et Pt1000
- ⑤ Numéro de série, numéro d'étiquette



Lire impérativement le mode d'emploi avant le montage et la mise en service de l'instrument !

### Marquage de gaine



- ① Pression nominale max.
- ② Tuyauterie standard
- ③ Marquage CE
- ④ Classe hygiénique
- ⑤ Identification de l'inspecteur qualifié (pour l'agrément)
- ⑥ Code du matériau (assemblage complet)
- ⑦ Matériau du corps tubulaire
- ⑧ Diamètre extérieur x épaisseur (en mm)

## 3. Mise en service, utilisation



### **DANGER !**

#### **Danger d'explosion mortelle**

Si l'on utilise un insert de mesure sans tête de raccordement adéquate (boîtier), on court un risque d'explosion qui peut causer des pertes humaines.

- ▶ N'utiliser l'insert de mesure que dans la tête de raccordement prévue à cet effet.



### **DANGER !**

#### **Danger vital dû à une absence de mise à la terre de l'appareil**

Si la mise à la terre est absente ou incorrecte, il y a un risque de tensions dangereuses (conduisant, par exemple, à des dommages mécaniques, à des charges électrostatiques ou à une induction).

- ▶ Mettre le thermomètre à la terre !

Observer les conditions spéciales (voir chapitre 4 "Conditions spécifiques pour une utilisation sûre (conditions X)", point 2).

## 3. Mise en service, utilisation

### 3.1 Montage dans des boîtiers métalliques

- Le boîtier doit être relié à la terre pour protéger l'instrument contre les champs électromagnétiques et toute charge électrostatique.
- Il n'a pas besoin d'être connecté séparément au système de liaison équipotentielle.
- Cela suffit si le doigt de gant métallique a un contact solide et sécurisé avec la cuve métallique ou ses composants structurels ou ses conduites, aussi longtemps que ces composants sont raccordés au système de liaison équipotentielle.

### 3.2 Montage dans des boîtiers non-métalliques

- Mettre le câble blindé à la terre à une extrémité, préférablement dans la zone sûre et donc non-Ex (EN 60079-14). Pour les instruments avec sortie câble, la gaine est connectée au boîtier. La connexion simultanée du boîtier et du câble blindé à la terre est permise uniquement si toute perte de potentiel entre la connexion de blindage (par exemple à la barrière isolée) et le boîtier peut être exclue (voir EN 60079-14).
- Alimenter la sonde à résistance au moyen d'un circuit de courant intrinsèquement sûr (Ex ia).
- La capacité interne effective et l'inductance doivent être prises en compte
- Les liaisons souples dont l'extrémité est dénudée doivent être terminées par des embouts (confection de câbles)

### 3.3 Raccordement électrique

La résistance à la température du câble de raccordement doit correspondre à la température de fonctionnement admissible des boîtiers. Pour des températures ambiantes supérieures à 60 °C, il faut utiliser des câbles de raccordement résistants à la chaleur (voir chapitre 6 "Accessoires").

### 3.4 Valeurs de raccordement électrique

- **Sonde avec transmetteur et signal de sortie 4 ... 20 mA (types TR21-x-xTT, TR21-x-xTB)**

Paramètres	Atmosphère de gaz dangereuse	Atmosphère poussiéreuse dangereuse
Bornes	+ / -	+ / -
Tension $U_i$	30 VDC	30 VDC
Courant $I_i$	120 mA	120 mA
Puissance $P_i$	800 mW	750/650/550 mW
Capacité interne effective $C_i$	29,7 nF	29,7 nF
Conductivité interne effective $L_i$	négligeable	négligeable
Auto-échauffement maximal sur l'extrémité du capteur ou du doigt de gant	15 K	15 K

### 3. Mise en service, utilisation

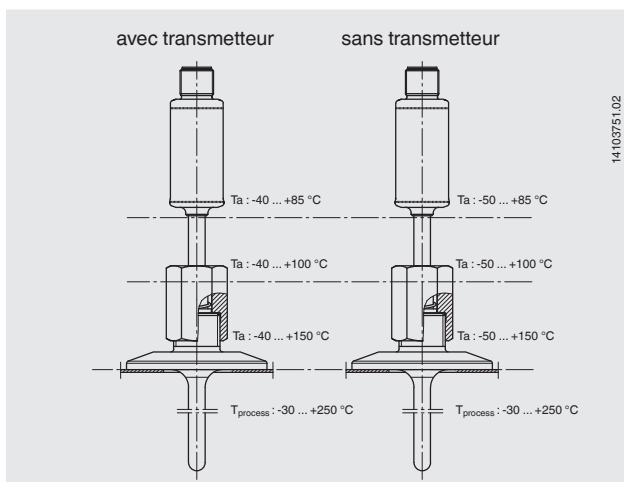
- Thermomètre avec sortie capteur directe avec Pt100 (type TR21-x-xPx) et Pt1000 (type TR21-x-Rx)

Paramètres	Atmosphère de gaz dangereuse	Atmosphère poussiéreuse dangereuse
Bornes	1 - 4	1 - 4
Tension $U_i$	30 VDC	30 VDC
Courant $I_i$	550 mA	250 mA
Puissance $P_i$	1.500 mW	750/650/550 mW
Capacité interne effective $C_i$	négligeable	négligeable
Conductivité interne effective $L_i$	négligeable	négligeable
Auto-échauffement maximal sur l'extrémité du capteur ou du doigt de gant	$(R_{th}) = 335 \text{ K/W}$	$(R_{th}) = 335 \text{ K/W}$

FR

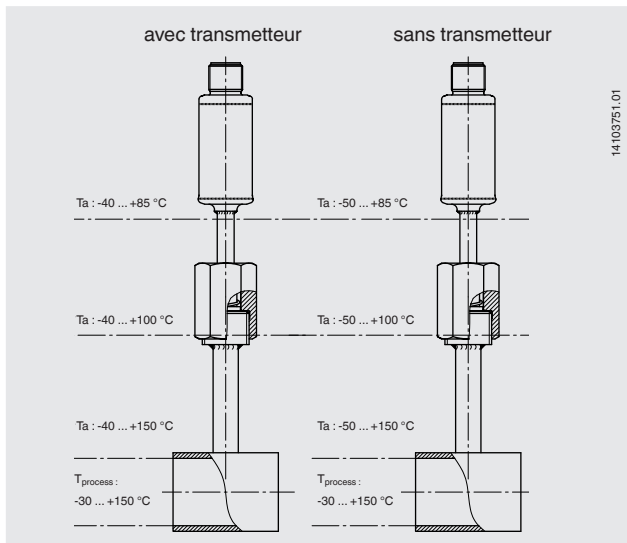
### 3.5 Vue générale des zones de température

- Type TR21-A

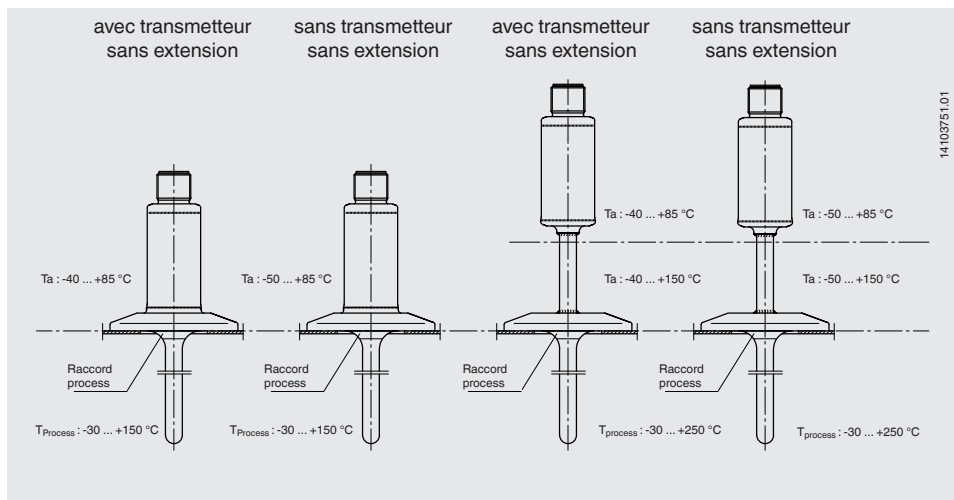


### 3. Mise en service, utilisation

#### ■ Type TR21-B



#### ■ Type TR21-C

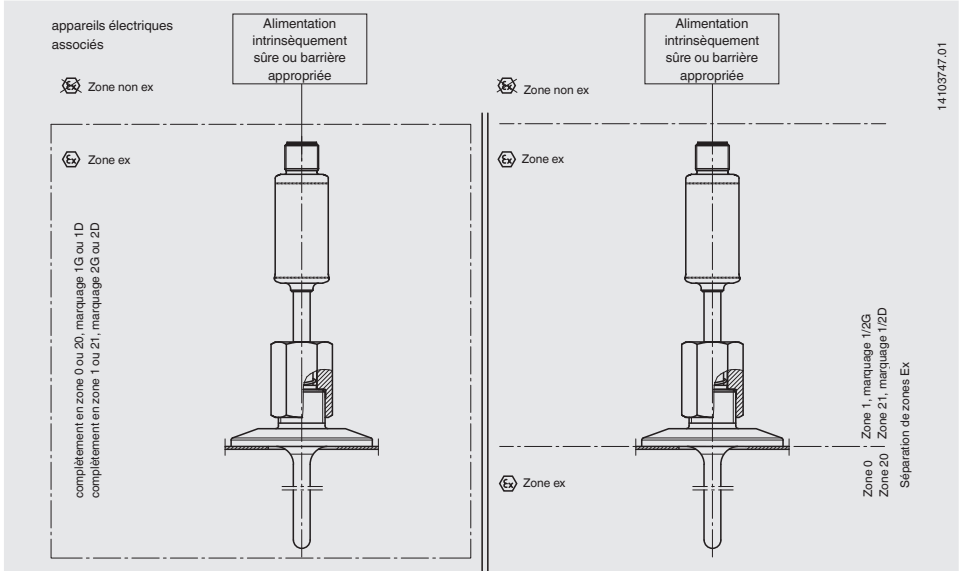


14170746.05 03/2022 EN/DE/FR/ES

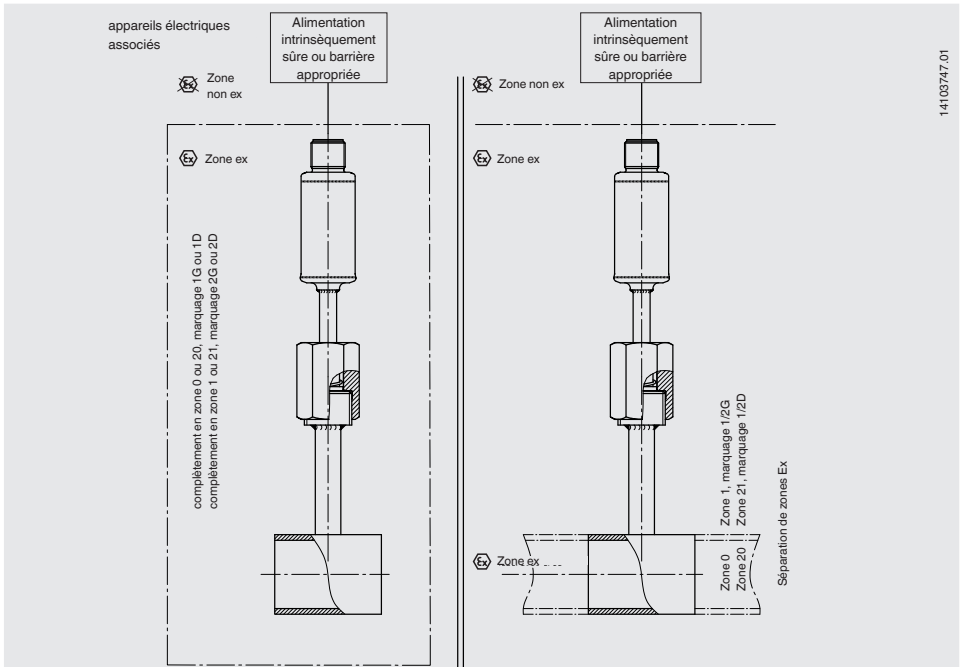


## 3.6 Exemples d'installation

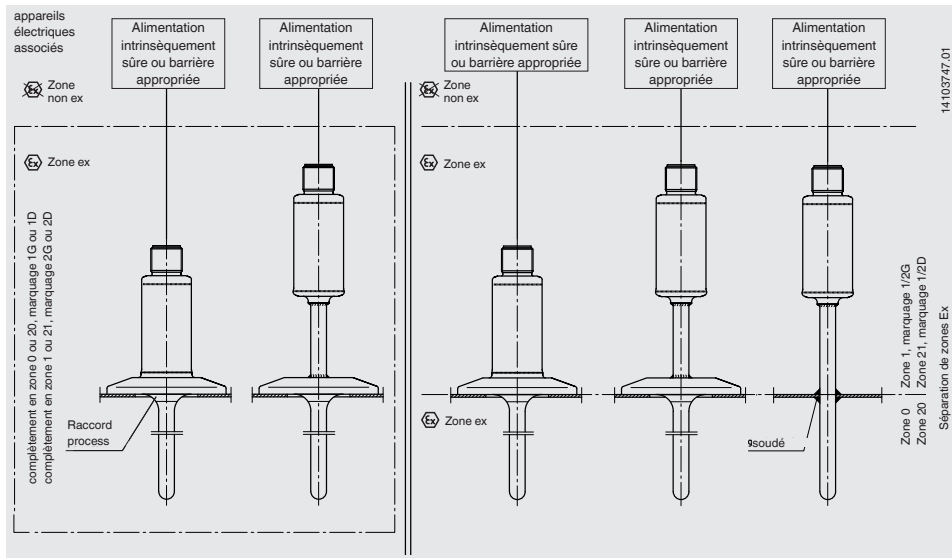
### ■ Type TR21-A



### ■ Type TR21-B



#### ■ Type TR21-C



### 4. Conditions spécifiques pour une utilisation sûre (conditions X)

1. Un reflux thermique en provenance du process dépassant la température ambiante admissible du transmetteur ou des boîtiers ne doit pas se produire et doit être empêché par l'installation d'une isolation thermique appropriée ou par une extension de longueur appropriée.
2. L'épaisseur de paroi est supérieure à 0,2 mm et inférieure à 1 mm. Ainsi, les instruments ne doivent pas être soumis aux contraintes ambiantes qui pourraient avoir un effet négatif sur la partition. On peut aussi utiliser un doigt de gant ayant une épaisseur minimale de paroi convenable.
3. Lorsqu'on utilise un doigt de gant ou une extension, l'appareil tout entier doit être conçu de telle sorte qu'il permet l'installation d'une manière à avoir un écart suffisamment faible (IP67) ou un écart antidéflagrant (EN/IEC 60079-1) vers la zone moins dangereuse.
4. La plage de température ambiante ( $T_a$ ) pour des variantes avec un câble de connexion en option avec un connecteur M12 x 1 moulé est limitée à -20 ... +80 °C.
5. La plage de température ambiante ( $T_a$ ) pour des variantes avec des adaptateurs en option M12 en conformité avec EN 175301 est limitée à -40 ... +85 °C.

### 5. Exemples de calculs pour auto-échauffement à l'extrémité du doigt de gant

#### 5.1 Exemple de calcul

Utilisation sur la partition vers la zone 0

On cherche la température maximale possible  $T_{\max}$ , à l'extrémité de doigt de gant  $\varnothing$  6 mm avec transmetteur.

$T_{\max}$  est obtenue par l'addition de la température du fluide et de l'auto-échauffement. L'auto-échauffement dépend de la puissance alimentée  $P_o$  et de la résistance thermique  $R_{th}$  et est de 15 K.

#### Exemple

Diamètre : 6 mm

Température du fluide :  $T_M = 150 \text{ °C}$

La classe de température T3 (200 °C) ne doit pas être dépassée

Auto-échauffement : 15 K

$T_{\max} = T_M + \text{auto-échauffement} : 150 \text{ °C} + 15 \text{ °C} = 165 \text{ °C}$

Comme marge de sécurité pour des instruments certifiés (pour T6 à T3), 5 °C supplémentaires doivent être déduits des 200 °C ; 195 °C seraient donc acceptables. Cela signifie que, dans ce cas, la classe de température T3 n'est pas dépassée.

#### Informations complémentaires :

Température classe pour T3 = 200 °C

Marge de sécurité pour les appareils avec attestation d'examen (T6 à T3) <sup>1)</sup> = 5 K

Marge de sécurité pour les appareils avec attestation d'examen (T2 à T1) <sup>1)</sup> = 10 K

1) Norme EN/CEI 60079-0 : 2012 alinéa 26.5.1

## 6. Accessoires

Accessoires	Code article	
<b>Câble de connexion avec connecteur moulé M12 x 1</b>		
■ Boîtier de raccordement droit, 4 plots, indice de protection IP67 Plage de température -20 ... +80 °C	2 m	14086880
	5 m	14086883
■ Prise de câble coudé, 4 plots, indice de protection IP67 Plage de température -20 ... +80 °C	2 m	14086889
	5 m	14086891

## Intrinsically safe installation

### NON HAZARDOUS LOCATION

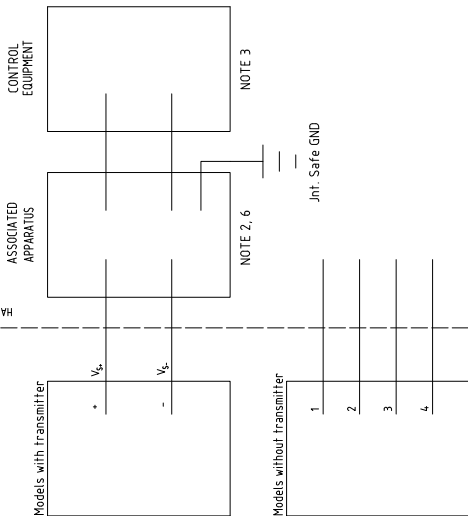
**HAZARDOUS LOCATION :**  
 Class I, Division 1 or 2, Groups A, B, C, D, T1, T6  
 Class I, Zone 0 or 1, Ex/AEx ia IIC, T1, T6 Ga  
 Class II or III, Division 1 or 2, Groups E, F, G, T1, T6 / B5 °C  
 Class II or III, Zone 20 or 21, Ex/AEx ia IIC, T135 °C Da

**Entity parameters TR21-\*-W\*, TR31-\*-W\*, TR34-W-\***  
 Gas atmosphere

<p>Terminals + and -  <math>U_i = DC 30 V</math>  <math>I_i = 120 mA</math>  <math>P_i = 800 mW</math>  <math>C_i = 29.7 nF</math>  <math>L_i = negligible</math></p>	<p>Terminals + and -  <math>U_i = DC 30 V</math>  <math>I_i = 120 mA</math>  <math>P_i = 750/650/550 mW</math>  <math>C_i = 29.7 nF</math>  <math>L_i = negligible</math></p>
---	---

Maximum self-heating at the tip of the probe or thermowell: 15 K

Maximum self-heating at the tip of the probe or thermowell: 15 K



ENTITY APPROVED / CERTIFIED INTRINSICALLY SAFE

**Notes:**

- The intrinsic safety entity concept allows the interconnection of two intrinsically safe devices with entity parameters not specifically examined in combination as a system when:  
 $V_{max} \text{ or } U_{i2} \leq V_{oc}, V_i \text{ or } U_{oi}, I_{max} \text{ or } I_{i2} \leq I_{sc}, I_f \text{ or } I_{of}, P_{max} \text{ or } P_{i2} \leq P_o, C_a \geq C_i + C_{cable}, V_{rms} \text{ or } V_{dc}$
- Associated apparatus must be accordingly certified.
- Control equipment connected to the associated apparatus must not use or generate more than 250 Vrms or Vdc.
- Installation should be in accordance with the Canadian Electrical Code (CEC) part I for Canada or with ANSI/ISA RP.20.06-01 "Installation of intrinsically safe systems for hazardous (classified) locations" and the National Electrical Code® (ANSI/NFPA70) sections 504, and 505 for USA.
- The configuration of associated apparatus must be under entity concept.
- Associated apparatus manufacturer's installation drawing must be followed when installing this equipment.
- No revision to this drawing without prior approval.

"Warning - refer to accompanying installation, operating & service instructions for safe and proper usage."

French warning text

"AVERTISSEMENT: Pour éviter l'ignition des atmosphères inflammables au combustibles, veuillez lire, comprendre et respecter les procédures d'entretien ci-jointes."  
 "AVERTISSEMENT: Se référer aux instructions concernant l'installation, le fonctionnement et le service pour une utilisation sûre et correcte."

Maximum self-heating at the tip of the probe or thermowell (R<sub>th</sub>) = 335 K/W

"WARNING - To prevent ignition of flammable or combustible atmospheres, read, understand and adhere to the accompanying live maintenance procedures."

Terminals 1 to 4

$U_i = DC 30 V$

$I_i = 250 mA$

$P_i = 750/650/550 mW$

$C_i = negligible$

$L_i = negligible$

Maximum self-heating at the tip of the probe or thermowell (R<sub>th</sub>) = 335 K/W

"WARNING - To prevent ignition of flammable or combustible atmospheres, read, understand and adhere to the accompanying live maintenance procedures."

## Nonincendive field wiring installation

### NON HAZARDOUS LOCATION

HAZARDOUS LOCATION :  
 Class I, Division 2, Groups A, B, C, D  
 Class I, Zone 2, IIC  
 Class II or III, Division 2, Groups E, F, G  
 Class II or III, Zone 22

NIFW parameters TR21\*-W-\*, TR31\*-W-\*, TR34-W-\*

Intrinsic safety barrier not required.  $V_{max}$  or  $U_i \leq DC 30V$

HAZARDOUS BARRIER

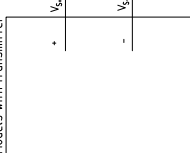
Gas atmosphere

Dust atmosphere

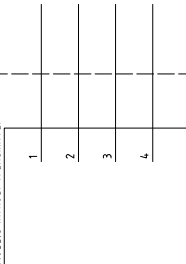
TR\*  
 Non-Incendive field wiring apparatus

CSA or FM approved associated apparatus  
 or associated nonincendive field firing apparatus

Models with transmitter



Models without transmitter



Terminals + and -

$U_i = DC 30 V$

$I_i = 120 mA$

$C_i = 29.7 nF$

$L_i = negligible$

Maximum self-heating at the tip  
 of the probe or thermowell: 15 K

Terminals 1 to 4

$U_i = DC 30 V$

$I_i = 550 mA$

$C_i = negligible$

$L_i = negligible$

Maximum self-heating at the tip  
 of the probe or thermowell  
 (R<sub>th</sub>) = 335 K/W

"WARNING - To prevent ignition of flammable or combustible atmospheres, read, understand  
 and adhere to the accompanying live maintenance procedures."

"Warning - Refer to accompanying installation, operating & service instructions for safe and  
 proper usage."

French warning text

"AVERTISSEMENT: Pour éviter l'ignition des atmosphères inflammables ou combustibles,  
 veuillez lire, comprendre et respecter les procédures d'entretien ci-jointes."

"AVERTISSEMENT: Se référer aux instructions concernant l'installation, le fonctionnement  
 et le service pour une utilisation sûre et correcte."

Notes:

1. Nonincendive field wiring enables interconnection of nonincendive field wiring apparatus with associated  
 nonincendive field wiring apparatus or associated intrinsically safe apparatus not specifically examined  
 in combination as a system under one of the following conditions:

a) Current Controlled

Normal operating current controlled or limited by the nonincendive field wiring apparatus (unlike the  
 requirements for intrinsically safe apparatus  $I_{max}$  or  $I_i$  of the nonincendive field wiring apparatus need  
 not be greater than the  $I_{sc}$ ,  $I_i$  or  $I_o$  of the associated nonincendive field wiring apparatus)

b) Not current controlled

Normal operating voltage or current not controlled or limited by the nonincendive field wiring apparatus  
 $V_{max}$  or  $U_i \geq Voc$ ,  $Vt$  or  $U_o$ ,  $I_{max}$  or  $I_i \geq I_{sc}$ ,  $I_t$  or  $I_o$ ,  $Ca \geq Ci$ ,  $Ccable$ ,  $La \geq Li$ ,  $Lcable$

2. Associated apparatus manufacturer's installation drawing must be followed when installing this  
 equipment.

3. No revision to this drawing without prior approval.



## EU-Konformitätserklärung EU Declaration of Conformity

Dokument Nr.  
Document No.

14115255.05

Wir erklären in alleiniger Verantwortung, dass die mit CE gekennzeichneten Produkte  
We declare under our sole responsibility that the CE marked products

Typenbezeichnung  
Type Designation

TR21-A-\*(1); TR21-B-\*(1), (3); TR21-C-\*(1)

Beschreibung  
Description

Miniatur-Widerstandsthermometer für die sterile  
Verfahrenstechnik, Typ TR21 Ex i  
Miniature resistance thermometer for sanitary applications,  
model TR21 Ex i

gemäß gültigem Datenblatt  
according to the valid data sheet

TE 60.26; TE 60.27; TE 60.28

mit den nachfolgenden relevanten Harmonisierungsvorschriften der Union  
übereinstimmen  
are in conformity with the following relevant Union harmonisation legislation

Angewandte harmonisierte Normen  
Applied harmonised standards

2011/65/EU Gefährliche Stoffe (RoHS)  
Hazardous substances (RoHS) EN IEC 63000:2018

2014/30/EU Elektromagnetische Verträglichkeit (EMV)<sup>(2)</sup>  
Electromagnetic Compatibility (EMC)<sup>(2)</sup> EN 61326-1:2013  
EN 61326-2-3:2013

2014/34/EU Explosionsschutz (ATEX)<sup>(1)</sup>  
Explosion protection (ATEX)<sup>(1)</sup>

II 1G Ex ia IIC T1 - T6 Ga  
II 1/2G Ex ia IIC T1 - T6 Ga/Gb  
II 2G Ex ia IIC T1 - T6 Gb  
II 2G Ex ib IIC T1 - T6 Gb  
II 1/2G Ex ib IIC T1 - T6 Ga/Gb  
II 1D Ex ia IIIC T135 °C Da  
II 1/2D Ex ia IIIC T135 °C Da/Db  
II 2D Ex ia IIIC T135 °C Db  
II 2D Ex ib IIIC T135 °C Db  
II 1/2D Ex ib IIIC T135 °C Da/Db

(1)  
Zertifiziert nach / Certified to:  
EN 60079-0:2012 +A11:2013  
EN 60079-11:2012  
EN 60079-26:2007

Entspricht auch / Also complies with:  
EN IEC 60079-0:2018  
EN 60079-26:2015



- (1) \* = A, B, C, D, E, F, G, H, I, J, K, O, W, 0, 1, 2, 3, 4, 5, 6, 7, 8, 9;  
EG-Baumusterprüfbescheinigung BVS 14 ATEX E 147 X von DEKRA Testing and Certification GmbH (Reg.-Nr. 0158).  
\* = A, B, C, D, E, F, G, H, I, J, K, O, W, 0, 1, 2, 3, 4, 5, 6, 7, 8, 9;  
EC type-examination certificate BVS 14 ATEX E 147 X of DEKRA EXAM Testing and Certification GmbH (Reg. No. 0158).
- (2) Nur mit Ausgangssignal 4 ... 20 mA  
With analogue output signal 4 ... 20 mA only
- (3) Für die angebauten Schutzrohre gelten deren EU-Konformitätserklärungen.  
For the thermowells their respective EU declarations of conformity apply.

Unterszeichnet für und im Namen von / Signed for and on behalf of

**WIKAI Alexander Wiegand SE & Co. KG**  
Klingenberg, 2021-12-08

*A.V. S. Heif*  
Stefan Heidinger, Vice President  
Electrical Temperature Measurement

*R. Stapf*  
Roland Stapf, Head of Quality Management  
Process Instrumentation Corporate Quality

WIKAI Alexander Wiegand SE & Co. KG  
Alexander-Wiegand-Strasse 30  
03911 Klingenberg  
Germany  
WEEE-Reg.-Nr. DE 92770372

Tel. +49 9372 132-0  
Fax +49 9372 132-406  
E-Mail info@wika.de  
www.wika.de

Kommanditgesellschaft: Sitz Klingenberg –  
Amtsgericht Aschaffenburg HRA 1819

Komplementärin:  
WIKAI International SE - Sitz Klingenberg -  
Amtsgericht Aschaffenburg HRB 10506  
Vorstand: Alexander Wiegand  
Vorsitzender des Aufsichtsrats: Prof. Dr. Roderich C. Thümmel

21AR-04115

## Annexe 3 : Matrice EPL

### Matrice EPL

Type	Ex ia, Ex ib, Ex ic							Ex eb, Ex ec, Ex tb, Ex tc, Ex nA			
	EPL										
	Ga	Da	Ga/ Gb	Da/ Db	Gb	Db	Gc	Gb	Db	Gc	Dc
TR21-A	✓	✓	✓	✓	✓	✓	✓	-	-	-	-
TR21-B	✓	✓	✓	✓	✓	✓	✓	-	-	-	-
TR21-C	✓	✓	✓	✓	✓	✓	✓	-	-	-	-

FR



FR

14.170746.05 03/2022 EN/DE/FR/ES



# Contenido

<b>1. Marcaje Ex</b>	<b>58</b>
<b>2. Seguridad</b>	<b>61</b>
<b>3. Puesta en servicio, funcionamiento</b>	<b>63</b>
<b>4. Condiciones especiales para la utilización (X-Conditions)</b>	<b>68</b>
<b>5. Ejemplos de cálculo para el calentamiento propio en la punta de la vaina</b>	<b>69</b>
<b>6. Accesorios</b>	<b>69</b>
<b>Anexo 1: CSA dibujo de control</b>	<b>70</b>
<b>Anexo 2: Declaración de conformidad UE</b>	<b>72</b>
<b>Anexo 3: Matriz EPL</b>	<b>73</b>

**ES**

Declaraciones de conformidad puede encontrar en [www.wika.es](http://www.wika.es).

# 1. Marcaje Ex

## Documentación complementaria:

- ▶ Esta información adicional para zonas potencialmente explosivas se aplica en relación con el manual de instrucciones “Termorresistencia en miniatura para aplicaciones sanitarias, modelo TR21” (número de artículo 14006814).

## 1. Marcaje Ex

ES



### ¡PELIGRO!

#### **Peligro de muerte debido a la pérdida de la protección contra explosiones**

La inobservancia del contenido y de las instrucciones puede originar la pérdida de la protección contra explosiones.

- ▶ Observe las instrucciones de seguridad en este capítulo y otros avisos sobre peligros de explosión en este manual de instrucciones.
- ▶ Tener en cuenta los requisitos de la directiva ATEX.
- ▶ Cumplir con las regulaciones indicadas en el certificado de examen de tipo y los correspondientes reglamentos nacionales para la instalación y uso en zonas potencialmente explosivas (p. ej. IEC 60079-11, IEC 60079-10 y IEC 60079-14).

Compruebe idoneidad de la clasificación para la aplicación. Tenga en consideración las respectivas leyes y reglamentos nacionales.

### ATEX

#### IECEx

- |         |                           |
|---------|---------------------------|
| II 1G   | Ex ia IIC T1 ... T6 Ga    |
| II 1/2G | Ex ia IIC T1 ... T6 Ga/Gb |
| II 2G   | Ex ia IIC T1 ... T6 Gb    |
|         |                           |
| II 1D   | Ex ia IIIC T135 °C Da     |
| II 1/2D | Ex ia IIIC T135 °C Da/Db  |
| II 2D   | Ex ia IIIC T135 °C Db     |

# 1. Marcaje Ex

Para aplicaciones sin transmisor (modelos TR21-x-xP, TR21-x-xR) que requieren instrumentos del grupo II (atmósferas gaseosas potencialmente explosivas), rige la siguiente división en clases de temperatura y rangos de temperatura ambiente:

Tabla 1

Marcado		Clase de temperatura	Rango de temperaturas ambientes ( $T_a$ )	Temperatura superficial máxima ( $T_{max}$ ) en la punta de sensores o vainas
ATEX	IECEX			
II 1G	Ex ia IIC T1 ... T6 Ga	T1 ... T5	-50 ... +85 °C	$T_M$ (temperatura del medio) + calentamiento propio  Para ello deben tenerse en cuenta las condiciones especiales (véase el capítulo 4 "Condiciones especiales para la utilización (X-Conditions)").
II 1/2G	Ex ia IIC T1 ... T6 Ga/Gb			
II 2G	Ex ia IIC T1 ... T6 Gb	T6	-50 ... +80 °C	

Para aplicaciones que requieren instrumentos del grupo II (atmósferas polvorizadas potencialmente explosivas) rigen las siguientes temperaturas superficiales y rangos de temperatura ambiente:

Tabla 2

Marcado		Potencia $P_i$	Rango de temperaturas ambientes ( $T_a$ )	Temperatura superficial máxima ( $T_{max}$ ) en la punta de sensores o vainas
ATEX	IECEX			
II 1D	Ex ia IIIC T135 °C Da	750 mW	-50 ... +40 °C	$T_M$ (temperatura del medio) + calentamiento propio  Para ello deben tenerse en cuenta las condiciones especiales (véase el capítulo 4 "Condiciones especiales para la utilización (X-Conditions)").
II 1/2D	Ex ia IIIC T135 °C Da/Db			
II 2D	Ex ia IIIC T135 °C Db	650 mW	-50 ... +70 °C	
		550 mW	-50 ... +85 °C	

# 1. Marcaje Ex

Para aplicaciones con transmisor (TR21-x-xTT, TR21-x-xTB) que requieren instrumentos del grupo II (atmósferas gaseosas potencialmente explosivas), rige la siguiente división en clases de temperatura y rangos de temperatura ambiente:

Tabla 3

Atmósfera de gases potencialmente explosiva		Clase de temperatura	Rango de temperaturas ambientes ( $T_a$ )	Temperatura superficial máxima ( $T_{max}$ ) en la punta de sensores o vainas
ATEX	IECEX			
II 1G	Ex ia IIC T1 ... T6 Ga	T1 ... T4	-40 ... +85 °C	T <sub>M</sub> (temperatura del medio) + calentamiento propio  Para ello deben tenerse en cuenta las condiciones especiales (véase el capítulo 4 "Condiciones especiales para la utilización (X-Conditions)").
II 1/2G	Ex ia IIC T1 ... T6 Ga/Gb			
II 2G	Ex ia IIC T1 ... T6 Gb	T5	-40 ... +60 °C	
		T6	-40 ... +45 °C	

Para aplicaciones que requieren instrumentos del grupo II (atmósferas polvorientas potencialmente explosivas) rigen las siguientes temperaturas superficiales y rangos de temperatura ambiente:

Tabla 4

Atmósfera de polvo potencialmente explosiva		Potencia $P_i$	Rango de temperaturas ambientes ( $T_a$ )	Temperatura superficial máxima ( $T_{max}$ ) en la punta de sensores o vainas
ATEX	IECEX			
II 1D	Ex ia IIIC T135 °C Da	750 mW	-40 ... +40 °C	T <sub>M</sub> (temperatura del medio) + calentamiento propio  Para ello deben tenerse en cuenta las condiciones especiales (véase el capítulo 4 "Condiciones especiales para la utilización (X-Conditions)").
II 1/2D	Ex ia IIIC T135 °C Da/Db			
II 2D	Ex ia IIIC T135 °C Db	650 mW	-40 ... +70 °C	
		550 mW	-40 ... +85 °C	

¡Para aplicaciones que requieren EPL Gb o Db, pueden utilizarse los instrumentos marcados con "ia" también en los circuitos de medición de tipo "ib" con los mismos parámetros de conexión!

Por lo tanto, todo el circuito de medición (incluyendo el circuito del sensor) es un circuito "ib". Los dispositivos que han sido operados en circuitos de alimentación de tipo "ib" no deben ser re-utilizados en circuitos de alimentación de tipo "ia".

## 2. Seguridad

### 2.1 Explicación de símbolos



#### **¡PELIGRO!**

... señala una situación de peligro potencial en la zona potencialmente explosiva, lo que puede provocar la muerte o lesiones graves si no se evita.

### 2.2 Uso conforme a lo previsto

Las termorresistencias aquí descritas son aptas para la medición de temperatura en zonas potencialmente explosivas.

La inobservancia de la información para su uso en zonas potencialmente explosivas conduce a la pérdida de la protección contra explosiones. Observar los valores límite y las indicaciones técnicas (véase capítulo 3.4 “Potencia eléctrica de conexión”).

No se permite ningún tipo de reparación ni modificación constructiva, ya que estas modificaciones provocan la anulación de la garantía y de las homologaciones.

El cambio de componentes puede afectar a la seguridad intrínseca.

### 2.3 Responsabilidad del usuario

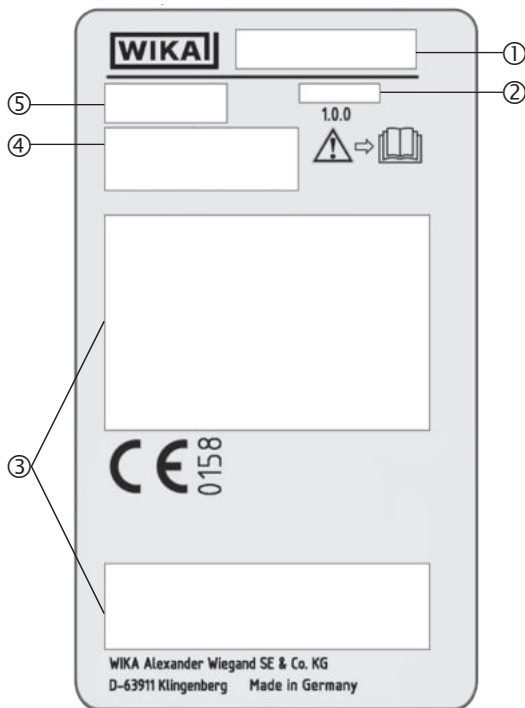
La responsabilidad para la clasificación de zonas le corresponde a la empresa explotadora/operadora de la planta y no al fabricante/proveedor de los equipos eléctricos.

### 2.4 Cualificación del personal

Los electricistas profesionales deben tener conocimientos sobre los tipos de protección contra incendios, los reglamentos y las directivas referente a equipos en zonas potencialmente explosivas.

### 2.5 Rótulos, marcajes de seguridad

#### Placas de características (ejemplo)

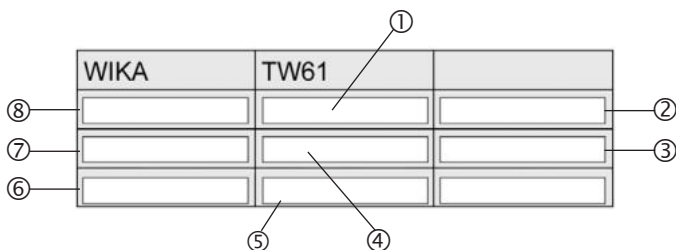


- ① Modelo
- ② Fecha de fabricación (año/mes)
- ③ Datos relevantes de la homologación
- ④ Datos de versión (elemento de medición, señal de salida, rango de medición...)
  - Termómetro con transmisor y señal de salida de 4 ... 20 mA
  - Termómetro con salida de sensor directa, con Pt100 y Pt1000
- ⑤ Número de serie, número TAG



¡Es absolutamente necesario leer el manual de instrucciones antes del montaje y la puesta en servicio del instrumento!

### Identificación de la vaina



- ① Máx. presión nominal
- ② Normativa de la tubería
- ③ Marcado CE
- ④ Clase de higiene
- ⑤ Identificación del inspector con autorización de estampar
- ⑥ Código del material (grupo completo)
- ⑦ Material de la tubería
- ⑧ Diámetro exterior x espesor de la pared (en mm)

## 3. Puesta en servicio, funcionamiento



### ¡PELIGRO!

#### Riesgo de muerte por explosión

Al utilizar la unidad de medida extraíble sin un cabezal apto (caja) existe riesgo de explosión que puede llevar a la muerte.

- ▶ Utilizar la unidad de medida extraíble únicamente en el cabezal previsto para este fin.



### ¡PELIGRO!

#### Riesgo de muerte en caso de falta de puesta a tierra del instrumento

En caso de puesta a tierra inexistente o incorrecta del instrumento existe el riesgo de tensión peligrosa (causada por ej. por daños mecánicos, carga electrostática o inducción).

- ▶ ¡Poner a tierra el termorresistencia!

Observar las condiciones especiales (véase el capítulo 4 “Condiciones especiales para la utilización (X-Conditions)”, punto 2).

## 3. Puesta en servicio, funcionamiento

### 3.1 Montaje dentro de recipientes metálicos

- La caja debe ser puesta a tierra contra campos electromagnéticos y carga electrostática.
- No es necesaria una conexión por separado al sistema equipotencial.
- Es suficiente que la vaina metálica tenga un contacto fijo y seguro con el recipiente metálico o con sus partes estructurales o tuberías, siempre que dichos componentes estén unidos a un sistema equipotencial.

### 3.2 Montaje dentro de recipientes no metálicos

- Conectar a tierra el armadura del cable de un lado y preferentemente en área no explosiva segura (EN 60079-14). En instrumentos con salida de cable, el armadura está unido a la caja. La conexión simultánea de caja y pantalla a tierra está permitida solamente si se puede descartar una desconexión accidental entre pantalla (p.ej. barrera de separación) y caja (véase EN 60079-14).
- Alimentar la termorresistencia desde un circuito de seguridad intrínseca (Ex ia).
- Se deben respetar la capacitancia interna efectiva y la inductancia.
- Dotar los extremos de conductores de filamentos finos con virolas de cable (confección de cables).

### 3.3 Conexión eléctrica

La resistencia a la temperatura del cable de conexión debe corresponder al rango de temperatura de servicio admisible de la caja. Para temperaturas ambiente superiores a 60 °C deben emplearse cables de conexión resistentes al calor (véase el capítulo 6 "Accesorios").

### 3.4 Potencia eléctrica de conexión

- **Termorresistencia con transmisor y señal de salida de 4 ... 20 mA (modelos TR21-B-xTT, TR21-B-xTB)**

Características	Atmósfera de gases potencialmente explosiva	Atmósfera de polvo potencialmente explosiva
Bornes	+ / -	+ / -
Tensión $U_i$	DC 30 V	DC 30 V
Intensidad de corriente $I_i$	120 mA	120 mA
Potencia $P_i$	800 mW	750/650/550 mW
Capacidad interna efectiva $C_i$	29,7 nF	29,7 nF
Inductividad interna efectiva $L_i$	despreciable	despreciable
Máximo calentamiento propio en la punta del sensor o de la vaina	15 K	15 K



### 3. Puesta en servicio, funcionamiento

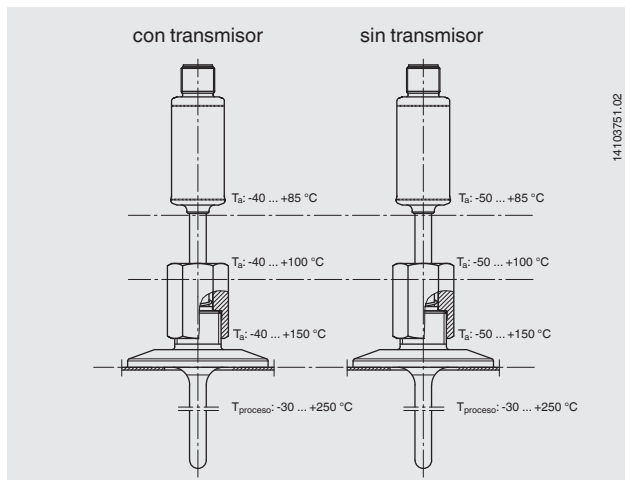
- Termorresistencia con salida directa Pt100 (modelo TR21-B-xPx) y Pt1000 (modelo TR21-B-xRx)

Características	Atmósfera de gases potencialmente explosiva	Atmósfera de polvo potencialmente explosiva
Bornes	1 - 4	1 - 4
Tensión $U_i$	DC 30 V	DC 30 V
Intensidad de corriente $I_i$	550 mA	250 mA
Potencia $P_i$	1.500 mW	750/650/550 mW
Capacidad interna efectiva $C_i$	despreciable	despreciable
Inductividad interna efectiva $L_i$	despreciable	despreciable
Máximo calentamiento propio en la punta del sensor o de la vaina	$(R_{th}) = 335 \text{ K/W}$	$(R_{th}) = 335 \text{ K/W}$

ES

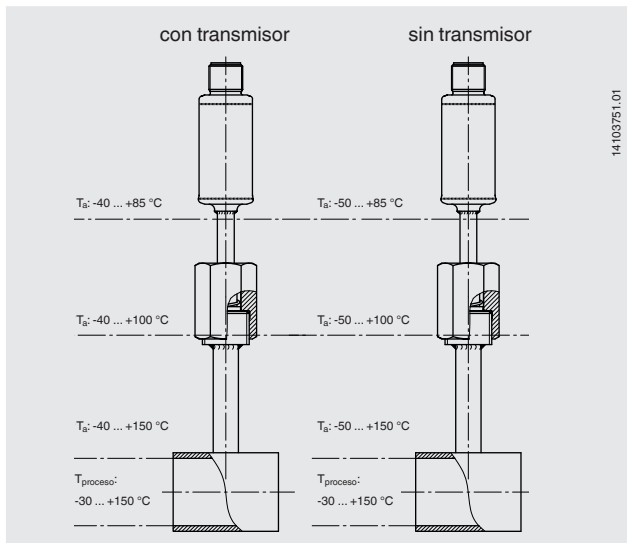
### 3.5 Resumen de las zonas de temperatura

- Modelo TR21-A

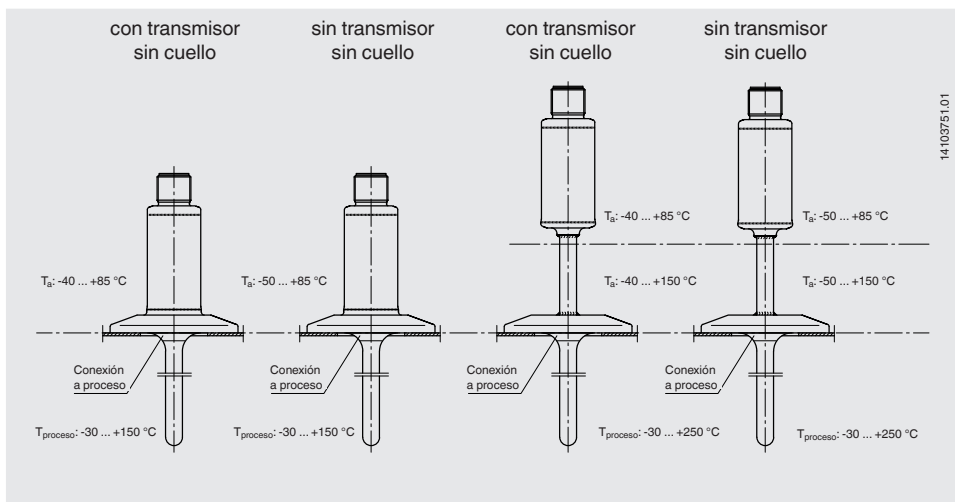


### 3. Puesta en servicio, funcionamiento

#### ■ Modelo TR21-B



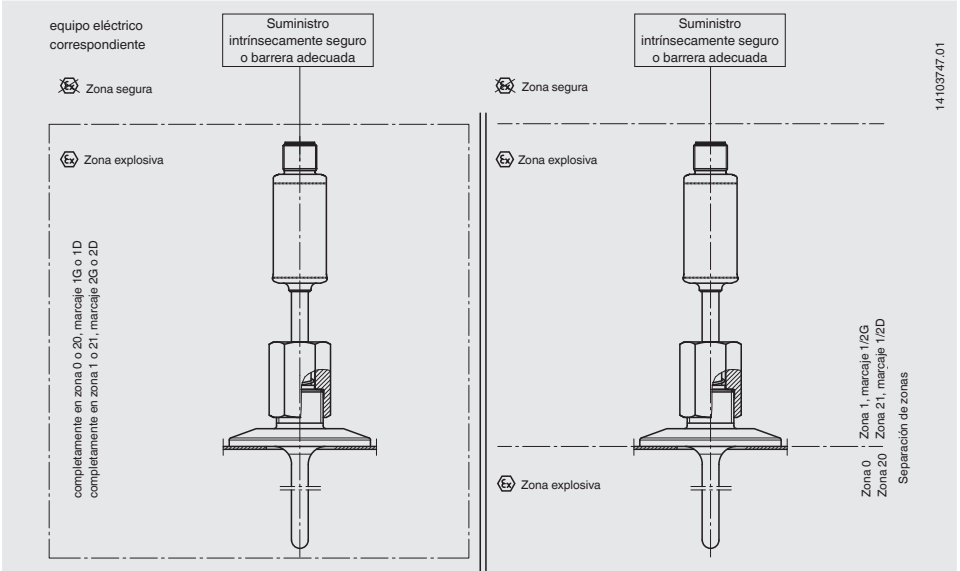
#### ■ Modelo TR21-C



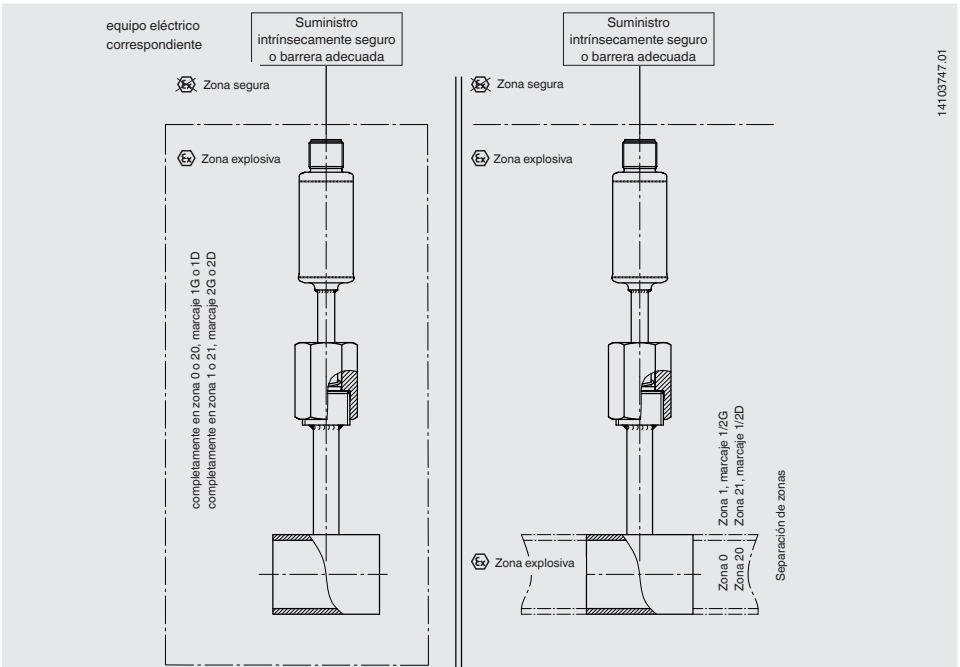
# 3. Puesta en servicio, funcionamiento

## 3.6 Ejemplos de montaje

### ■ Modelo TR21-A

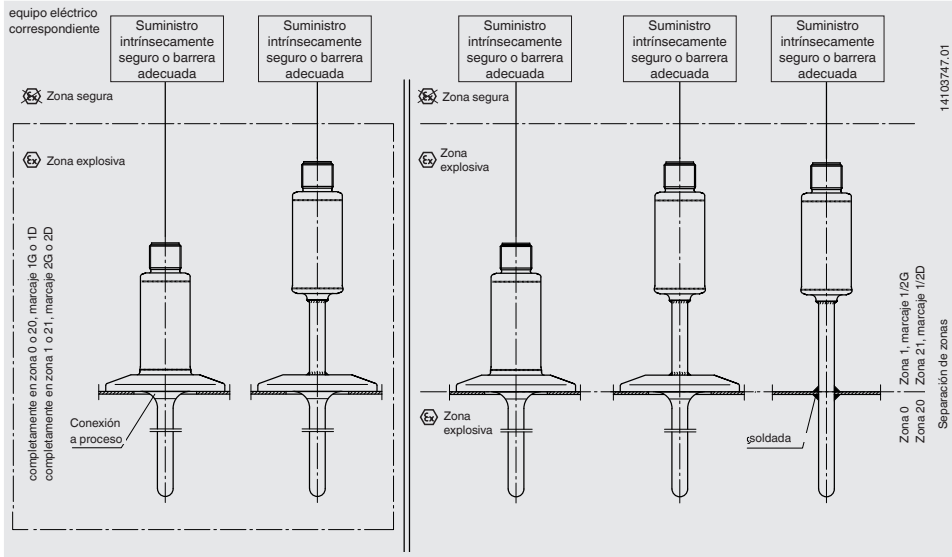


### ■ Modelo TR21-B



14170746.05 03/2022 EN/DE/FR/ES

#### ■ Modelo TR21-C



ES

## 4. Condiciones especiales para la utilización (X-Conditions)

1. No está permitido un flujo térmico proveniente del proceso que supere la temperatura ambiente admisible del transmisor o de la caja. Para evitar este efecto se debe aplicar un aislamiento térmico adecuado o un cuello de suficiente longitud.
2. Si el espesor de pared es superior a 0,2 mm e inferior a 1 mm, los instrumentos no deben someterse a condiciones ambientales que pudieran afectar negativamente la pared divisoria. Alternativamente puede utilizarse una vaina con el correspondiente espesor mínimo de pared.
3. Si se emplea una vaina o un tubo de cuello, el instrumento debe estar construido completamente de tal forma para que permite un modo de incorporación con un resquicio suficientemente hermético (IP67) o un resquicio a prueba de retroceso de las llamas (EN/IEC 60079-1) hacia la zona de menos riesgo.
4. El rango de temperatura ambiente ( $T_a$ ) para variantes con cable de conexión opcional con conector conformado M12 x 1 está limitado a -20 ... +80 °C.
5. El rango de temperatura ambiente ( $T_a$ ) para variantes con adaptador opcional M12 - EN 175301 está limitado a -40 ... +85 °C.

### 5. Ejemplos de cálculo para el calentamiento propio en la punta de la vaina

#### 5.1 Ejemplo de cálculo

Uso en la pared de separación de la zona 0

Se busca la máxima temperatura posible  $T_{\max}$  en la punta de la vaina  $\varnothing$  6 mm con transmisor.

$T_{\max}$  resulta de la suma de la temperatura del medio y del calentamiento propio. El calentamiento propio depende de la potencia suministrada  $P_o$  y de la resistencia térmica  $R_{th}$ , y es igual a 15 K.

#### Ejemplo

Diámetro: 6 mm

Temperatura del medio:  $T_M = 150$  °C

No debe sobrepasarse la clase de temperatura T3 (200 °C)

Calentamiento propio: 15 K

$T_{\max} = T_M + \text{calentamiento propio: } 150$  °C + 15 °C = 165 °C

Como distancia de seguridad para instrumentos de tipos probados (para T6 a T3), de los 200 °C hay que restar 5 °C; por lo tanto la temperatura admisible sería 195 °C. De esa manera, no se sobrepasa la clase de temperatura T3 en este ejemplo.

#### Información adicional

Clase de temperatura para T3 = 200 °C

Distancia de seguridad para instrumentos de tipos probados (para T6 a T3)<sup>1)</sup> = 5 K

Distancia de seguridad para instrumentos de tipos probados (T2 a T1)<sup>1)</sup> = 10 K

1) EN/IEC 60079-0: 2012 párr. 26.5.1

## 6. Accesorios

Accesorios	Código de artículo	
<b>Cable de conexión con conector conformado M12 x 1</b>		
■ Conector hembra recto, 4-pin, tipo de protección IP67 Rango de temperatura -20 ... +80 °C	2 m	14086880
	5 m	14086883
■ Conector hembra acodado, 4-pin, tipo de protección IP67 Rango de temperatura -20 ... +80 °C	2 m	14086889
	5 m	14086891

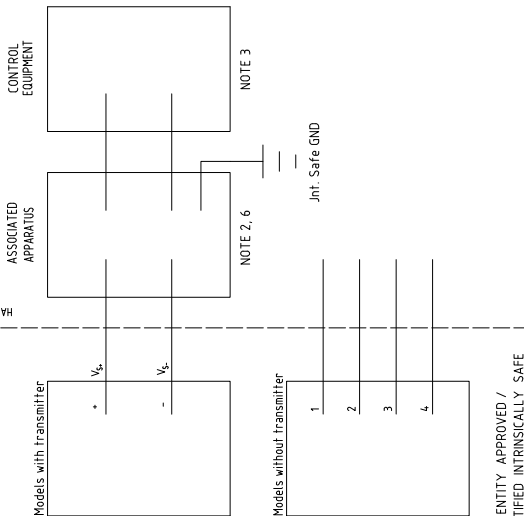
## Intrinsically safe installation

### NON HAZARDOUS LOCATION

#### HAZARDOUS LOCATION :

Class I, Division 1 or 2, Groups A, B, C, D, T1, T6  
Class I, Zone 0 or 1, Ex/AEx ia IIC, T1, T6 Ga  
Class II or III, Division 1 or 2, Groups E, F, G, T1, T6 / B5 °C  
Class II or III, Zone 20 or 21, Ex/AEx ia IIC, T135 °C Da

#### HAZARDOUS BARRIER



#### ENTITY APPROVED / CERTIFIED INTRINSICALLY SAFE

#### Notes:

- The intrinsic safety entity concept allows the interconnection of two intrinsically safe devices with entity parameters not specifically examined in combination as a system when:  
 $V_{max}$  or  $U_{i2} - V_{oc}$ ,  $V_1$  or  $U_{o1}$ ,  $I_{max}$  or  $I_{i2}$  Isc,  $I_1$  or  $I_{o1}$ ,  $P_{max}$  or  $P_{i2}$ ,  $P_{o1}$ ,  $C_a \geq C_1 + C_{cable}$ ,  $L_a \geq L_1 + L_{cable}$ .
- Associated apparatus must be accordingly certified.
- Control equipment connected to the associated apparatus must not use or generate more than 250 Vrms or Vdc.
- Installation should be in accordance with the Canadian Electrical Code (CEC) part I for Canada or with ANSI/ISA RP.20.06-01 "Installation of intrinsically safe systems for hazardous (classified) locations" and the National Electrical Code® (ANSI/NFPA70) sections 504, and 505 for USA.
- The configuration of associated apparatus must be under entity concept.
- Associated apparatus manufacturer's installation drawing must be followed when installing this equipment.
- No revision to this drawing without prior approval.

#### Entity parameters TR21-\*W-\*, TR31-\*W-\*, TR34-W-\*

Gas atmosphere	Dust atmosphere
Terminals + and - $U_j = DC 30 V$ $I_j = 120 mA$ $P_i = 800 mW$ $C_i = 29.7 nF$ $L_i = negligible$	Terminals + and - $U_j = DC 30 V$ $I_j = 120 mA$ $P_i = 750/650/550 mW$ $C_i = 29.7 nF$ $L_i = negligible$
Maximum self-heating at the tip of the probe or thermowell: 15 K	Maximum self-heating at the tip of the probe or thermowell: 15 K
Terminals 1 to 4 $U_j = DC 30 V$ $I_j = 550 mA$ $P_i = 1500 mW$ $C_i = negligible$ $L_i = negligible$	Terminals 1 to 4 $U_j = DC 30 V$ $I_j = 250 mA$ $P_i = 750/650/550 mW$ $C_i = negligible$ $L_i = negligible$
Maximum self-heating at the tip of the probe or thermowell (R <sub>th</sub> ) = 335 K/W	Maximum self-heating at the tip of the probe or thermowell (R <sub>th</sub> ) = 335 K/W

"WARNING - To prevent ignition of flammable or combustible atmospheres, read, understand and adhere to the accompanying live maintenance procedures."

"Warning - refer to accompanying installation, operating & service instructions for safe and proper usage."

#### French warning text

"AVERTISSEMENT: Pour éviter l'ignition des atmosphères inflammables ou combustibles, veuillez lire, comprendre et respecter les procédures d'entretien ci-jointes."  
 "AVERTISSEMENT: Se référer aux instructions concernant l'installation, le fonctionnement et le service pour une utilisation sûre et correcte."

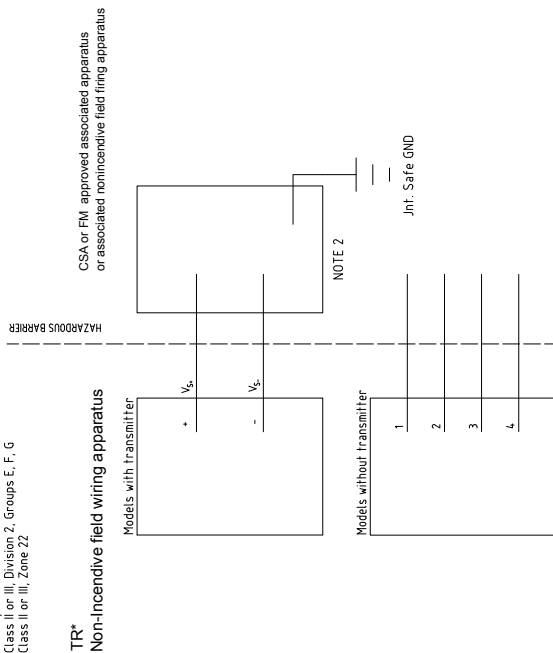
## Nonincendive field wiring installation

### NON HAZARDOUS LOCATION

HAZARDOUS LOCATION :  
Class I, Division 2, Groups A, B, C, D  
Class I, Zone 2, IIC  
Class II or III, Division 2, Groups E, F, G  
Class II or III, Zone 2Z

NIFW parameters TR21\*-W-\*, TR31\*-W-\*, TR34-W-\*

Intrinsic safety barrier not required.  $V_{max}$  or  $U_i \leq DC 30V$



#### Notes:

- Nonincendive field wiring enables interconnection of nonincendive field wiring apparatus with associated nonincendive field wiring apparatus or associated intrinsically safe apparatus not specifically examined in combination as a system under one of the following conditions:
  - Current Controlled
  - Normal operating current controlled or limited by the nonincendive field wiring apparatus (unlike the requirements for intrinsically safe apparatus  $I_{max}$  or  $I_i$  of the nonincendive field wiring apparatus need not be greater than the Isc, If or Io of the associated nonincendive field wiring apparatus)
    - $V_{max}$  or  $U_i \geq Voc$ ,  $Vt$  or  $U_0$ ;  $Ca \geq Ci + Ccable$ ;  $La \geq Li + Lcable$
  - Not current controlled
  - Normal operating voltage or current not controlled or limited by the nonincendive field wiring apparatus
    - $V_{max}$  or  $U_i \geq Voc$ ,  $Vt$  or  $U_0$ ,  $I_{max}$  or  $I_i \geq Isc$ ,  $If$  or  $Io$ ,  $Ca \geq Ci + Ccable$ ;  $La \geq Li + Lcable$
- Associated apparatus manufacturer's installation drawing must be followed when installing this equipment.
- No revision to this drawing without prior approval.

Gas atmosphere

Terminals + and -

$U_i = DC 30 V$

$I_i = 120 mA$

$C_i = 29.7 nF$

$L_i = negligible$

Maximum self-heating at the tip of the probe or thermowell: 15 K

Dust atmosphere

Terminals + and -

$U_i = DC 30 V$

$I_i = 120 mA$

$C_i = 29.7 nF$

$L_i = negligible$

Maximum self-heating at the tip of the probe or thermowell: 15 K

Terminals 1 to 4

$U_i = DC 30 V$

$I_i = 550 mA$

$C_i = negligible$

$L_i = negligible$

Maximum self-heating at the tip of the probe or thermowell (Rth) = 335 K/W

Terminals 1 to 4

$U_i = DC 30 V$

$I_i = 250 mA$

$C_i = negligible$

$L_i = negligible$

Maximum self-heating at the tip of the probe or thermowell (Rth) = 335 K/W

"WARNING - To prevent ignition of flammable or combustible atmospheres, read, understand and adhere to the accompanying live maintenance procedures."

"Warning - Refer to accompanying installation, operating & service instructions for safe and proper usage."

French warning text

"AVERTISSEMENT: Pour éviter l'ignition des atmosphères inflammables ou combustibles, veuillez lire, comprendre et respecter les procédures d'entretien ci-jointes."

"AVERTISSEMENT: Se référer aux instructions concernant l'installation, le fonctionnement et le service pour une utilisation sûre et correcte."



## EU-Konformitätserklärung EU Declaration of Conformity

**Dokument Nr.**  
**Document No.**

14115255.05

Wir erklären in alleiniger Verantwortung, dass die mit CE gekennzeichneten Produkte  
We declare under our sole responsibility that the CE marked products

**Typenbezeichnung**  
**Type Designation**

TR21-A-\*(1); TR21-B-\*(1), (3); TR21-C-\*(1)

**Beschreibung**  
**Description**

Miniatür-Widerstandsthermometer für die sterile  
Verfahrenstechnik, Typ TR21 Ex i  
Miniature resistance thermometer for sanitary applications,  
model TR21 Ex i

gemäß gültigem Datenblatt  
according to the valid data sheet

TE 60.26; TE 60.27; TE 60.28

mit den nachfolgenden relevanten Harmonisierungsvorschriften der Union  
übereinstimmen  
are in conformity with the following relevant Union harmonisation legislation

Angewandte harmonisierte Normen  
Applied harmonised standards

2011/65/EU Gefährliche Stoffe (RoHS) EN IEC 63000:2018

2014/30/EU Elektromagnetische Verträglichkeit (EMV)<sup>(2)</sup> EN 61326-1:2013  
Electromagnetic Compatibility (EMC)<sup>(2)</sup> EN 61326-2-3:2013

2014/34/EU Explosionsschutz (ATEX)<sup>(1)</sup>  
Explosion protection (ATEX)<sup>(1)</sup>

II 1G Ex ia IIC T1 - T6 Ga  
II 1/2G Ex ia IIC T1 - T6 Ga/Gb  
II 2G Ex ia IIC T1 - T6 Gb  
II 2G Ex ib IIC T1 - T6 Gb  
II 1/2G Ex ib IIC T1 - T6 Ga/Gb  
II 1D Ex ia IIIC T135 °C Da  
II 1/2D Ex ia IIIC T135 °C Da/Db  
II 2D Ex ia IIIC T135 °C Db  
II 2D Ex ib IIIC T135 °C Db  
II 1/2D Ex ib IIIC T135 °C Da/Db

(1)  
Zertifiziert nach / Certified to:  
EN 60079-0:2012 +A11:2013  
EN 60079-11:2012  
EN 60079-26:2007

Entspricht auch / Also complies with:  
EN IEC 60079-0:2018  
EN 60079-26:2015



- (1) \* = A, B, C, D, E, F, G, H, I, J, K, O, W, 0, 1, 2, 3, 4, 5, 6, 7, 8, 9;  
EG-Baumusterprüfbescheinigung BVS 14 ATEX E 147 X von DEKRA Testing and Certification GmbH (Reg.-Nr. 0158).  
\* = A, B, C, D, E, F, G, H, I, J, K, O, W, 0, 1, 2, 3, 4, 5, 6, 7, 8, 9;  
EC type-examination certificate BVS 14 ATEX E 147 X of DEKRA EXAM Testing and Certification GmbH (Reg. No. 0158).
- (2) Nur mit Ausgangssignal 4 ... 20 mA  
With analogue output signal 4 ... 20 mA only
- (3) Für die angebauten Schutzrohre gelten deren EU-Konformitätserklärungen.  
For the thermowells their respective EU declarations of conformity apply.

Unterzeichnet für und im Namen von / Signed for and on behalf of

**WIKAI Alexander Wiegand SE & Co. KG**  
Klingenberg, 2021-12-08

*A.V. S. Heif*  
Stefan Heidinger, Vice President  
Electrical Temperature Measurement

*R. Stapf*  
Roland Stapf, Head of Quality Management  
Process Instrumentation Corporate Quality

WIKAI Alexander Wiegand SE & Co. KG  
Alexander-Wiegand-Straße 30  
03911 Klingenberg  
Germany  
WEEE-Reg.-Nr. DE 92770372

Tel. +49 9372 132-0  
Fax +49 9372 132-406  
E-Mail: info@wika.de  
www.wika.de

Kommanditgesellschaft: Sitz Klingenberg –  
Amtsgericht Aschaffenburg HRA 1819

Komplementärin:  
WIKAI International SE - Sitz Klingenberg -  
Amtsgericht Aschaffenburg HRB 10506  
Vorstand: Alexander Wiegand  
Vorsitzender des Aufsichtsrats: Prof. Dr. Roderich C. Thümmel

21AR-04115



## Anexo 3: Matriz EPL

### Matriz EPL

Modelo	Ex ia, Ex ib, Ex ic							Ex eb, Ex ec, Ex tb, Ex tc, Ex nA			
	EPL							Gb	Db	Gc	Dc
	Ga	Da	Ga/ Gb	Da/ Db	Gb	Db	Gc				
TR21-A	✓	✓	✓	✓	✓	✓	✓	-	-	-	-
TR21-B	✓	✓	✓	✓	✓	✓	✓	-	-	-	-
TR21-C	✓	✓	✓	✓	✓	✓	✓	-	-	-	-

ES





