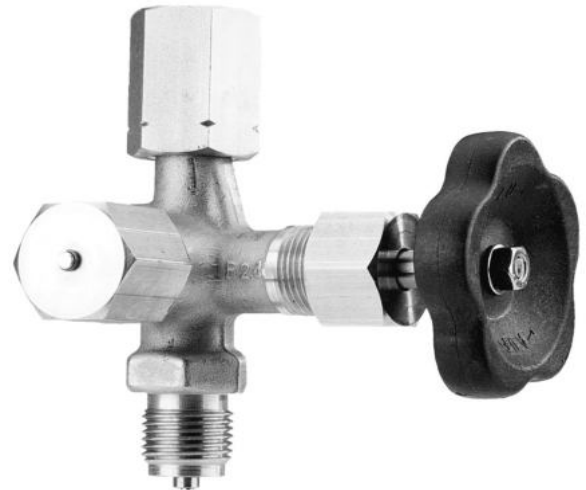


Pressure gauge valves

to DIN 16270 , DIN 16271 , DIN 16272

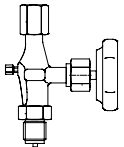
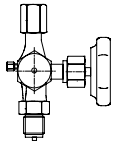
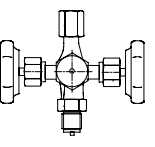


Application

Pressure gauge valves are appropriate to isolate the pressure gauge from the pressure medium in order to enable inspection or replacement of the gauge.

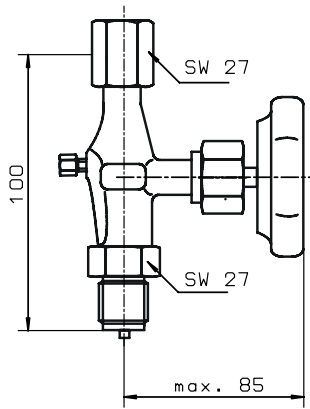
Features

Pressure gauge valves are suitable up to PN 250 to PN 400 bar pressure rating and temperature span from -20°C to 200 °C for liquids, gaseous media and vapours.

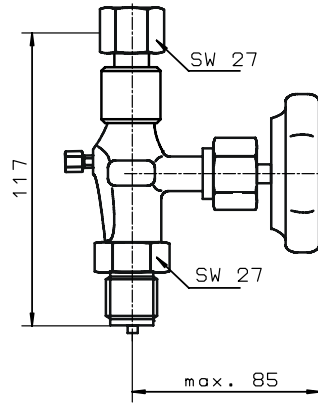
Design	Connection	Material	PN in bar	Temperature range	Form	Article no.
	to DIN 16 270, without test connector Form A with swivelling nut to DIN 16283 Form B union with tall nipple per DIN 16284 and shaft to fit surface mounting bracket					
	G 1/2 or M 20 x 1,5	Brass	250	-10...+120°C	A	ZMV 101
					B	ZMV 111
		Steel	400	-10...+120°C	A	ZMV 102
					B	ZMV 112
		CrNi steel	400	-20...+200°C	A	ZMV 103
					B	ZMV 113
	to DIN 16 271, with test connection M 20 x 1,5 Form A with swivelling nut to DIN 16283 Form B union with tall nipple per DIN 16284 and shaft to fit surface mounting bracket					
	G 1/2 or M 20 x 1,5	Brass	250	-10...+120°C	A	ZMV 201
					B	ZMV 211
		Steel	400	-10...+120°C	A	ZMV 202
					B	ZMV 212
		CrNi steel	400	-20...+200°C	A	ZMV 203
					B	ZMV 213
	to DIN 16 272, with separate shut off test connection M 20 x 1,5 Form A with swivelling nut to DIN 16 283 Form B union with tall nipple per DIN 16284 and shaft to fit surface mounting bracket					
	G 1/2 or M 20 x 1,5	Brass	250	-10...+120°C	A	ZMV 301
					B	ZMV 301
		Steel	400	-10...+120°C	A	ZMV 302
					B	ZMV 312
		CrNi steel	400	-20...+200°C	A	ZMV 303
					B	ZMV 313

to DIN 16270

Form A

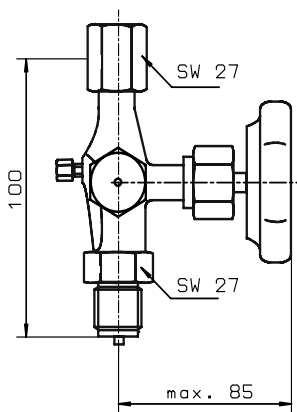


Form B

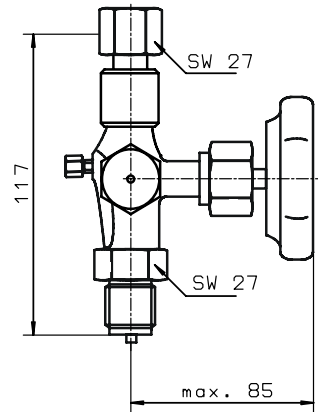


to DIN 16 271

Form A

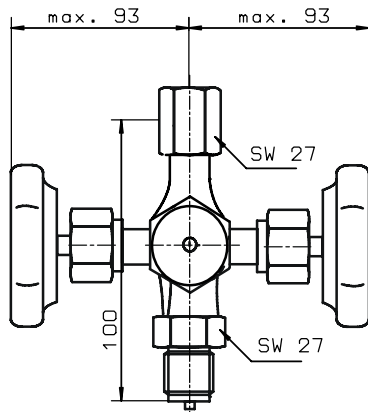


Form B



to DIN 16 272

Form A



Form B

