

Bourdon tube pressure gauge, copper alloy

For welding, cutting and allied processes

Models 111.11, 111.31

WIKA data sheet PM 01.03



for further approvals,
see page 5

Applications

- For equipment and apparatus for gas welding, cutting and allied autogenous processes
- Pressure and level indication for industrial gases such as oxygen or acetylene
- For mounting to pressure reducers or valves

Special features

- Version per ISO 5171 or for acetylene per ISO 7291
- Safety features
Model 111.11: With blow-out device in case back
Model 111.31: With solid baffle wall (Solidfront)
- Nominal size (NS) of the case
Model 111.11: NS 40, 50 and 63
Model 111.31: NS 50
- Scale ranges to 0 ... 400 bar or 0 ... 6,000 psi

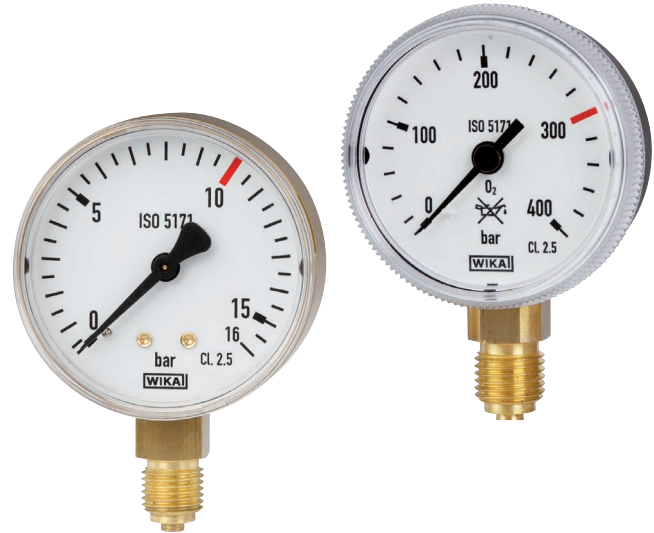


Fig. left: Model 111.11

Fig. right: Model 111.31

Description

The model 111.11 and 111.31 pressure gauges have been specifically designed for gas welding equipment and meet all requirements of the ISO 5171 standard.

The instruments are based on the proven Bourdon tube measuring system. On pressurisation, the deformation of the Bourdon tube, proportional to the incident pressure, is transmitted to the movement via a link and indicated.

The modular design of the pressure gauge enables a multitude of combinations of case materials, process connections, nominal sizes and scale ranges.

Due to this high variance, the instruments are suitable for many applications within the welding engineering sector. An individualisation of the instruments by means of dial printings, such as company logos, is possible.

The safety version of the model 111.31 pressure gauges has a solid baffle wall and also fulfils increased safety requirements regarding personal protection.

Specifications

Basic information		
Standard	<ul style="list-style-type: none"> ■ ISO 5171, pressure gauges used in welding, cutting and allied processes ■ ISO 7291, acetylene version for pressure regulators for manifold systems, BAM tested ¹⁾ ■ EN 837-1 ■ ASME B40.100 <p>For information on the "Selection, installation, handling and operation of pressure gauges", see technical information IN 00.05.</p>	
Nominal size (NS)		
Model 111.11	<ul style="list-style-type: none"> ■ Ø 40 mm [1 ½"] ■ Ø 50 mm [2"] ■ Ø 63 mm [2 ½"] 	
Model 111.31	Ø 50 mm [2"]	
Connection location	<ul style="list-style-type: none"> ■ Lower mount (radial) ■ Centre back mount ²⁾ 	
Window	Polycarbonate	
Case		
Model 111.11	Design	Safety level "S1" per EN 837-1: With blow-out device
	Material	<ul style="list-style-type: none"> ■ Steel, brass-coloured ■ Steel, black painted ■ Steel, chrome-plated ■ Stainless steel
Model 111.31	Design	Safety level "S3" per EN 837-1: With solid baffle wall and blow-out back
	Material	<ul style="list-style-type: none"> ■ Zinc die-cast ■ Painted to customer requirements
Mounting	<ul style="list-style-type: none"> ■ Without ■ Panel mounting flange ■ Surface mounting flange 	
Movement	Copper alloy	

1) Only available for acetylene as a medium and model 111.11

2) Only available for model 111.11

Measuring element	
Type of measuring element	Bourdon tube, C-type or helical type
Material	Copper alloy
Leak tightness	Leakage rate: $< 5 \cdot 10^{-3}$ mbar l/s

Accuracy specifications	
Accuracy class	
ISO 5171	Class 2.5
ASME B40.100	$\pm 3\%$ $\pm 2\%$ $\pm 3\%$ of measuring span (grade B)
Temperature error	On deviation from the reference conditions at the measuring system: $\leq \pm 0.4\%$ per 10 °C [$\leq \pm 0.4\%$ per 18 °F] of full scale value
Reference conditions	
Ambient temperature	+20 °C [68 °F]

Scale ranges

bar	
0 ... 0.6	0 ... 25
0 ... 1	0 ... 30
0 ... 1.6	0 ... 40
0 ... 2	0 ... 60
0 ... 2.5	0 ... 70
0 ... 4	0 ... 100
0 ... 6	0 ... 140
0 ... 7	0 ... 160
0 ... 10	0 ... 200
0 ... 12	0 ... 250
0 ... 14	0 ... 315
0 ... 16	0 ... 400
0 ... 20	

kPa	
0 ... 60	0 ... 2,500
0 ... 70	0 ... 3,000
0 ... 100	0 ... 4,000
0 ... 160	0 ... 6,000
0 ... 200	0 ... 7,000
0 ... 250	0 ... 8,000
0 ... 400	0 ... 10,000
0 ... 600	0 ... 14,000
0 ... 700	0 ... 16,000
0 ... 800	0 ... 20,000
0 ... 1,000	0 ... 25,000
0 ... 1,400	0 ... 31,500
0 ... 1,600	0 ... 40,000

psi	
0 ... 10	0 ... 600
0 ... 15	0 ... 800
0 ... 30	0 ... 1,000
0 ... 60	0 ... 1,500
0 ... 100	0 ... 2,000
0 ... 150	0 ... 3,000
0 ... 160	0 ... 4,000
0 ... 200	0 ... 5,000
0 ... 300	0 ... 6,000
0 ... 400	

kg/cm ²	
0 ... 0.6	0 ... 25
0 ... 1	0 ... 30
0 ... 1.6	0 ... 40
0 ... 2	0 ... 60
0 ... 2.5	0 ... 70
0 ... 4	0 ... 100
0 ... 6	0 ... 140
0 ... 7	0 ... 160
0 ... 10	0 ... 200
0 ... 14	0 ... 250
0 ... 16	0 ... 315
0 ... 20	0 ... 400

MPa	
0 ... 0.06	0 ... 2.5
0 ... 0.1	0 ... 3
0 ... 0.16	0 ... 4
0 ... 0.2	0 ... 6
0 ... 0.25	0 ... 7
0 ... 0.4	0 ... 10
0 ... 0.6	0 ... 14
0 ... 0.7	0 ... 16
0 ... 1	0 ... 20
0 ... 1.4	0 ... 25
0 ... 1.6	0 ... 31.5
0 ... 2	0 ... 40



Further details on: Scale ranges	
Unit	<ul style="list-style-type: none"> ■ bar ■ psi ■ kg/cm² ■ kgf/cm² ■ kPa ■ MPa
Dial	
Scale colour	Black
Material	<ul style="list-style-type: none"> ■ Plastic ■ Aluminium
Pointer	
Instrument pointer	Plastic, black Aluminium, black
Mark pointer/drag pointer	<ul style="list-style-type: none"> ■ Without ■ Red mark pointer on dial, fixed ■ Red mark pointer on window, adjustable
Pointer stop pin	At zero point

Process connection	
Standard	<ul style="list-style-type: none"> ■ EN 837-1 ■ ISO 7 ■ ANSI/B1.20.1
Size	
EN 837-1	<ul style="list-style-type: none"> ■ G ½ B, male thread ■ G ¼ B, male thread ■ M10 x 1, male thread ■ M12 x 1.5, male thread
ANSI/B1.20.1	<ul style="list-style-type: none"> ■ ½ NPT, male thread ■ ¼ NPT, male thread
ISO 7	<ul style="list-style-type: none"> ■ R ½, male thread ■ R ¼, male thread
Restrictor	<ul style="list-style-type: none"> ■ Ø 0.3 mm [0.012"], copper alloy ■ For acetylene version
Material (wetted)	
Process connection	Copper alloy
Bourdon tube	Copper alloy


Other process connections on request

Operating conditions	
Medium temperature	-20 ... +60 °C [-4 ... +140 °F]
Ambient temperature	-20 ... +60 °C [-4 ... +140 °F]
Pressure limitation	
Steady	3/4 x full scale value
Fluctuating	2/3 x full scale value
Short time	Full scale value
Ingress protection per IEC/EN 60529	
Lower mount (radial)	IP33
Centre back mount	IP44

Approvals

Logo	Description	Region
	EU declaration of conformity Pressure equipment directive PS > 200 bar, module A, pressure accessory	European Union
	UKCA Pressure equipment (safety) regulations	United Kingdom
-	CRN Safety (e.g. electr. safety, overpressure, ...)	Canada

Optional approvals

Logo	Description	Region
	PAC Kazakhstan Metrology, measurement technology	Kazakhstan
-	MChS Permission for commissioning	Kazakhstan
-	PAC Ukraine Metrology, measurement technology	Ukraine
-	PAC China Metrology, measurement technology	China

Manufacturer's information and certificates

Logo	Description
-	Pressure equipment directive (PED) for maximum allowable pressure PS ≤ 200 bar

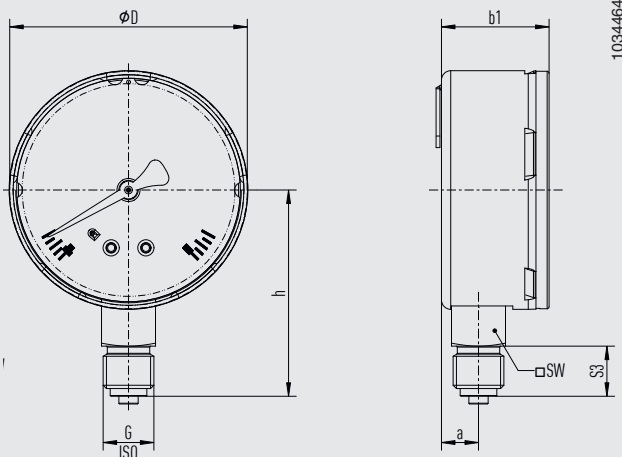
Certificates (option)

Certificates	
Certificates	<ul style="list-style-type: none"> ■ 2.2 test report per EN 10204 (e.g. state-of-the-art manufacturing, indication accuracy) ■ 3.1 inspection certificate per EN 10204 (e.g. material proof for wetted metal parts, indication accuracy)
Recommended calibration interval	1 year (dependent on conditions of use)

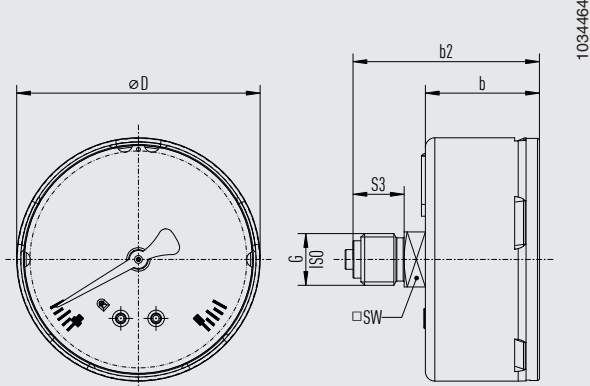
→ For approvals and certificates, see website

Dimensions in mm [in]

Model 111.11, lower mount (radial)



Model 111.11, centre back mount



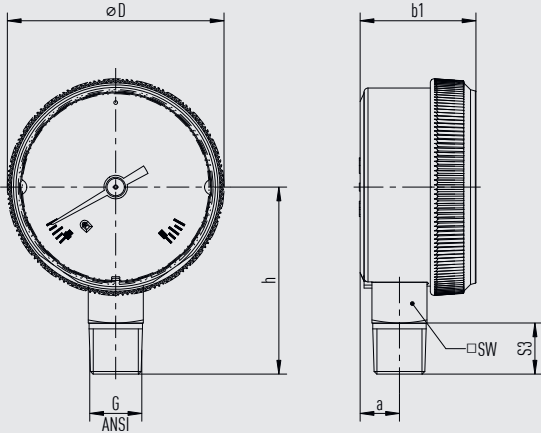
NS	G ¹⁾	Dimensions in mm [in]							
		h ±1 [0.04]	S3	a	b ±0.5 [0.02]	b1 ±0.5 [0.02]	b2 ±1 [0.04]	D	SW
40 [1 ½"]	G ½ B, ½ NPT, R ½	39 [1.54]	10 [0.39]	9.6 [0.38]	25.8 [1.02]	25.8 [1.02]	41.4 [1.63]	39 [1.54]	14 [0.55]
	G ¼ B, ¼ NPT, R ¼	42 [1.65]	13 [0.51]	9.6 [0.38]	25.8 [1.02]	25.8 [1.02]	44.4 [1.759]	39 [1.54]	14 [0.55]
50 [2"]	G ½ B, ½ NPT, R ½	42 [1.65]	10 [0.39]	9.6 [0.38]	27.5 [1.08]	27.9 [1.1]	42.9 [1.69]	49 [1.93]	14 [0.55]
	G ¼ B, ¼ NPT, R ¼	45 [1.77]	13 [0.51]	9.6 [0.38]	27.5 [1.08]	27.9 [1.1]	45.9 [1.81]	49 [1.93]	14 [0.55]
63 [2 ½"]	G ½ B, ½ NPT, R ½	50.5 [1.99]	10 [0.39]	9.6 [0.38]	29 [1.14]	27.9 [1.1]	44.4 [1.75]	61.9 [2.44]	14 [0.55]
	G ¼ B, ¼ NPT, R ¼	53.5 [2.11]	13 [0.51]	9.6 [0.38]	29 [1.14]	27.9 [1.1]	47.4 [1.87]	61.9 [2.44]	14 [0.55]

1) The G ½ B process connection of this instrument is manufactured without a centring spigot and with a thread runout instead of a thread undercut.

NS	Weight in g [oz]
40 [1 ½"]	64 [2.3]
50 [2"]	89 [3.1]
63 [2 ½"]	148 [5.2]

Model 111.31, lower mount (radial)

11596784.02



NS	G ¹⁾	Dimensions in mm [in]					
		h ±1 [0.04]	S3	a	b1 ±0.5 [0.02]	D	SW
50 [2"]	G ½ B, ½ NPT, R ½, M10 x 1	44.6 [1.75]	10 [0.39]	10 [0.39]	29.5 [1.16]	55.1 [2.17]	14 [0.55]
	G ¼ B, ¼ NPT, R ¼, M12 x 1.5	47.6 [1.87]	13 [0.51]	10 [0.39]	29.5 [1.16]	55.1 [2.17]	14 [0.55]

1) The G ½ B process connection of this instrument is manufactured without a centring spigot and with a thread runout instead of a thread undercut.

NS	Weight in g [oz]
50 [2"]	131 [4.6]

Ordering information

Model / Nominal size / Scale range / Process connection / Options

© 10/2010 WIKA Alexander Wiegand SE & Co. KG, all rights reserved.
The specifications given in this document represent the state of engineering at the time of publishing.
We reserve the right to make modifications to the specifications and materials.