

Bourdon tube pressure gauge, copper alloy Stainless steel case, case filling Model 113.53, NS 40 [1 ½"], 80 [3"] and 100 [4"]

WIKA data sheet PM 01.08



for further approvals,
see page 6

Applications

- For measuring locations with high dynamic pressure loads and vibrations
- For gaseous and liquid media that are not highly viscous or crystallising and will not attack copper alloy parts
- Hydraulics
- Compressors

Special features

- Very good vibration and shock resistance
- Robust design
- Scale ranges to 0 ... 400 bar or 0 ... 6,000 psi



**Bourdon tube pressure gauge, model 113.53.100,
lower mount**

Description

The liquid-filled model 113.53 mechanical Bourdon tube pressure gauge is constructed with a case from stainless steel and wetted parts from copper alloy.

WIKA manufactures and qualifies the pressure gauge in accordance with the standards EN 837-1 and ASME B40.100. As a safety function, this instrument has a blow-out device. In the event of a failure, overpressure can escape there.

Due to the case filling, the pressure element and movement are efficiently damped. Therefore, these instruments are particularly suited to measuring locations with high dynamic loads, such as fast load cycles or vibrations.

The cases of the model 113.53 are available in nominal sizes of 40 [1 ½"], 80 [3"] and 100 [4"] and fulfil IP65 ingress protection. With an accuracy of class 2.5, this pressure gauge is suitable for a wide range of applications in industry.

For mounting in control panels, the pressure gauges with a back mount process connection can be fitted with a mounting flange or with a triangular profile ring and mounting bracket.

Specifications

Basic information		
Standard	<ul style="list-style-type: none"> ■ EN 837-1 ■ ASME B40.100 <p>For information on the "Selection, installation, handling and operation of pressure gauges", see technical information IN 00.05.</p>	
Further version		
Nominal size (NS)	<ul style="list-style-type: none"> ■ Ø 40 mm [1 ½"] ■ Ø 80 mm [3"] ■ Ø 100 mm [4"] 	
Connection location	<ul style="list-style-type: none"> ■ Lower mount (radial) ■ Centre back mount 	
Window	Plastic, crystal-clear	
Case		
Design	NS 40 [1 ½"]	Safety level "S2" per EN 837-1: With blow-out device at case circumference, 12 o'clock
	NS 80 [3"], 100 [4"]	Safety level "S1" per EN 837-1: With blow-out device
	With scale ranges ≤ 0 ... 16 bar [≤ 0 ... 200 psi], the filling plug can be vented and resealed for internal pressure compensation Sealing towards process connection with O-ring	
Material	Stainless steel, natural finish	
Ring	Crimp ring, stainless steel	
Mounting	<ul style="list-style-type: none"> ■ Without ■ Panel mounting flange, stainless steel ¹⁾ ■ Triangular profile ring with mounting bracket, stainless steel ■ Surface mounting flange, stainless steel ¹⁾ 	
Case filling	<ul style="list-style-type: none"> ■ Glycerine ■ Glycerine-water mixture for scale range ≤ 0 ... 2.5 bar [≤ 0 ... 40 psi] ■ Silicone oil 	
Movement	Copper alloy	

1) Not available for NS 40 [1 ½"]

Measuring element	
Type of measuring element	Bourdon tube, C-type or helical type
Material	Copper alloy
Leak tightness	Leakage rate: < 5 · 10 ⁻³ mbar l/s

Accuracy specifications		
Accuracy class		
NS 40 [1 ½"]	EN 837-1	Class 2.5
	ASME B40.100	±3 % ±2 % ±3 % of measuring span (grade B)
NS 80 [3"], 100 [4"]	EN 837-1	<ul style="list-style-type: none"> ■ Class 2.5 ■ Class 1.6
	ASME B40.100	<ul style="list-style-type: none"> ■ ±3 % ±2 % ±3 % of measuring span (grade B) ■ ±2 % ±1 % ±2 % of measuring span (grade A)
Temperature error	On deviation from the reference conditions at the measuring system: ≤ ±0.4 % per 10 °C [≤ ±0.4 % per 18 °F] of full scale value	
Reference conditions		
Ambient temperature	+20 °C [68 °F]	

Scale ranges

bar	
0 ... 1	0 ... 40
0 ... 1.6	0 ... 60
0 ... 2.5	0 ... 100
0 ... 4	0 ... 160
0 ... 6	0 ... 200
0 ... 10	0 ... 250
0 ... 16	0 ... 315
0 ... 25	0 ... 400

kPa	
0 ... 100	0 ... 6,000
0 ... 200	0 ... 8,000
0 ... 250	0 ... 10,000
0 ... 400	0 ... 16,000
0 ... 600	0 ... 20,000
0 ... 1,000	0 ... 25,000
0 ... 1,600	0 ... 31,500
0 ... 2,500	0 ... 40,000
0 ... 4,000	

psi	
0 ... 15	0 ... 600
0 ... 30	0 ... 800
0 ... 60	0 ... 1,000
0 ... 100	0 ... 1,500
0 ... 150	0 ... 2,000
0 ... 160	0 ... 3,000
0 ... 200	0 ... 4,000
0 ... 300	0 ... 5,000
0 ... 400	0 ... 6,000
0 ... 500	

kg/cm ²	
0 ... 1	0 ... 40
0 ... 1.6	0 ... 60
0 ... 2.5	0 ... 100
0 ... 4	0 ... 160
0 ... 6	0 ... 200
0 ... 10	0 ... 250
0 ... 16	0 ... 315
0 ... 25	0 ... 400

MPa	
0 ... 0.1	0 ... 4
0 ... 0.16	0 ... 6
0 ... 0.25	0 ... 10
0 ... 0.4	0 ... 16
0 ... 0.6	0 ... 20
0 ... 1	0 ... 25
0 ... 1.6	0 ... 31.5
0 ... 2.5	0 ... 40

Vacuum and +/- scale ranges

bar	
-1 ... 0	-1 ... +9
-1 ... +0.6	-1 ... +15
-1 ... +1.5	-1 ... +24
-1 ... +3	-1 ... +30
-1 ... +5	-1 ... +40

kg/cm ²	
-1 ... 0	-1 ... +5
-1 ... +0.6	-1 ... +9
-1 ... +1	-1 ... +15
-1 ... +1.5	-1 ... +24
-1 ... +3	-1 ... +30

kPa	
-100 ... 0	-100 ... +500
-100 ... +60	-100 ... +900
-100 ... +100	-100 ... +1,500
-100 ... +150	-100 ... +2,400
-100 ... +300	-100 ... +3,000

MPa	
-0.06 ... 0	-0.1 ... +0.5
-0.1 ... 0	-0.1 ... +0.9
-0.1 ... +0.06	-0.1 ... +1.5
-0.1 ... +0.15	-0.1 ... +2.4
-0.1 ... +0.3	

psi	
-30 inHg ... 0	-30 inHg ... +15

Further details on: Scale ranges

Special scale ranges	Other scale ranges on request
Unit	<ul style="list-style-type: none"> ■ bar ■ psi ■ kg/cm² ■ kPa ■ MPa
Increased overload safety	<ul style="list-style-type: none"> ■ Without ■ 2 times <p>The possibility of selection depends on scale range and nominal size</p>
Vacuum resistance	<ul style="list-style-type: none"> ■ Without ■ Vacuum-resistant to -1 bar
Dial	
Scale colour	Black
Material	Aluminium
Special scale	Other scales or customer-specific dials, e.g. with red mark, circular arcs or circular sectors, on request
Pointer	
Instrument pointer	Aluminium, black
Pointer stop pin	<ul style="list-style-type: none"> ■ Without ■ At zero point

Process connection	
Standard	<ul style="list-style-type: none"> ■ EN 837-1 ■ ISO 7 ■ ANSI/B1.20.1
Size	
EN 837-1	<ul style="list-style-type: none"> ■ G 1/8 B, male thread ■ G 1/4 B, male thread ■ G 1/2 B, male thread ■ M10 x 1, male thread ■ M12 x 1.5, male thread ■ M20 x 1.5, male thread
ISO 7	<ul style="list-style-type: none"> ■ R 1/8, male thread ■ R 1/4, male thread ■ R 1/2, male thread
ANSI/B1.20.1	<ul style="list-style-type: none"> ■ 1/8 NPT, male thread ■ 1/4 NPT, male thread ■ 1/2 NPT, male thread
Restrictor	<ul style="list-style-type: none"> ■ Without ■ Ø 0.5 mm [0.02"], copper alloy ■ Ø 0.3 mm [0.012"], copper alloy
Material (wetted)	
Process connection	Copper alloy
Bourdon tube	Copper alloy

Other process connections on request

Operating conditions	
Medium temperature	
Instruments with glycerine filling	-20 ... +100 °C [-4 ... +212 °F]
Instruments with silicone oil filling	-40 ... +100 °C [-40 ... +212 °F]
Ambient temperature	
Instruments with glycerine filling	-20 ... +60 °C [-4 ... +140 °F]
Instruments with silicone oil filling	-40 ... +60 °C [-40 ... +140 °F]
Pressure limitation	
Steady	3/4 x full scale value
Fluctuating	2/3 x full scale value
Short time	Full scale value
Ingress protection per IEC/EN 60529	IP65

Approvals

Logo	Description	Region
CE	EU declaration of conformity	European Union
	Pressure equipment directive PS > 200 bar, module A, pressure accessory	
UK CA	UKCA	United Kingdom
	Pressure equipment (safety) regulations	
-	CRN Safety (e.g. electr. safety, overpressure, ...)	Canada

Optional approvals

Logo	Description	Region
B	PAC Kazakhstan Metrology, measurement technology	Kazakhstan
-	PAC Ukraine Metrology, measurement technology	Ukraine
-	PAC China Metrology, measurement technology	China

Manufacturer's information and certificates

Logo	Description
-	Pressure equipment directive (PED) for maximum allowable pressure PS ≤ 200 bar
-	Suitability of wetted materials for drinking water in accordance with the European 4MS initiative

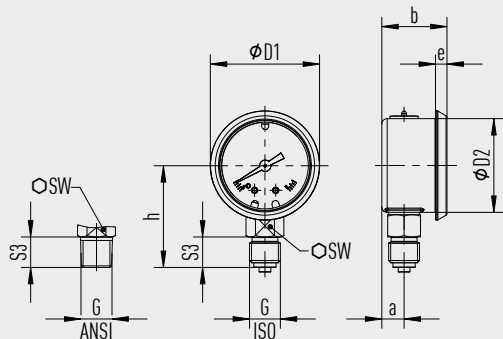
Certificates (option)

Certificates	
Certificates	<ul style="list-style-type: none"> ■ 2.2 test report per EN 10204 (e.g. state-of-the-art manufacturing, indication accuracy) ■ 3.1 inspection certificate per EN 10204 (e.g. material proof for wetted metal parts, indication accuracy) ■ PCA calibration certificate, traceable and accredited in accordance with ISO/IEC 17025 ■ Calibration certificate by a national accreditation body, traceable and accredited in accordance with ISO/IEC 17025 on request
Recommended calibration interval	1 year (dependent on conditions of use)

→ For approvals and certificates, see website

Dimensions in mm [in]

NS 40 [1 1/2"], lower mount (radial)



31062245.02

NS	Weight
NS 40 [1 1/2"]	0.1 kg [0.22 lb]

Process connection with thread per EN 837-1

NS	G	Dimensions in mm [in]							
		h ±1 [0.04]	S3	a	b ±0.5 [0.02]	e	D1	D2	SW
40 [1 1/2"]	G 1/8 B	40.5 [1.59]	10 [0.39]	9.5 [0.37]	28 [1.1]	5 [0.2]	47 [1.85]	40 [1.57]	14 [0.55]
	G 1/4 B	43.5 [1.71]	13 [0.51]	9.5 [0.37]	28 [1.1]	5 [0.2]	47 [1.85]	40 [1.57]	14 [0.55]
	M10 x 1	41.5 [1.63]	11 [0.43]	9.5 [0.37]	28 [1.1]	5 [0.2]	47 [1.85]	40 [1.57]	14 [0.55]

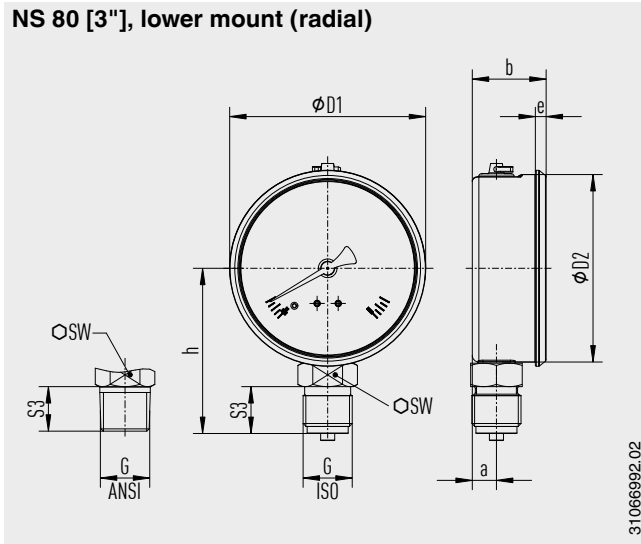
Process connection with thread per ISO 7

NS	G	Dimensions in mm [in]							
		h ±1 [0.04]	S3	a	b ±0.5 [0.02]	e	D1	D2	SW
40 [1 1/2"]	R 1/8	40.5 [1.59]	10 [0.39]	9.5 [0.37]	28 [1.1]	5 [0.2]	47 [1.85]	40 [1.57]	14 [0.55]
	R 1/4	43.5 [1.71]	13 [0.51]	9.5 [0.37]	28 [1.1]	5 [0.2]	47 [1.85]	40 [1.57]	14 [0.55]

Process connection with thread per ANSI/B1.20.1

NS	G	Dimensions in mm [in]							
		h ±1 [0.04]	S3	a	b ±0.5 [0.02]	e	D1	D2	SW
40 [1 1/2"]	1/8 NPT	40.5 [1.59]	10 [0.39]	9.5 [0.37]	28 [1.1]	5 [0.2]	47 [1.85]	40 [1.57]	14 [0.55]
	1/4 NPT	43.5 [1.71]	13 [0.51]	9.5 [0.37]	28 [1.1]	5 [0.2]	47 [1.85]	40 [1.57]	14 [0.55]

NS 80 [3"], lower mount (radial)



NS	Weight
NS 80 [3"]	0.3 kg [0.66 lb]

Process connection with thread per EN 837-1

NS	G	Dimensions in mm [in]							
		$h \pm 1 [0.04]$	S3	a	$b \pm 0.5 [0.02]$	e	D1	D2	SW
80 [3"]	G ¼ B	67.5 [2.66]	17 [0.67]	10.5 [0.41]	31.5 [1.24]	4.5 [0.18]	83.5 [3.29]	80 [3.15]	22 [0.87]
	G ½ B	70.5 [2.78]	20 [0.79]	10.5 [0.41]	31.5 [1.24]	4.5 [0.18]	83.5 [3.29]	80 [3.15]	22 [0.87]
	M20 x 1.5	70.5 [2.78]	20 [0.79]	10.5 [0.41]	31.5 [1.24]	4.5 [0.18]	83.5 [3.29]	80 [3.15]	22 [0.87]

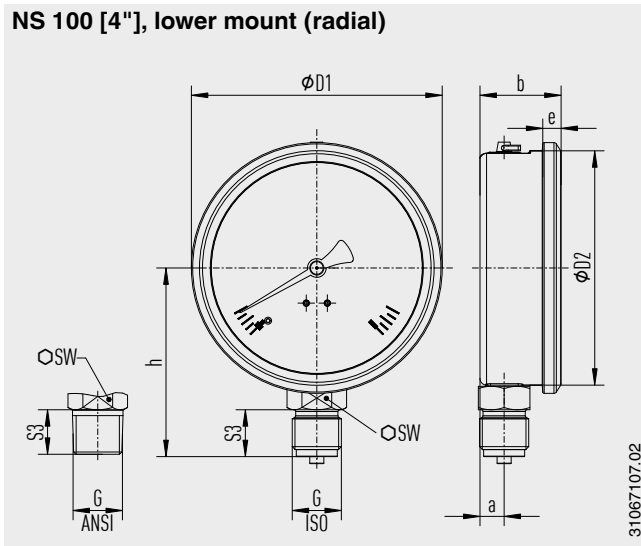
Process connection with thread per ISO 7

NS	G	Dimensions in mm [in]							
		$h \pm 1 [0.04]$	S3	a	$b \pm 0.5 [0.02]$	e	D1	D2	SW
80 [3"]	R ¼	67.5 [2.66]	17 [0.67]	10.5 [0.41]	31.5 [1.24]	4.5 [0.18]	83.5 [3.29]	80 [3.15]	22 [0.87]
	R ½	69.5 [2.74]	19 [0.75]	10.5 [0.41]	31.5 [1.24]	4.5 [0.18]	83.5 [3.29]	80 [3.15]	22 [0.87]

Process connection with thread per ANSI/B1.20.1

NS	G	Dimensions in mm [in]							
		$h \pm 1 [0.04]$	S3	a	$b \pm 0.5 [0.02]$	e	D1	D2	SW
80 [3"]	¼ NPT	67.5 [2.66]	17 [0.67]	10.5 [0.41]	31.5 [1.24]	4.5 [0.18]	83.5 [3.29]	80 [3.15]	22 [0.87]
	½ NPT	69.5 [2.74]	19 [0.75]	10.5 [0.41]	31.5 [1.24]	4.5 [0.18]	83.5 [3.29]	80 [3.15]	22 [0.87]

NS 100 [4"], lower mount (radial)



NS	Weight
NS 100 [4"]	0.5 kg [1.1 lb]

Process connection with thread per EN 837-1

NS	G	Dimensions in mm [in]							
		$h \pm 1$ [0.04]	S3	a	$b \pm 0.5$ [0.02]	e	D1	D2	SW
100 [4"]	G ¼ B	77.5 [3.05]	17 [0.67]	10.5 [0.41]	34.5 [1.36]	8 [0.31]	107 [4.21]	100 [3.94]	22 [0.87]
	G ½ B	80.5 [3.17]	20 [0.87]	10.5 [0.41]	34.5 [1.36]	8 [0.31]	107 [4.21]	100 [3.94]	22 [0.87]
	M20 x 1.5	80.5 [3.17]	20 [0.87]	10.5 [0.41]	34.5 [1.36]	8 [0.31]	107 [4.21]	100 [3.94]	22 [0.87]

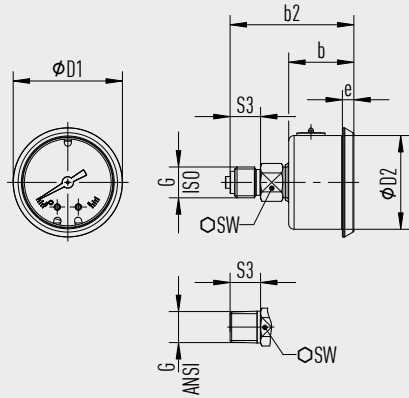
Process connection with thread per ISO 7

NS	G	Dimensions in mm [in]							
		$h \pm 1$ [0.04]	S3	a	$b \pm 0.5$ [0.02]	e	D1	D2	SW
100 [4"]	R ¼	77.5 [3.05]	17 [0.67]	10.5 [0.41]	34.5 [1.36]	8 [0.31]	107 [4.21]	100 [3.94]	22 [0.87]
	R ½	79.5 [3.13]	19 [0.75]	10.5 [0.41]	34.5 [1.36]	8 [0.31]	107 [4.21]	100 [3.94]	22 [0.87]

Process connection with thread per ANSI/B1.20.1

NS	G	Dimensions in mm [in]							
		$h \pm 1$ [0.04]	S3	a	$b \pm 0.5$ [0.02]	e	D1	D2	SW
100 [4"]	¼ NPT	77.5 [3.05]	17 [0.67]	10.5 [0.41]	34.5 [1.36]	8 [0.31]	107 [4.21]	100 [3.94]	22 [0.87]
	½ NPT	79.5 [3.13]	19 [0.75]	10.5 [0.41]	34.5 [1.36]	8 [0.31]	107 [4.21]	100 [3.94]	22 [0.87]

NS 40 [1 1/2"], centre back mount



31062288.02

NS	Weight
NS 40 [1 1/2"]	0.1 kg [0.22 lb]

Process connection with thread per EN 837-1

NS	G	Dimensions in mm [in]					
		b2 ±1 [0.04]	b ±0.5 [0.02]	S3	D1	D2	SW
40 [1 1/2"]	G 1/8 B	50 [1.97]	28 [1.1]	10 [0.39]	47 [1.85]	40 [1.57]	14 [0.55]
	G 1/4 B	53 [2.08]	28 [1.1]	13 [0.51]	47 [1.85]	40 [1.57]	14 [0.55]
	M10 x 1	51 [2.01]	28 [1.1]	11 [0.43]	47 [1.85]	40 [1.57]	14 [0.55]

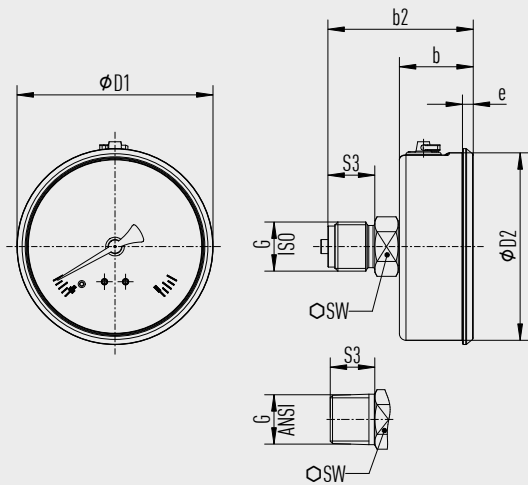
Process connection with thread per ISO 7

NS	G	Dimensions in mm [in]					
		b2 ±1 [0.04]	b ±0.5 [0.02]	S3	D1	D2	SW
40 [1 1/2"]	R 1/8	50 [1.97]	28 [1.1]	10 [0.39]	47 [1.85]	40 [1.57]	14 [0.55]
	R 1/4	53 [2.08]	28 [1.1]	13 [0.51]	47 [1.85]	40 [1.57]	14 [0.55]

Process connection with thread per ANSI/B1.20.1

NS	G	Dimensions in mm [in]					
		b2 ±1 [0.04]	b ±0.5 [0.02]	S3	D1	D2	SW
40 [1 1/2"]	1/8 NPT	50 [1.97]	28 [1.1]	10 [0.39]	47 [1.85]	40 [1.57]	14 [0.55]
	1/4 NPT	53 [2.08]	28 [1.1]	13 [0.51]	47 [1.85]	40 [1.57]	14 [0.55]

NS 80 [3"], centre back mount



31067077.02

NS	Weight
NS 80 [3"]	0.3 kg [0.66 lb]

Process connection with thread per EN 837-1

NS	G	Dimensions in mm [in]					
		b2 ±1 [0.04]	b ±0.5 [0.02]	S3	D1	D2	SW
80 [3"]	G ¼ B	59 [2.32]	31.5 [1.24]	17 [0.67]	83.5 [3.29]	80 [3.15]	22 [0.87]
	G ½ B	62 [2.44]	31.5 [1.24]	20 [0.79]	83.5 [3.29]	80 [3.15]	22 [0.87]
	M20 x 1.5	62 [2.44]	31.5 [1.24]	20 [0.79]	83.5 [3.29]	80 [3.15]	22 [0.87]

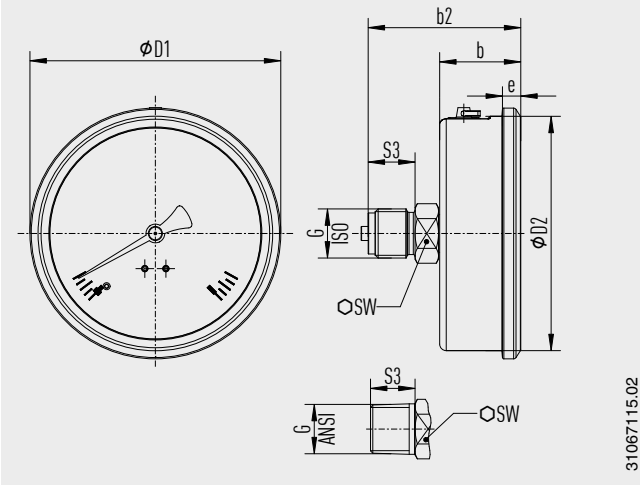
Process connection with thread per ISO 7

NS	G	Dimensions in mm [in]					
		b2 ±1 [0.04]	b ±0.5 [0.02]	S3	D1	D2	SW
80 [3"]	R ¼	59 [2.32]	31.5 [1.24]	17 [0.67]	83.5 [3.29]	80 [3.15]	22 [0.87]
	R ½	61 [2.4]	31.5 [1.24]	19 [0.75]	83.5 [3.29]	80 [3.15]	22 [0.87]

Process connection with thread per ANSI/B1.20.1

NS	G	Dimensions in mm [in]					
		b2 ±1 [0.04]	b ±0.5 [0.02]	S3	D1	D2	SW
80 [3"]	¼ NPT	59 [2.32]	31.5 [1.24]	17 [0.67]	83.5 [3.29]	80 [3.15]	22 [0.87]
	½ NPT	61 [2.4]	31.5 [1.24]	19 [0.75]	83.5 [3.29]	80 [3.15]	22 [0.87]

NS 100 [4"], centre back mount



NS	Weight
NS 100 [4"]	0.5 kg [1.1 lb]

Process connection with thread per EN 837-1

NS	G	Dimensions in mm [in]					
		$b2 \pm 1 [0.04]$	$b \pm 0.5 [0.02]$	S3	D1	D2	SW
100 [4"]	G ¼ B	62 [2.44]	34.5 [1.36]	17 [0.67]	107 [4.21]	100 [3.94]	22 [0.87]
	G ½ B	65 [2.56]	34.5 [1.36]	20 [0.87]	107 [4.21]	100 [3.94]	22 [0.87]
	M20 x 1.5	65 [2.56]	34.5 [1.36]	20 [0.87]	107 [4.21]	100 [3.94]	22 [0.87]









Process connection with thread per ISO 7

NS	G	Dimensions in mm [in]					
		$b2 \pm 1 [0.04]$	$b \pm 0.5 [0.02]$	S3	D1	D2	SW
100 [4"]	R ¼	62 [2.44]	34.5 [1.36]	17 [0.67]	107 [4.21]	100 [3.94]	22 [0.87]
	R ½	64 [2.52]	34.5 [1.36]	19 [0.75]	107 [4.21]	100 [3.94]	22 [0.87]

Process connection with thread per ANSI/B1.20.1

NS	G	Dimensions in mm [in]					
		$b2 \pm 1 [0.04]$	$b \pm 0.5 [0.02]$	S3	D1	D2	SW
100 [4"]	¼ NPT	62 [2.44]	34.5 [1.36]	17 [0.67]	107 [4.21]	100 [3.94]	22 [0.87]
	½ NPT	64 [2.52]	34.5 [1.36]	19 [0.75]	107 [4.21]	100 [3.94]	22 [0.87]

Accessories and spare parts

Model	Description
	910.33 Adhesive label set for red and green circular arcs → See data sheet AC 08.03
	910.17 Sealings → See data sheet AC 09.08
	910.15 Syphons → See data sheet AC 09.06
	910.13 Overpressure protector → See data sheet AC 09.04
	IV10, IV11 Needle valve and multiport valve → See data sheet AC 09.22
	IV20, IV21 Block-and-bleed valve → See data sheet AC 09.19
	IVM Monoflange, process and instrument version → See data sheet AC 09.17
	BV Ball valve, process and instrument version → See data sheet AC 09.28

Ordering information

Model / Nominal size / Scale range / Process connection / Connection location / Options

© 09/2008 WIKA Alexander Wiegand SE & Co. KG, all rights reserved.
The specifications given in this document represent the state of engineering at the time of publishing.
We reserve the right to make modifications to the specifications and materials.
In case of a different interpretation of the translated and the English data sheet, the English wording shall prevail.

WIKA data sheet PM 01.08 · 05/2023

Page 13 of 13

Your WIKA Sales Partner



ICS Schneider Messtechnik GmbH
Briesestrasse 59
D-16562 Hohen Neuendorf / OT Bergfelde
Tel.: +49 3303 5040-66
Fax: +49 3303 5040-68
E-Mail: info@ics-schneider.de



WIKAL Alexander Wiegand SE & Co. KG
Alexander-Wiegand-Straße 30
63911 Klingenberg/Germany
Tel. +49 9372 132-0
info@wika.de
www.wika.com