

Bourdon tube pressure gauge, stainless steel XSEL® process pressure gauge Models 232.34 and 233.34, NS 4 1/2" and 6"

WIKA data sheet PM 02.10



for further approvals
see page 5

XSEL®

Applications

- For applications with highly dynamic pressure loads and vibrations
- For gaseous and liquid aggressive media that are not highly viscous or crystallising, also in aggressive environments
- Process industry: Plant construction, chemical industry, petrochemical industry, power plants, mining, on-/offshore and environmental technology
- Machine building and general plant construction

Special features

- Excellent load-cycle stability and shock resistance
- Safety version with solid baffle wall designed in compliance with the requirements and test conditions of ASME B 40.100
- With case filling (model 233.34) for applications with high dynamic pressure loads and vibrations
- Scale ranges from 0 ... 10 to 0 ... 30,000 psi [0 ... 0.6 to 0 ... 2,000 bar]



Bourdon tube pressure gauge, model 232.34, NS 4 1/2"

Description

This high-quality Bourdon tube pressure gauge has been designed especially for the process industry.

The use of high-quality materials and the robust design are geared to applications in the chemical and process engineering industries.

Scale ranges of 0 ... 10 to 0 ... 30,000 psi [0 ... 0.6 to 0 ... 2,000 bar] ensure the measuring ranges required for a wide variety of applications.

WIKA manufactures and qualifies the pressure gauge in accordance with the standard ASME B40.100. As a safety function, this instrument has a solid baffle wall with blow-out back.

In the event of a failure, the operator is protected at the front side, as media or components can only be ejected via the back of the case.

The glass-fibre reinforced POCAN® case offers the necessary stability for reproducible measurements, even under aggressive ambient conditions.

With the model 233.34, the case filling in combination with a screwed-in restrictor enables use in applications with highly dynamic pressure loads and vibrations.

Specifications

| Basic information | |
|--|---|
| Standard | ASME B40.100 |
| Special design feature | <ul style="list-style-type: none"> ■ Without ■ For oxygen, cleanliness per ASME B40.1 level IV ■ Silicone-oil-free version ■ NACE version |
| Nominal size (NS) | <ul style="list-style-type: none"> ■ 4 ½" [115 mm] ■ 6" [160 mm] |
| Connection location | <ul style="list-style-type: none"> ■ Lower mount (radial) ■ Lower back mount |
| Window | <ul style="list-style-type: none"> ■ Clear non-splintering plastic ■ Instrument glass ■ Laminated safety glass |
| | Sealing from NBR |
| Case | |
| Design | With solid baffle wall (Solidfront) and blow-out back |
| Internal pressure compensation ¹⁾ | <ul style="list-style-type: none"> ■ Without ■ With diaphragm |
| Material | POCAN® (thermoplastic), black ²⁾ |
| Ring | Threaded bezel, POCAN®, black ²⁾ |
| Mounting | <ul style="list-style-type: none"> ■ Surface mounting flange (integrated into case) ■ Adapter kit for panel mounting incl. front bezel from polished stainless steel ³⁾ |
| Case filling (model 233.34) | <ul style="list-style-type: none"> ■ Without ■ Glycerine ■ Glycerine-water mixture for scale ranges ≤ 0 ... 40 psi [≤ 0 ... 2.5 bar] ■ Silicone oil ■ Halocarbon oil |
| Movement | <ul style="list-style-type: none"> ■ Stainless steel ■ Stainless steel, dampened with silicone oil |
| | Internal movement stop with vacuum and 1.1-fold full scale value |

1) Filled instruments or instruments with radial lower mount connection are always equipped with a diaphragm for internal pressure compensation

2) Case and ring also available in red or yellow (only for NS 4 ½" [115], lower mount (radial))

3) Only available for NS 4 ½" [115]

| Measuring element | |
|---------------------------|--------------------------------------|
| Type of measuring element | Bourdon tube, C-type or helical type |
| Material | Stainless steel 316L |

| Accuracy specifications | |
|-------------------------|--|
| Accuracy class | ±0.5 % of measuring span (grade 2A) ¹⁾ |
| Temperature error | On deviation from the reference conditions at the measuring system: ≤ ±0.4 % per 18 °F [≤ ±0.4 % per 10 °C] of full scale value |
| Reference conditions | |
| Ambient temperature | +68 °F [+20 °C] |

1) ±1 % of measuring span (grade 1A) for scale range ≥ 0 ... 20,000 psi [0 ... 1,600 bar]

Scale ranges, gauge pressure

| psi | |
|-----------|----------------------------|
| 0 ... 10 | 0 ... 1,000 |
| 0 ... 15 | 0 ... 1,500 |
| 0 ... 30 | 0 ... 2,000 |
| 0 ... 60 | 0 ... 3,000 |
| 0 ... 100 | 0 ... 5,000 |
| 0 ... 160 | 0 ... 10,000 |
| 0 ... 200 | 0 ... 15,000 |
| 0 ... 300 | 0 ... 20,000 |
| 0 ... 400 | 0 ... 30,000 ¹⁾ |
| 0 ... 600 | |

| bar | |
|-----------|---------------------------|
| 0 ... 0,6 | 0 ... 60 |
| 0 ... 1 | 0 ... 100 |
| 0 ... 1.6 | 0 ... 160 |
| 0 ... 2.5 | 0 ... 250 |
| 0 ... 4 | 0 ... 400 |
| 0 ... 6 | 0 ... 600 |
| 0 ... 10 | 0 ... 1,000 |
| 0 ... 16 | 0 ... 1,600 |
| 0 ... 25 | 0 ... 2,000 ¹⁾ |
| 0 ... 40 | |

| kPa | |
|-------------|-----------------------------|
| 0 ... 60 | 0 ... 6,000 |
| 0 ... 100 | 0 ... 10,000 |
| 0 ... 160 | 0 ... 16,000 |
| 0 ... 250 | 0 ... 25,000 |
| 0 ... 400 | 0 ... 40,000 |
| 0 ... 600 | 0 ... 60,000 |
| 0 ... 1,000 | 0 ... 100,000 |
| 0 ... 1,600 | 0 ... 160,000 |
| 0 ... 2,500 | 0 ... 200,000 ¹⁾ |
| 0 ... 4,000 | |

| MPa | |
|------------|-------------------------|
| 0 ... 0.06 | 0 ... 6 |
| 0 ... 0.1 | 0 ... 10 |
| 0 ... 0.16 | 0 ... 16 |
| 0 ... 0.25 | 0 ... 25 |
| 0 ... 0.4 | 0 ... 40 |
| 0 ... 0.6 | 0 ... 60 |
| 0 ... 1.0 | 0 ... 100 |
| 0 ... 1.6 | 0 ... 160 |
| 0 ... 2.5 | 0 ... 200 ¹⁾ |
| 0 ... 4 | |

¹⁾ Only available with a G ½ B or a high-pressure process connection (e.g. Autoclave Engineering)

Vacuum and +/- scale ranges

| psi | |
|------------------|-------------------|
| -30 inHg ... 0 | -30 inHg ... +100 |
| -30 inHg ... +15 | -30 inHg ... +160 |
| -30 inHg ... +30 | -30 inHg ... +200 |
| -30 inHg ... +60 | -30 inHg ... +300 |

| bar | |
|-------------|------------|
| -1 ... 0 | -1 ... +5 |
| -1 ... +0.6 | -1 ... +9 |
| -1 ... +1.5 | -1 ... +15 |
| -1 ... +3 | -1 ... +24 |

| kPa | |
|---------------|-----------------|
| -100 ... 0 | -100 ... +500 |
| -100 ... +60 | -100 ... +900 |
| -100 ... +150 | -100 ... +1,500 |
| -100 ... +300 | -100 ... +2,400 |

| MPa | |
|----------------|---------------|
| -0.1 ... 0 | -0.1 ... +0.5 |
| -0.1 ... +0.06 | -0.1 ... +0.9 |
| -0.1 ... +0.15 | -0.1 ... +1.5 |
| -0.1 ... +0.3 | -0.1 ... +2.4 |

Further details on: Scale ranges

Unit

- psi
- bar
- kg/cm²
- kPa
- MPa

| Further details on: Scale ranges | |
|----------------------------------|--|
| Increased overload safety | <ul style="list-style-type: none"> ■ Without ■ 2-fold ■ 3-fold ■ 4-fold ■ 5-fold <p>The possibility of selection depends on the scale range</p> |
| Vacuum resistance | <ul style="list-style-type: none"> ■ Without ■ Vacuum-resistant to -1 bar |
| Dial | |
| Scale colour | Black |
| Material | Aluminium |
| Customer-specific version | <ul style="list-style-type: none"> ■ Without ■ Reflecting scales with InSight™ printing (e.g. white reflecting scale, fluorescent or glow-in-the-dark dial) <p>Other scales, e.g. with red mark, circular arcs or circular sectors, on request</p> |
| Pointer | |
| Instrument pointer | Adjustable pointer, aluminium, black |
| Mark pointer/drag pointer | <ul style="list-style-type: none"> ■ Without ■ Red drag pointer on window, resetting with fixed adjustment key ■ Red drag pointer on window, resetting with removable adjustment key |
| Pointer stop pin | At 6 o'clock |

Other scale ranges and units on request

| Process connection | |
|--------------------------|--|
| Standard | <ul style="list-style-type: none"> ■ ANSI/ASME B1.20.1 ■ EN 837-1 |
| Size | |
| ANSI/ASME B1.20.1 | <ul style="list-style-type: none"> ■ ¼ NPT, male thread ■ ½ NPT, male thread |
| EN 837-1 | <ul style="list-style-type: none"> ■ G ¼ B, male thread ■ G ½ B, male thread |
| Restrictor | <ul style="list-style-type: none"> ■ Ø 0.6 mm [0.024"], stainless steel ■ Ø 0.3 mm [0.012"], stainless steel |
| Material (wetted) | |
| Process connection | Stainless steel 316L |
| Bourdon tube | Stainless steel 316L |

Other process connections on request

| Operating conditions | | |
|---|--|--------------------------------------|
| Medium temperature | -4 ... +212 °F [-20 ... +100 °C] | |
| Ambient temperature | | |
| With glycerine filling | -4 ... +140 °F [-20 ... +60 °C] | |
| Unfilled instruments or with silicone oil filling | -40 ... +140 °F [-40 ... +60 °C] | |
| Pressure limitation | Steady | Full scale value |
| | Fluctuating | 0.9 x full scale value |
| | Short time | 1.5 x full scale value ¹⁾ |
| Ingress protection ²⁾ | <ul style="list-style-type: none"> ■ IP54 per EN/IEC 60529 ■ IP65 per EN/IEC 60529 | |



1) 1,0 x full scale value for scale ranges > 10,000 psi [690 bar]

2) Filled instruments or instruments with radial lower mount connection always fulfil IP65 ingress protection

Approvals

| Logo | Description | Region |
|---|---|----------------|
|  | EU declaration of conformity Pressure equipment directive PS > 200 bar, module A, pressure accessory | European Union |
| - | CRN Safety (e.g. electr. safety, overpressure, ...) For scale ranges ≤ 1,000 bar | Canada |

Optional approvals

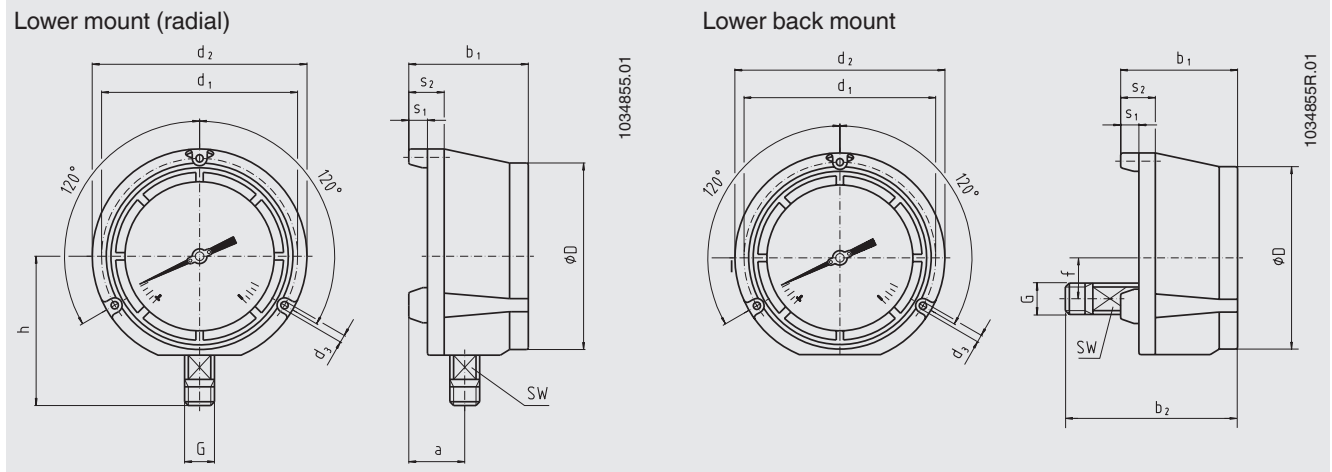
| Logo | Description | Region |
|---|--|------------|
|  | PAC Russia Metrology, measurement technology | Russia |
|  | PAC Kazakhstan Metrology, measurement technology | Kazakhstan |
| - | MChS Permission for commissioning | Kazakhstan |

Certificates (option)

| Certificates | |
|---|---|
| Certificates | <ul style="list-style-type: none"> ■ 2.2 test report per EN 10204 (e.g. state-of-the-art manufacturing, indication accuracy) ■ 3.1 inspection certificate per EN 10204 (e.g. material proof for wetted metal parts, indication accuracy) ■ A2LA calibration certificate, traceable and accredited in accordance with ISO/IEC 17025 ■ Calibration certificate by a national accreditation body, traceable and accredited in accordance with ISO/IEC 17025 on request |
| Recommended recalibration interval | 1 year (dependent on conditions of use) |

→ Approvals and certificates, see website

Dimensions in inch [mm]



Process connection with thread per ANSI/ASME B1.20.1

| NS | G | Dimensions in inch [mm] | | | | | | | | | | | |
|-----------------|---------|-------------------------|----------------|-----------------|---------------|-----------------|----------------|----------------|----------------|-----------------|----------------|----------------|--------------|
| | | a | b ₁ | b ₂ | D | d ₁ | d ₂ | d ₃ | f | h | s ₁ | s ₂ | SW |
| 4 1/2" [115] | 1/4 NPT | 1.57 [40] | 3.31 [84] | 4.49 [114] | 5 [128] | 5.37 [136.5] | 5.83 [148] | 0.248 [6.3] | 1.12 [28.5] | 3.91 [99] | 0.49 [12.5] | 0.99 [25] | 0.87 [22] |
| | 1/2 NPT | 1.57 [40] | 3.31 [84] | 4.74 [120] | 5 [128] | 5.37 [136.5] | 5.83 [148] | 0.248 [6.3] | 1.12 [28.5] | 4.06 [103] | 0.49 [12.5] | 0.99 [25] | 0.87 [22] |
| 6" [160] | 1/4 NPT | 1.58 [40.2] | 3.46 [88] | 4.62 [117.4] | 6.46 [164] | 7 [177.8] | 7.5 [190] | 0.28 [7.1] | 1.12 [28.5] | 4.58 [116.5] | 0.5 [12.7] | 1 [25.4] | 0.87 [22] |
| | 1/2 NPT | 1.58 [40.2] | 3.46 [88] | 4.86 [123.4] | 6.46 [164] | 7 [177.8] | 7.5 [190] | 0.28 [7.1] | 1.12 [28.5] | 4.82 [122.5] | 0.5 [12.7] | 1 [25.4] | 0.87 [22] |

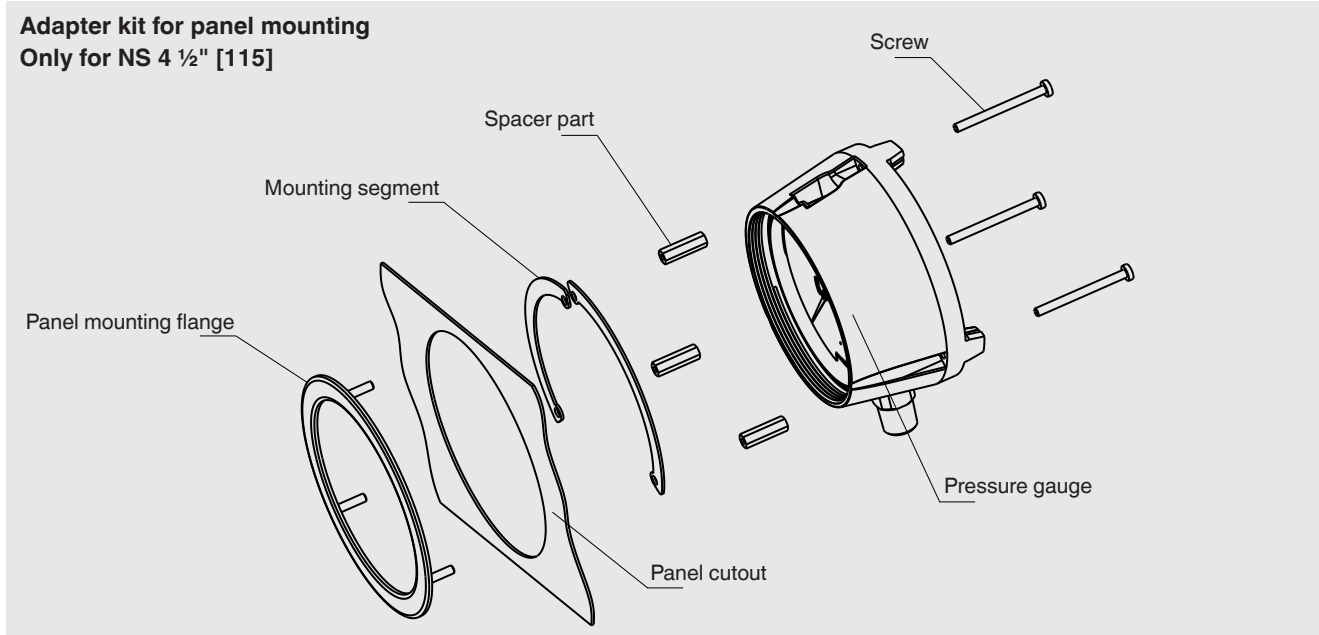
Process connection with thread per EN 837-1

| NS | G | Dimensions in inch [mm] | | | | | | | | | | | |
|-----------------|---------|-------------------------|----------------|-----------------|---------------|-----------------|----------------|----------------|----------------|-----------------|----------------|----------------|--------------|
| | | a | b ₁ | b ₂ | D | d ₁ | d ₂ | d ₃ | f | h | s ₁ | s ₂ | SW |
| 4 1/2" [115] | G 1/4 B | 1.57 [40] | 3.31 [84] | 4.49 [114] | 5 [128] | 5.37 [136.5] | 5.83 [148] | 0.248 [6.3] | 1.12 [28.5] | 3.82 [97] | 0.49 [12.5] | 0.99 [25] | 0.87 [22] |
| | G 1/2 B | 1.57 [40] | 3.31 [84] | 4.76 [121] | 5 [128] | 5.37 [136.5] | 5.83 [148] | 0.248 [6.3] | 1.12 [28.5] | 4.09 [104] | 0.49 [12.5] | 0.99 [25] | 0.87 [22] |
| 6" [160] | G 1/4 B | 1.58 [40.2] | 3.46 [88] | 4.62 [117.4] | 6.46 [164] | 7 [177.8] | 7.5 [190] | 0.28 [7.1] | 1.12 [28.5] | 4.58 [116.5] | 0.5 [12.7] | 1 [25.4] | 0.87 [22] |
| | G 1/2 B | 1.58 [40.2] | 3.46 [88] | 4.89 [124.4] | 6.46 [164] | 7 [177.8] | 7.5 [190] | 0.28 [7.1] | 1.12 [28.5] | 4.86 [123.5] | 0.5 [12.7] | 1 [25.4] | 0.87 [22] |

| NS | Weight | |
|--------------|------------------------|------------------------|
| | Model 232.34 | Model 233.34 |
| 4 1/2" [115] | approx. 2 lbs [0.9 kg] | approx. 3 lbs [1.4 kg] |
| 6" [160] | approx. 3 lbs [1.4 kg] | approx. 4 lbs [1.8 kg] |





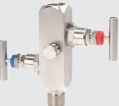
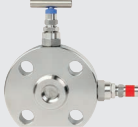


Accessories

Adapter kit for panel mounting Only for NS 4 1/2" [115]



| Dimensions in inch [mm] | | Order number |
|--------------------------|---------------------------------|--------------|
| Recommended panel cutout | Wall thickness of control panel | |
| Ø 5.69 [144.5] | 0.063 ... 0.31 [1.5 ... 7.9] | 0738581 |

Accessories and spare parts

| Model | Description |
|---|---|
|  | 910.17 Sealings → see data sheet AC 09.08 |
|  | 910.15 Syphons → see data sheet AC 09.06 |
|  | 910.13 Overpressure protector → see data sheet AC 09.04 |
|  | IV10, IV11 Needle valve and multiport valve → see data sheet AC 09.22 |
|  | IV20, IV21 Block-and-bleed valve → see data sheet AC 09.19 |
|  | IVM Monoflange, process and instrument version → see data sheet AC 09.17 |
|  | BV Ball valve, process and instrument version → see data sheet AC 09.28 |
|  | IBF2, IBF3 Monoblock with flange connection → see data sheet AC 09.25 |

Ordering information

Model / Nominal size / Scale range / Process connection / Connection location / Options

© 02/1995 WIKA Alexander Wiegand SE & Co. KG, all rights reserved.
 The specifications given in this document represent the state of engineering at the time of publishing.
 We reserve the right to make modifications to the specifications and materials.

WIKA data sheet PM 02.10 · 10/2021

Page 8 of 8

Your WIKA Sales Partner



ICS Schneider Messtechnik GmbH
 Briesestrasse 59
 D-16562 Hohen Neuendorf / OT Bergfelde
 Tel.: +49 3303 5040-66
 Fax: +49 3303 5040-68
 E-Mail: info@ics-schneider.de



WIKAL Alexander Wiegand SE & Co. KG
 Alexander-Wiegand-Straße 30
 63911 Klingenberg/Germany
 Tel. +49 9372 132-0
 Fax +49 9372 132-406
 info@wika.de
 www.wika.de