

Bourdon tube pressure gauge UHP, stainless steel version Model 230.15

WIKA data sheet PM 02.20

Applications

- For gaseous and liquid, also aggressive media for demanding high purity applications, also in aggressive ambience
- For all UHP (ultra high purity) applications
- Semiconductor and flat panel industry
- Gas distribution systems, medical gases
- Hook-up application

Special features

- VCR® compatible pressure connection threads
- Helium leak tested
- Electropolished case
- Process connection surface finish $R_a \leq 0.25 \mu\text{m}$



Bourdon tube pressure gauge, UHP model 230.15.2", process connection VCR® compatible face seal fitting with union nut

Description

Nominal size

1 ½", 2"

Accuracy class

NS 1 ½": Grade B per ASME B40.1

NS 2": Grade A per ASME B40.1

Scale ranges

0 ... 1 to 0 ... 400 bar (0 ... 15 to 0 ... 6,000 psi)

or all other equivalent vacuum or combined pressure and vacuum ranges

Pressure limitation

Steady: ¾ x full scale value

Fluctuating: 2/3 x full scale value

Short time: Full scale value

Permissible temperature

Ambient: -40 ... +60 °C

Medium: +100 °C maximum

Temperature effect

When the temperature of the measuring system deviates from the reference temperature (+20 °C):

max. $\pm 0.4 \%$ /10 K of full scale value

Ingress protection

IP 54 per EN 60529 / IEC 529

VCR® is a registered trademark of Swagelok

Standard version

Process connection

Stainless steel 316L,
 lower mount (LM) or centre back mount (CBM)
 VCR® compatible face seal fitting optionally:
 with union nut
 with male nut
 or with male thread 9/16-18 UNF fixed

Pressure element

Stainless steel 316L
 < 100 bar: C-type
 ≥ 100 bar: Helical type
 Measuring system in crevice free design,
 jet-finished and passivated after welding
 Ra < 0.5 µm (Ra < 20 µinch)
 Leak tightness: Leak rate ≤ 10-9 mbar · l / s
 Test method: Helium mass spectrometry

Movement

Stainless steel

Dial

Aluminium, white, black lettering, with pointer stop pin

Pointer

Aluminium, black

Case

Stainless steel, electropolished

Window

Polycarbonate
 NS 1 ½": Snap-in window
 NS 2": Screw-fitted on case (twist lock)

Cleaning

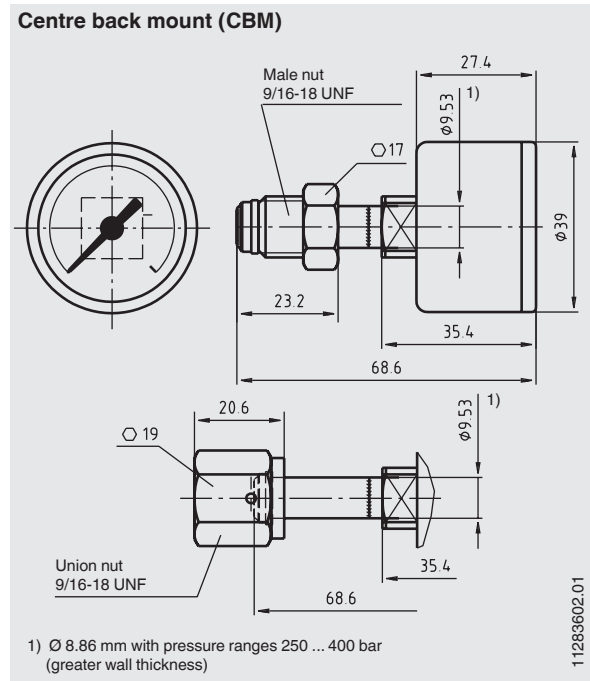
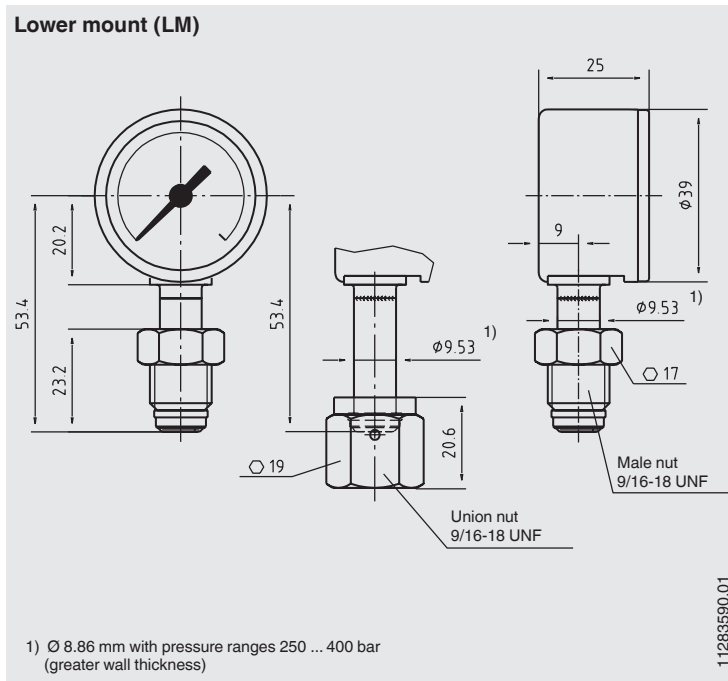
Clean for semiconductor applications in accordance with SEMI / SEMATEC

Options

- Other process connection
- Smaller process connection surface finish Ra ≤ 0.3 µm
- Dual scale

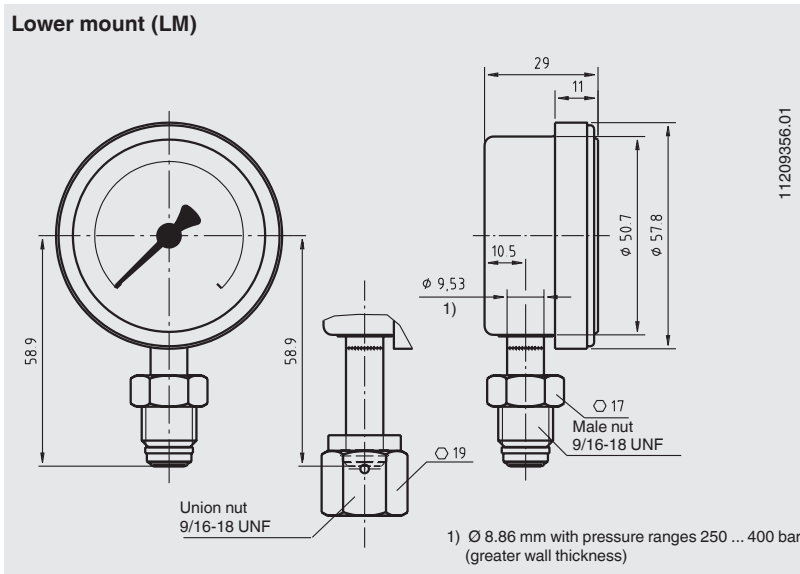
Dimensions in mm

Standard version NS 1 ½"

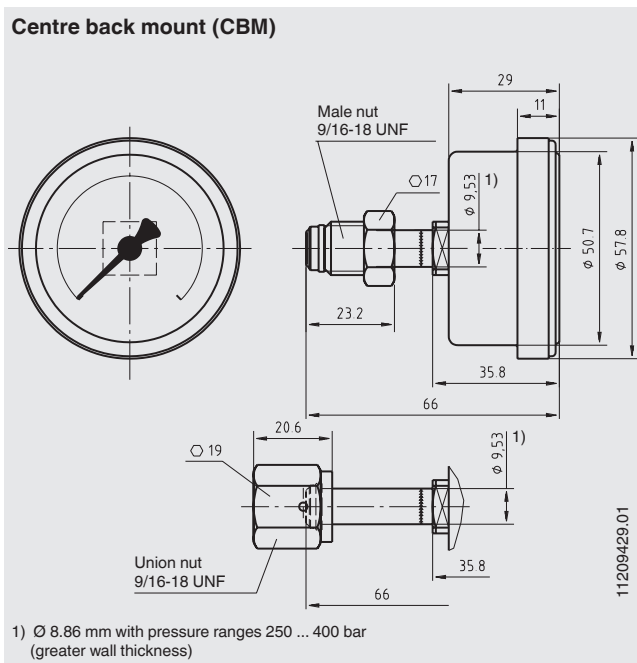


Standard version NS 2"

Lower mount (LM)



Centre back mount (CBM)



Ordering information

Model / Nominal size / Scale range / Connection size / Connection location / Options

© 2007 WIKA Alexander Wiegand SE & Co. KG, all rights reserved.
The specifications given in this document represent the state of engineering at the time of publishing.
We reserve the right to make modifications to the specifications and materials.

WIKA data sheet PM 02.20 · 12/2011

Page 3 of 3

Your WIKA Sales Partner



ICS Schneider Messtechnik GmbH
Briesestrasse 59
D-16562 Hohen Neuendorf / OT Bergfelde
Tel.: +49 3303 5040-66
Fax: +49 3303 5040-68
E-Mail: info@ics-schneider.de



WIKA Alexander Wiegand SE & Co. KG
Alexander-Wiegand-Straße 30
63911 Klingenberg/Germany
Tel. (+49) 9372/132-0
Fax (+49) 9372/132-406
E-mail info@wika.de
www.wika.de