

Absolute pressure gauge, stainless steel

High overload safety

Models 532.52, 532.53 and 532.54

WIKA data sheet PM 05.02



for further approvals,
see page 6

Applications

- Pressure measurement independent of fluctuations in the atmospheric pressure
- For gaseous, liquid and aggressive media, also in aggressive environments
- Monitoring of vacuum pumps
- Control of vacuum packaging machines
- Monitoring of condensation pressures and determination of vapour pressure in liquids

Special features

- High overload safety
- Long service life due to metal media chamber sealing and the extremely gas-tight material of the reference chamber
- Instruments compatible with switch contacts
- Scale ranges from 0 ... 25 mbar absolute pressure



Absolute pressure gauge, model 532.52

Description

These absolute pressure gauges are used when the pressure measurement needs to be carried out independently of fluctuations in the atmospheric pressure.

Based on the diaphragm element measurement principle, extremely low scale ranges from 0 ... 25 mbar absolute pressure are available. These measuring instruments, made entirely of stainless steel, are suitable for gaseous, liquid and aggressive media.

The instruments owe their high long-term stability and subsequent long service life to the special, extremely gas-tight material of the reference chamber.

Thus, the required vacuum can be maintained in the

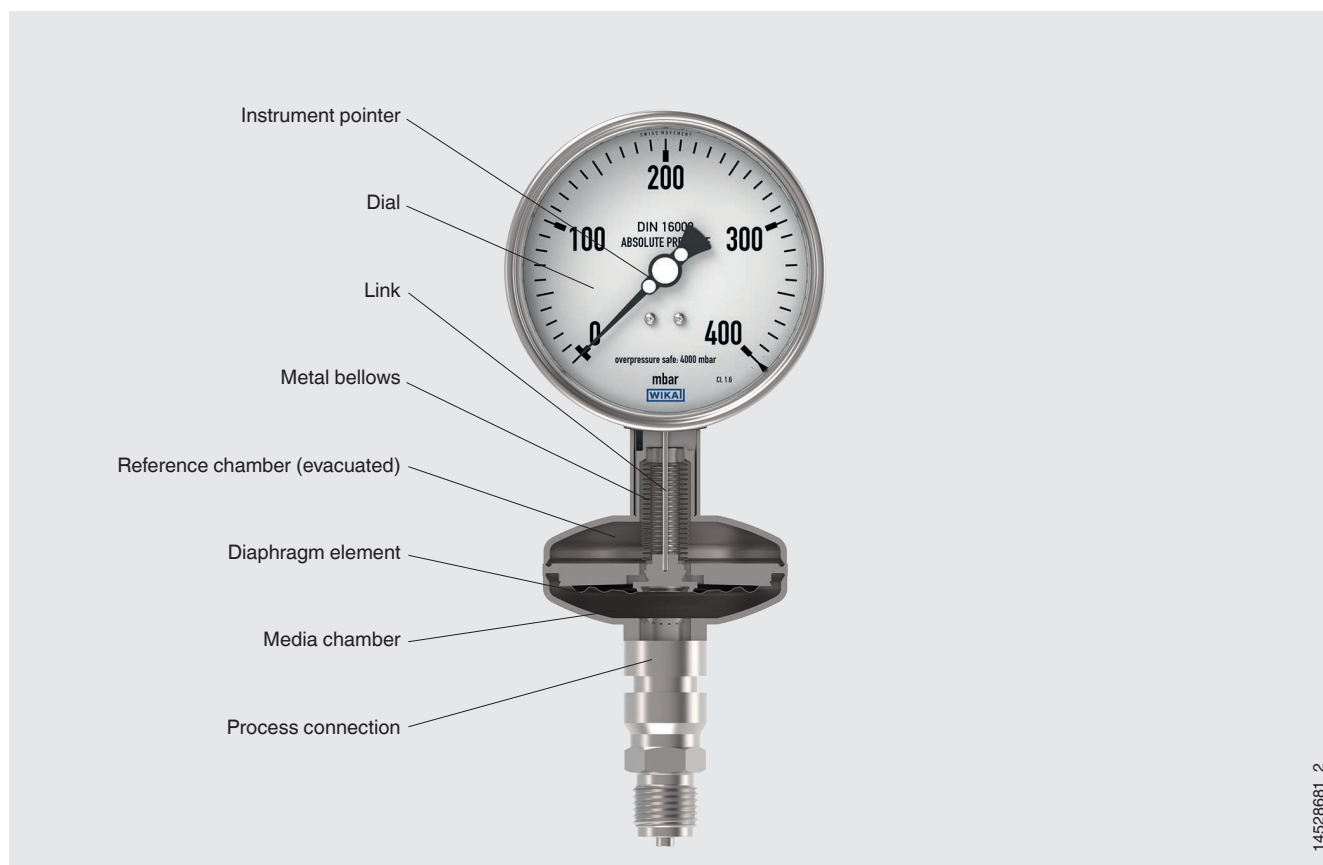
reference chamber for a long time. A metal media chamber sealing also contributes to this.

In addition, depending on the scale range, this instrument features an overload safety of at least 1 bar absolute pressure. Depending on the version, the overload safety can be up to 20 times the full scale value, but a maximum of 25 bar absolute pressure.

For applications with shock or vibration loads, absolute pressure gauges with liquid filling can be used.

The qualification and production of the instruments is carried out in accordance with DIN 16002, which was developed with the cooperation of WIKA.

Functionality



The pressure measurement in absolute pressure gauges always refers to the absolute vacuum in the reference chamber. This makes it possible to measure pressure independently of natural fluctuations in atmospheric pressure. The pressure element separates the media chamber from the fully evacuated reference chamber. The pressure element, the diaphragm element, is a circular, corrugated diaphragm. The diaphragm element is welded at the edge and is subjected to pressure on one side by the pressure in the media chamber.

The pressure difference between media chamber and reference chamber causes the deflection, and thus the measuring travel, of the diaphragm element. The measuring travel of the diaphragm element is transmitted to the movement by a metal bellows via the link and displayed on the dial with the instrument pointer.

Overload safety

Independent of the scale range, the overload safety is at least 1 bar absolute pressure. This ensures that the ambient pressure (approx. 1 bar absolute pressure) cannot represent an overload.

Diaphragm elements can be subject to an overload of up to 20 times the full scale value, but max. up to 25 bar absolute pressure, through load take-up points (by bringing the diaphragm element up against the upper measuring flange). With this version, for example, in the scale range 0 ... 400 mbar abs., a short-term overpressure of up to 8 bar abs. would not be problematic and the accuracy would remain unaffected.

Monel version

For extremely corrosive media, the wetted parts can be supplied from Monel.

Specifications

Basic information	
Standard	
Absolute pressure gauges with diaphragm elements and capsule elements	DIN 16002
→ For information on the "Selection, installation, handling and operation of pressure gauges", see Technical information IN 00.05.	
Nominal size (NS)	<ul style="list-style-type: none"> ■ Ø 100 mm [4"] ■ Ø 160 mm [6"]
Window	Laminated safety glass
Case	
Design, model 532.52, 532.53, 532.54, 533.52, 533.53, 533.54, 562.54, 563.54	Safety level "S1" per EN 837-1: With blow-out device
Design, model 532.32, 532.33, 532.34, 533.32, 533.33, 533.34, 562.34, 563.34	Safety level "S3" per EN 837-1: With solid baffle wall and blow-out back
Material	<ul style="list-style-type: none"> ■ Stainless steel 1.4301 (304) ■ Stainless steel 1.4571 (316 Ti)
Ring	Bayonet ring, stainless steel
Mounting	<ul style="list-style-type: none"> ■ Without ■ Panel mounting flange, stainless steel
Case filling	<ul style="list-style-type: none"> ■ Without ■ Glycerine-water mixture ²⁾ ■ Silicone oil M50 ²⁾ Instruments with case filling with compensating valve to vent and reseal case.
Movement	Stainless steel

1) Only for instruments with Ex approval

2) Ingress protection IP65 for instruments with case filling

Measuring element	
Type of measuring element	Diaphragm element
Materials (wetted)	
Diaphragm element	<ul style="list-style-type: none"> ■ Stainless steel 1.4571 (316 Ti), for span ≤ 0.25 bar ■ NiCr alloy (Inconel), for span > 0.25 bar ■ Monel ¹⁾
Process connection with lower measuring flange	<ul style="list-style-type: none"> ■ Stainless steel 1.4571 (316 Ti) ■ Monel ¹⁾

1) The Monel version (models 562.54, 563.54, 562.34, 563.34) is only available in accuracy class 2.5.

Accuracy specifications	
Accuracy class	<ul style="list-style-type: none"> ■ 1.0 for model 532.52, 533.52, 532.32, 533.32 ■ 1.6 for model 532.53, 533.53, 532.33, 533.33 ■ 2.5 for model 532.54, 533.54, 532.34, 533.34, 562.54, 563.54, 562.34, 563.34 The accuracy is ensured for ambient pressure fluctuations between 955 and 1,065 mbar (min. and max. of atmospheric pressure).
Temperature error	On deviation from the reference conditions at the measuring system: ≤ ±0.8 % per 10 °C [≤ ±0.8 % per 18 °F] of full scale value
Reference conditions	
Ambient temperature	+20 °C [68 °F]

Scale ranges

Scale range
mbar abs.
0 ... 25
0 ... 40
0 ... 60
0 ... 100
0 ... 160
0 ... 250
0 ... 400
0 ... 600
0 ... 1,000
0 ... 30 ... 1,200 ¹⁾
bar abs.
0 ... 0.25
0 ... 1
0 ... 1.6
0 ... 2.5
0 ... 4
0 ... 6
0 ... 10
0 ... 16
0 ... 25

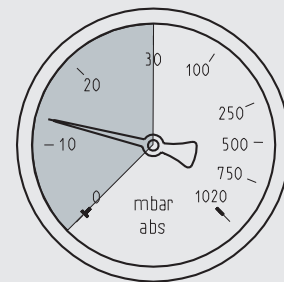
1) Expanded lower scale range

Scale range
psi abs.
0 ... 4
0 ... 6
0 ... 10
0 ... 15
0 ... 30
0 ... 60
0 ... 100
0 ... 150
0 ... 160
0 ... 200
0 ... 250
0 ... 300

Expanded lower scale range

Scale range 0 ... 1,020 mbar absolute pressure, working range 0 ... 30 mbar in class 1.6 expanded to approx. 130 $\frac{1}{3}$

Working range Class 1.6



Other scale ranges on request

Further details on: Scale ranges		
Unit	<ul style="list-style-type: none"> ■ mbar abs. ■ bar abs. ■ psi abs. ■ kPa abs. Other units on request	
Overload safety	<ul style="list-style-type: none"> ■ 10 x full scale value¹⁾, however max. 25 bar abs. ■ 20 x full scale value¹⁾, however max. 25 bar abs. 	
Dial		
Scale layout	<ul style="list-style-type: none"> ■ Single scale ■ Dual scale 	
Scale colour	Single scale	Black
	Dual scale	Black/red
Material	Aluminium	
Customer-specific version	Other scales, e.g. with red mark, circular arcs or circular sectors, on request → Alternatively, adhesive label set for red and green circular arcs; see data sheet AC 08.03	
Instrument pointer	Aluminium, black	

1) Regardless of the full scale value, this version can work with pressures of min. 1 bar abs.

Process connection	
Standard	<ul style="list-style-type: none"> ■ EN 837 ■ ANSI / ASME B1.20.1 ■ ASME B16.5 ■ EN 1092-1, form B
Size ¹⁾	
EN 837	<ul style="list-style-type: none"> ■ G ½ B ■ M20 x 1.5
ANSI / ASME B1.20.1	<ul style="list-style-type: none"> ■ ½ NPT
ASME B16.5	<ul style="list-style-type: none"> ■ Open connecting flange 1" class 150, RF ■ Open connecting flange 2" class 150, RF
EN 1092-1, form B1	<ul style="list-style-type: none"> ■ Open connecting flange DN 25 PN 25 ■ Open connecting flange DN 50 PN 25
DIN 28403	<ul style="list-style-type: none"> ■ Small flange for vacuum applications DN 10 ■ Small flange for vacuum applications DN 16
Materials (wetted)	
Diaphragm element	<ul style="list-style-type: none"> ■ Stainless steel 1.4571 (316 Ti), for span ≤ 0.25 bar ■ NiCr alloy (Inconel), for span > 0.25 bar ■ Monel²⁾
Process connection with lower measuring flange	<ul style="list-style-type: none"> ■ Stainless steel 1.4571 (316 Ti) ■ Monel²⁾

1) Further threaded connections and open connecting flanges per ASME B16.5 / EN 1092-1 form B from DN 15 to DN 80 (→ See data sheet IN 00.10)

2) The Monel version (models 562.54, 563.54, 562.34, 563.34) is only available in accuracy class 2.5.

Other process connections on request

Operating conditions	
Medium temperature range	<ul style="list-style-type: none"> ■ +100 °C [+212 °F] maximum ■ +200 °C [+392 °F] maximum
Ambient temperature range	<ul style="list-style-type: none"> ■ -20 ... +60 °C [-4 ... +140 °F] ■ -40 ... +60 °C [-40 ... +140 °F]¹⁾
Storage temperature range	-40 ... +70 °C [-4 ... 140 °F]
Pressure limitation	
Steady	Full scale value
Fluctuating	0.9 x full scale value
Ingress protection per IEC/EN 60529	<ul style="list-style-type: none"> ■ IP54 ■ IP65²⁾

1) Only selectable in combination with silicone oil case filling

2) Ingress protection IP65 for instruments with case filling

Other versions








- Version for hazardous areas (Ex h)
- Absolute pressure gauge with switch contacts; see data sheet PV 25.02
- Absolute pressure gauge with output signal; see data sheet PV 15.02
- Oil- and grease-free
- For oxygen, oil- and grease-free
- Silicone-free
- With pre-volume deflagration flame arrester¹⁾ for connection to zone 0 (EPL Ga); model 910.21; see data sheet AC 91.02

1) Only for instruments with Ex approval

Approvals

Logo	Description	Region
-	CRN Safety (e.g. electr. safety, overpressure, ...)	Canada

Optional approvals

Logo	Description	Region
	EU declaration of conformity	European Union
	ATEX directive Hazardous areas Gas II 2G h IIC T6 ... T1 Gb X Dust II 2D h IIC T85°C ... T450°C Db X	
	EAC Hazardous areas	Eurasian Economic Community
	Ex Ukraine Hazardous areas	Ukraine
	PAC Russia Metrology, measurement technology	Russia
	PAC Kazakhstan Metrology, measurement technology	Kazakhstan
-	MChS Permission for commissioning	Kazakhstan
	PAC Belarus Metrology, measurement technology	Belarus
-	PAC Ukraine Metrology, measurement technology	Ukraine
	PAC Uzbekistan Metrology, measurement technology	Uzbekistan
-	CPA Metrology, measurement technology	China

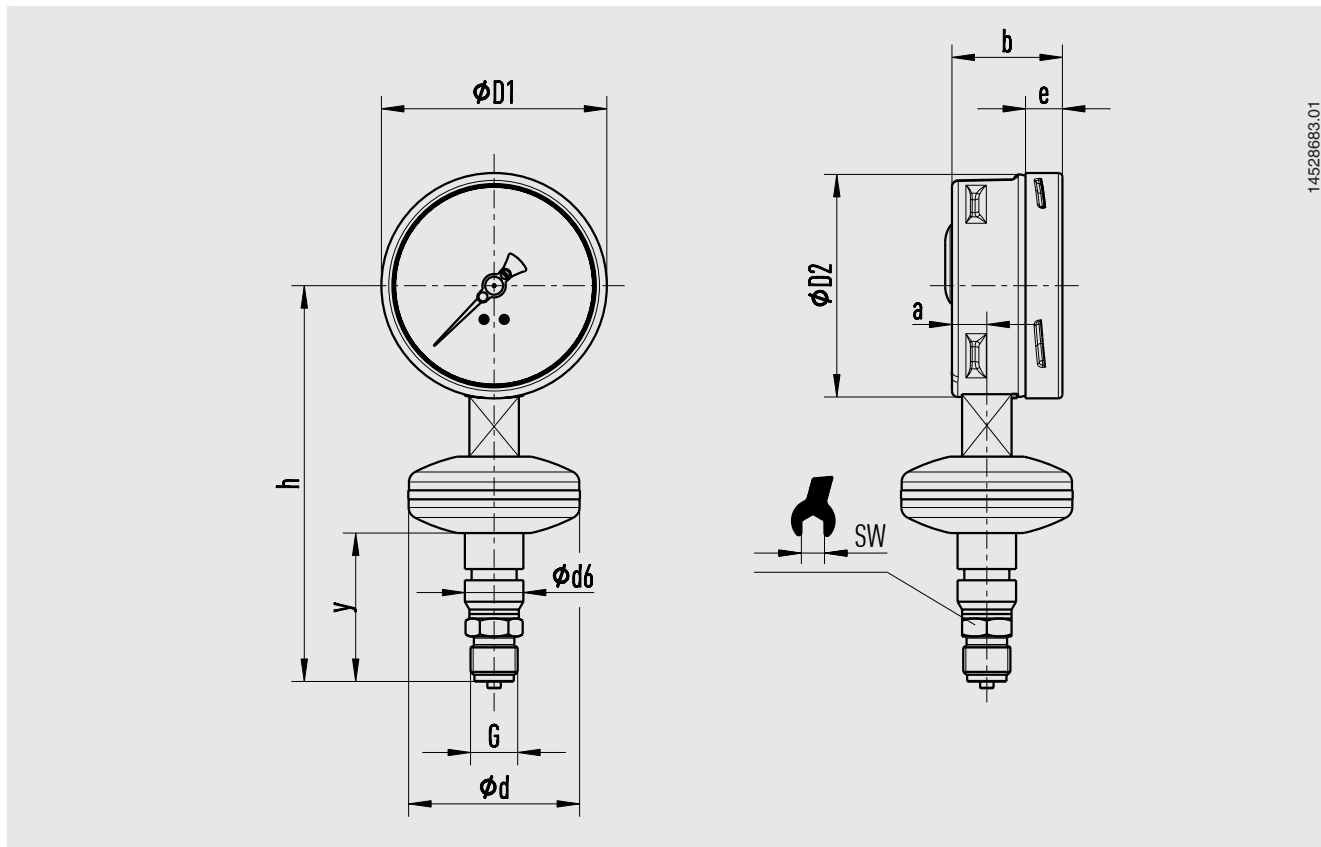
Certificates (option)

Certificates	
Certificates	<ul style="list-style-type: none"> ■ 2.2 test report per EN 10204 (e.g. state-of-the-art manufacturing, indication accuracy) ■ 3.1 inspection certificate per EN 10204 (e.g. material proof for wetted metal parts, indication accuracy)
Recommended recalibration interval	1 year (dependent on conditions of use)

For approvals and certificates, see website

Dimensions in mm [in]

Model 532.52, 532.53, 532.54, 533.52, 533.53 and 533.54



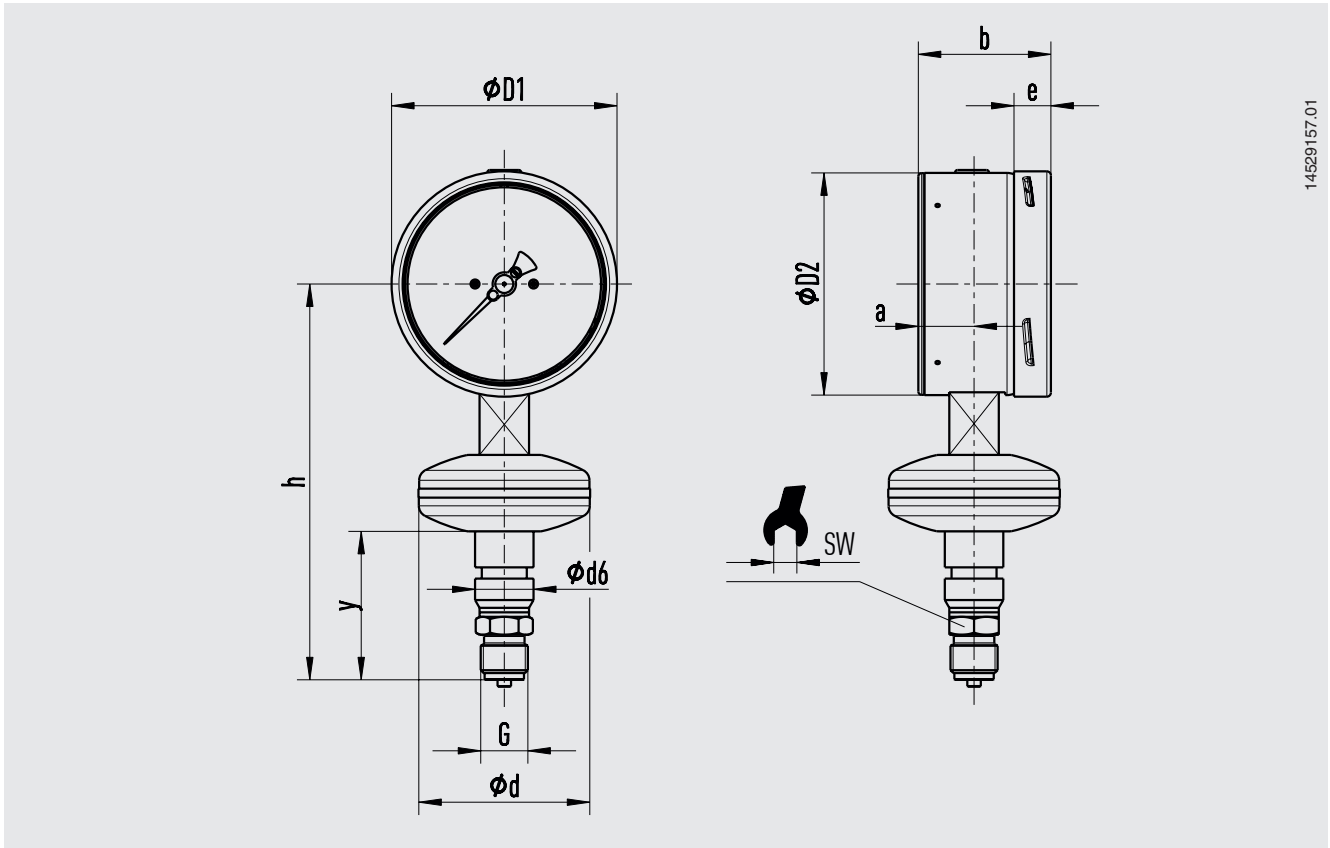
14528683.01

Nominal size 100 [4"]

Process connection G	Scale range	Dimensions in mm [in]										Weight in kg [lb]
		d	d6	a	b	D1	D2	e	$h \pm 1$ [0.04]	y	SW	
G ½ B	≤ 0.25 bar [3.63 psi]	133 [5.24]	26 [1.02]	15.5 [0.61]	49.5 [1.95]	101 [3.98]	99 [3.90]	17.5 [0.69]	185 [7.28]	58 [2.28]	22 [0.87]	1.8 [3.97]
	> 0.25 bar [3.63 psi]	76 [2.99]	26 [1.02]	15.5 [0.61]	49.5 [1.95]	101 [3.98]	99 [3.90]	17.5 [0.69]	177 [6.97]	66 [2.60]	22 [0.87]	1.2 [2.65]
½ NPT	≤ 0.25 bar [3.63 psi]	133 [5.24]	26 [1.02]	15.5 [0.61]	49.5 [1.95]	101 [3.98]	99 [3.90]	17.5 [0.69]	184 [7.24]	57 [2.24]	22 [0.87]	1.8 [3.97]
	> 0.25 bar [3.63 psi]	76 [2.99]	26 [1.02]	15.5 [0.61]	49.5 [1.95]	101 [3.98]	99 [3.90]	17.5 [0.69]	176 [6.93]	65 [2.56]	22 [0.87]	1.2 [2.65]

Nominal size 160 [6"]

Process connection G	Scale range	Dimensions in mm [in]										Weight in kg [lb]
		d	d6	a	b	D1	D2	e	$h \pm 1$ [0.04]	y	SW	
G ½ B	≤ 0.25 bar [3.63 psi]	133 [5.24]	26 [1.02]	15.5 [0.61]	49.5 [1.95]	161 [6.34]	159 [6.26]	17.5 [0.69]	215 [8.46]	58 [2.28]	22 [0.87]	2.3 [5.07]
	> 0.25 bar [3.63 psi]	76 [2.99]	26 [1.02]	15.5 [0.61]	49.5 [1.95]	161 [6.34]	159 [6.26]	17.5 [0.69]	207 [8.15]	66 [2.60]	22 [0.87]	1.6 [3.53]
½ NPT	≤ 0.25 bar [3.63 psi]	133 [5.24]	26 [1.02]	15.5 [0.61]	49.5 [1.95]	161 [6.34]	159 [6.26]	17.5 [0.69]	214 [8.43]	57 [2.24]	22 [0.87]	2.3 [5.07]
	> 0.25 bar [3.63 psi]	76 [2.99]	26 [1.02]	15.5 [0.61]	49.5 [1.95]	161 [6.34]	159 [6.26]	17.5 [0.69]	206 [8.11]	65 [2.56]	22 [0.87]	1.6 [3.53]



14529157.01

Nominal size 100 [4"]

Process connection G	Scale range	Dimensions in mm [in]										Weight in kg [lb]
		d	d6	a	b	D1	D2	e	h ± 1 [0.04]	y	SW	
G ½ B	≤ 0.25 bar [3.63 psi]	133 [5.24]	26 [1.02]	24.5 [0.96]	59 [2.32]	101 [3.98]	99 [3.90]	17.5 [0.69]	185 [7.28]	58 [2.28]	22 [0.87]	1.8 [3.97]
	> 0.25 bar [3.63 psi]	76 [2.99]	26 [1.02]	24.5 [0.96]	59 [2.32]	101 [3.98]	99 [3.90]	17.5 [0.69]	177 [6.97]	66 [2.60]	22 [0.87]	1.2 [2.65]
½ NPT	≤ 0.25 bar [3.63 psi]	133 [5.24]	26 [1.02]	24.5 [0.96]	59 [2.32]	101 [3.98]	99 [3.90]	17.5 [0.69]	184 [7.24]	57 [2.24]	22 [0.87]	1.8 [3.97]
	> 0.25 bar [3.63 psi]	76 [2.99]	26 [1.02]	24.5 [0.96]	59 [2.32]	101 [3.98]	99 [3.90]	17.5 [0.69]	176 [6.93]	65 [2.56]	22 [0.87]	1.2 [2.65]

Nominal size 160 [6"]

Process connection G	Scale range	Dimensions in mm [in]										Weight in kg [lb]
		d	d6	a	b	D1	D2	e	h ± 1 [0.04]	y	SW	
G ½ B	≤ 0.25 bar [3.63 psi]	133 [5.24]	26 [1.02]	27 [1.06]	65 [2.56]	161 [6.34]	159 [6.26]	17.5 [0.69]	215 [8.46]	58 [2.28]	22 [0.87]	2.3 [5.07]
	> 0.25 bar [3.63 psi]	76 [2.99]	26 [1.02]	27 [1.06]	65 [2.56]	161 [6.34]	159 [6.26]	17.5 [0.69]	207 [8.15]	66 [2.60]	22 [0.87]	1.6 [3.53]
½ NPT	≤ 0.25 bar [3.63 psi]	133 [5.24]	26 [1.02]	27 [1.06]	65 [2.56]	161 [6.34]	159 [6.26]	17.5 [0.69]	214 [8.43]	57 [2.24]	22 [0.87]	2.3 [5.07]
	> 0.25 bar [3.63 psi]	76 [2.99]	26 [1.02]	27 [1.06]	65 [2.56]	161 [6.34]	159 [6.26]	17.5 [0.69]	206 [8.11]	65 [2.56]	22 [0.87]	1.6 [3.53]

Accessories and spare parts

Model	Description	Order number
	910.33 Adhesive label set for red and green circular arcs → See data sheet AC 08.03	-
	NS 100 [4"]	14238945
	NS 160 [6"]	14228352
	910.17 Sealings → See data sheet AC 09.08	On request
	910.14 Connection adapters for pressure measuring instruments → See data sheet AC 09.05	On request
	910.15 Syphons → See data sheet AC 09.06	On request
	910.13 Overpressure protector → See data sheet AC 09.04	On request
	IV20, IV21 Block-and-bleed valve → See data sheet AC 09.19	On request
	IBF2, IBF3 Monoblock with flange connection → See data sheet AC 09.25	On request
	910.16 Mounting parts for wall and pipe mounting Instrument mounting bracket and adapter piece → See data sheet AC 09.07	On request

Ordering information

Model / Nominal size / Scale range / Process connection / Options

© 08/2009 WIKA Alexander Wiegand SE & Co. KG, all rights reserved.
The specifications given in this document represent the state of engineering at the time of publishing.
We reserve the right to make modifications to the specifications and materials.

WIKA data sheet PM 05.02 · 12/2021

Page 9 of 9

Your WIKA Sales Partner



ICS Schneider Messtechnik GmbH
Briesestrasse 59
D-16562 Hohen Neuendorf / OT Bergfelde
Tel.: +49 3303 5040-66
Fax: +49 3303 5040-68
E-Mail: info@ics-schneider.de



WIKAL Alexander Wiegand SE & Co. KG
Alexander-Wiegand-Straße 30
63911 Klingenberg/Germany
Tel. +49 9372 132-0
Fax +49 9372 132-406
info@wika.de
www.wika.de