

## Capsule pressure gauge, copper alloy or stainless steel Edgewise panel design Models 614.11, 634.11

WIKA data sheet PM 06.05



for further approvals  
see page 4

### Applications

- For gaseous, dry and non-aggressive media that will not attack copper alloy parts
- Model 614.11: Measuring system copper alloy  
Model 634.11: Measuring system stainless steel, also for aggressive media

### Special features

- Low scale ranges from 0 ... 2.5 mbar
- Panel mounting
- Zero point setting in front



Capsule pressure gauge, edgewise panel design,  
model 614.11

### Description

The model 614.11 and 634.11 capsule pressure gauges are based upon the proven capsule measuring system. The capsule measuring principle is particularly suitable for low pressures. On pressurisation, the expansion of the capsule element, proportional to the incident pressure, is transmitted to the movement and indicated.

The modular design enables a multitude of combinations of case materials, process connections, nominal sizes and scale ranges. Due to this high variance, regarding design and back mount connection, the instrument is suitable for panel mounting in a wide range of applications.

## Standard version

### Design

DIN 43700

### Nominal size in mm

72 x 72, 96 x 96, 144 x 144 and 144 x 72

### Accuracy class

1.6

### Pressure limitation

Steady: Full scale value

Fluctuating: 0.9 x full scale value

### Permissible temperature

Ambient: -20 ... +60 °C

Medium: +100 °C maximum

### Temperature effect

When the temperature of the measuring system deviates from the reference temperature (+20 °C): max.  $\pm 0.6\%$  / 10 K of full scale value

### Scale ranges

NS	Scale ranges in mbar	
	Model 614.11	Model 634.11
72 x 72	0 ... 25 to 0 ... 600	0 ... 40 to 0 ... 600
96 x 96	0 ... 10 to 0 ... 600	0 ... 40 to 0 ... 600
144 x 144	0 ... 6 to 0 ... 600	-
144 x 72	0 ... 4 to 0 ... 600	0 ... 2.5 to 0 ... 600

or all other equivalent vacuum or combined pressure and vacuum ranges

### Ingress protection per IEC/EN 60529

IP42

### Process connection

Model 614.11: Copper alloy

Model 634.11: Stainless steel

Back mount

NS 72 x 72 and 96 x 96: G ¼ B (male), SW 14

NS 144 x 144: G ½ B (male), SW 22

NS 144 x 72: G ½ B (male), SW 17

### Pressure element

Model 614.11: Copper alloy

Model 634.11: Stainless steel

### Sealing

Model 614.11: NBR

Model 634.11: Viton®

Viton® fluoroelastomer is a registered trademark of

DuPont Performance Elastomers.

### Movement

Copper alloy, wear parts argentan, with zero adjustment

### Dial

Aluminium, white, black lettering

### Pointer

Aluminium, black

### Case (DIN 43700)

NS 72 x 72, 96 x 96, 144 x 144: Steel, galvanised

NS 144 x 72: Steel, black

### Window

NS 144 x 72: Instrument glass

NS 72 x 72, 96 x 96 and 144 x 144: Clear non-splintering plastic

### Panel frame (DIN 43718)

Steel, black, narrow, snap-fit

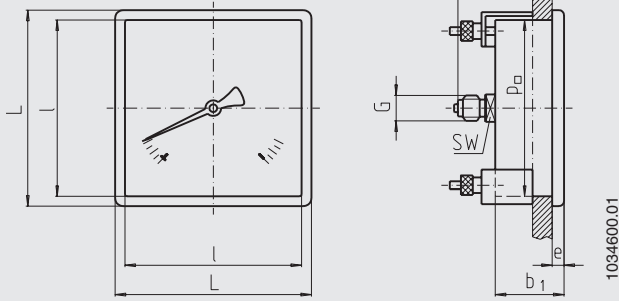
## Options

- Other process connection
- Sealings (model 910.17, see data sheet AC 09.08)
- Overload or vacuum safety with  
scale ranges < 40 mbar: 3 x full scale value  
scale ranges  $\geq$  40 mbar: 10 x full scale value
- Wide panel frame

# Dimensions in mm

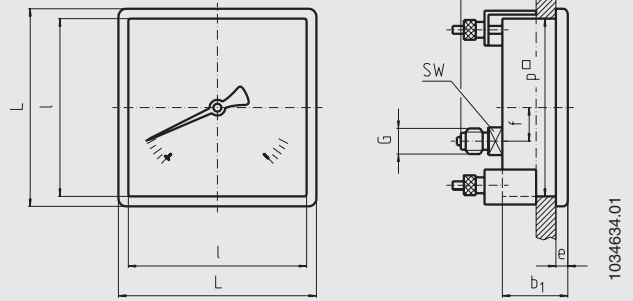
## Standard version

NS 72 x 72 and 96 x 96,  
centre back mount



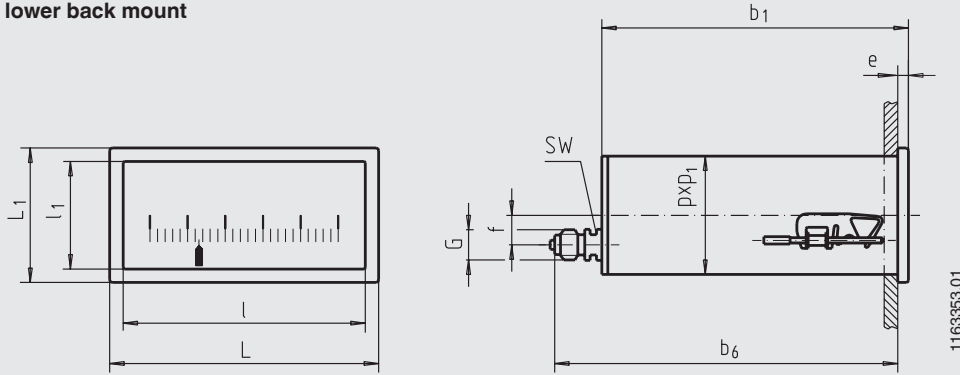
1034600.01

NS 144 x 144,  
lower back mount



1034634.01

NS 144 x 72,  
lower back mount








1163353.01

NS	Dimensions in mm												Weight in kg
	b <sub>1</sub>	b <sub>6</sub>	e	f	G	L	L <sub>1</sub>	l	l <sub>1</sub>	p x p <sub>1</sub>	p□	SW	
72 x 72	36.5	50	6	-	G ¼ B	72	-	62	-	-	66	14	0.30
96 x 96	39	50	6	-	G ¼ B	96	-	79	-	-	88.5	14	0.40
144 x 144	46.5	71.5	8	30	G ½ B	144	-	134	-	-	136	22	0.90
144 x 72	168	197	8	18	G ½ B	144	72	134	62	138 x 67	-	17	1.60

Process connection per EN 837-3 / 7.3

## Approvals

Logo	Description	Country
	<b>GOST (option)</b> Metrology, measurement technology	Russia
	<b>KazInMetr (option)</b> Metrology, measurement technology	Kazakhstan
-	<b>MTSCHS (option)</b> Permission for commissioning	Kazakhstan
	<b>BelGIM (option)</b> Metrology, measurement technology	Belarus
	<b>UkrSEPRO (option)</b> Metrology, measurement technology	Ukraine
	<b>Uzstandard (option)</b> Metrology, measurement technology	Uzbekistan
-	<b>CPA (option)</b> Metrology, measurement technology	China

## Certificates (option)

- 2.2 test report
- 3.1 inspection certificate

Approvals and certificates, see website

## Ordering information

Model / Nominal size / Scale range / Connection size / Connection location / Options

© 05/2008 WIKA Alexander Wiegand SE & Co. KG, all rights reserved.  
The specifications given in this document represent the state of engineering at the time of publishing.  
We reserve the right to make modifications to the specifications and materials.

WIKA data sheet PM 06.05 · 04/2021

Page 4 of 4

Your WIKA Sales Partner



**ICS Schneider Messtechnik GmbH**  
Briesestrasse 59  
D-16562 Hohen Neuendorf / OT Bergfelde  
Tel.: +49 3303 5040-66  
Fax: +49 3303 5040-68  
E-Mail: [info@ics-schneider.de](mailto:info@ics-schneider.de)



**WIKA Alexander Wiegand SE & Co. KG**  
Alexander-Wiegand-Straße 30  
63911 Klingenberg/Germany  
Tel. +49 9372 132-0  
Fax +49 9372 132-406  
[info@wika.de](mailto:info@wika.de)  
[www.wika.com](http://www.wika.com)