

Differential pressure gauge with Bourdon tube, parallel entry

Measuring system stainless steel

Models 732.18, 733.18

WIKA data sheet PM 07.03

Applications

- Measurement of differential pressures or of two different pressures applied in refrigeration plants or compressors
- Simultaneous measurement of the vapour pressure and the resulting vapour temperature
- For gaseous and liquid aggressive media that are not highly viscous or crystallising, also in aggressive ambience

Special features

- Differential pressure with moving dial
- Design optionally with duplex scale
- With liquid-filled case for damping in applications with high dynamic pressure loads or vibrations and for avoiding condensation water ¹⁾
- Combined pressure and temperature scales, as duplex, triplex or quadruple scales for all common refrigerants

Description

Design

Two independent measuring systems, parallel entries in line

Nominal size in mm

80, 100

Accuracy class

1.6

Scale ranges

0 ... 2.5 to 0 ... 60 bar	-1 ... 0 ... +25 bar
-1 ... 0 ... +12 bar	-1 ... 0 ... +30 bar
-1 ... 0 ... +15 bar	-1 ... 0 ... +35 bar
-1 ... 0 ... +16 bar	-1 ... 0 ... +40 bar

Other scale ranges on request

In order to ensure a good readability, the differential pressure should be no less than 1/6 of the full scale value.

¹⁾ Model 733.18



Differential pressure gauge model 733.18 with temperature scales and oil pressure display for refrigeration technology

When ordering state both pressures:

a) maximum total pressure applied, b) differential pressure

Pressure limitation

Steady: Full scale value
Fluctuating: 0.9 x full scale value
Short time: 1.3 x full scale value

Permissible temperature

Ambient: 0 ... +60 °C
Medium: +100 °C maximum

Temperature effect

When the temperature of the measuring system deviates from the reference temperature (+20 °C):
max. $\pm 0.4\%$ / 10 K of full scale value

Standard version

Process connection

Stainless steel,
lower mount (LM) or back mount (BM),
2 x G 3/8 B (male), 19 mm flats,
plus connection (HP) and minus connection (LP) identified at
the gauge

Pressure elements

Stainless steel, welded

Movement

Copper alloy, wear parts argentan

Dial

Aluminium, white, black lettering

Pointer

1 standard pointer: Aluminium, black
1 scale pointer: Aluminium, white
scaled $\pm 50\%$ of main scale range as
 \oplus and \ominus differential pressure indication

Case

Stainless steel

Window

Polycarbonate

Bezel ring

Crimp ring, glossy finish stainless steel

Filling liquid (for model 733.18)

Glycerine 99.7 %

Ingress protection

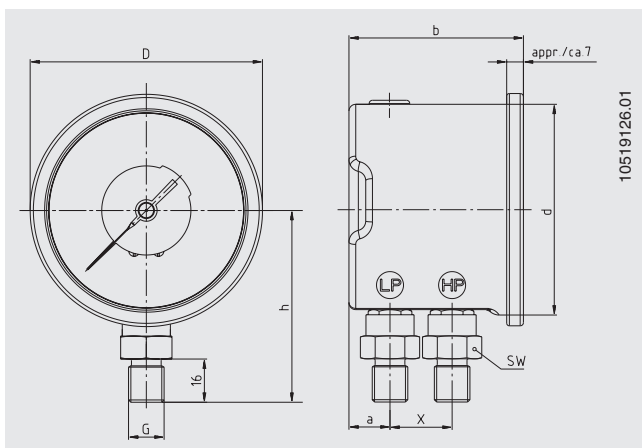
IP 65 per EN 60529 / IEC 529

Options

- Other process connections: 2 X G 1/4 B, 7/16-20UNF (1/4 Flare), M12 X 1.5 for 6 mm, (others on request)
- Sealings (model 910.17, see data sheet AC 09.08)
- Design with duplex scale ("duplex pressure gauge")
- Panel (only for NS 100) or surface mounting flange
- Panel frame 88 x 88 mm
- Mounting clamp for panel mounting
- Ingress protection IP 66 (only for case filling)

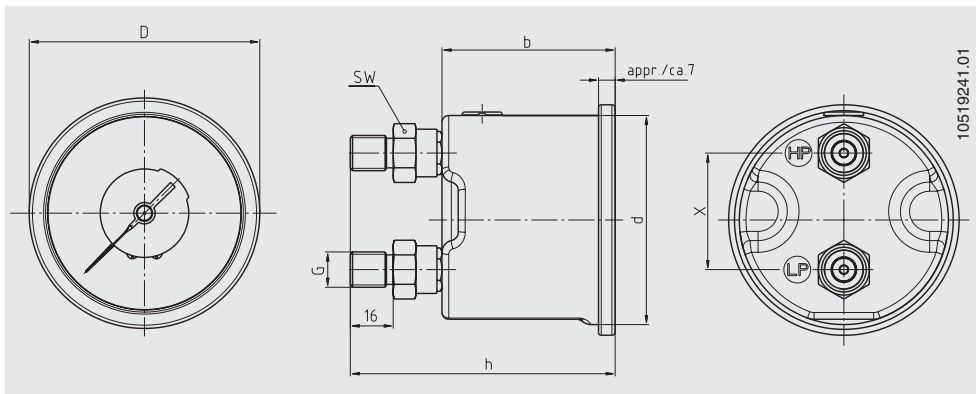
Dimensions in mm

Lower mount (LM) (NS 80 and 100)



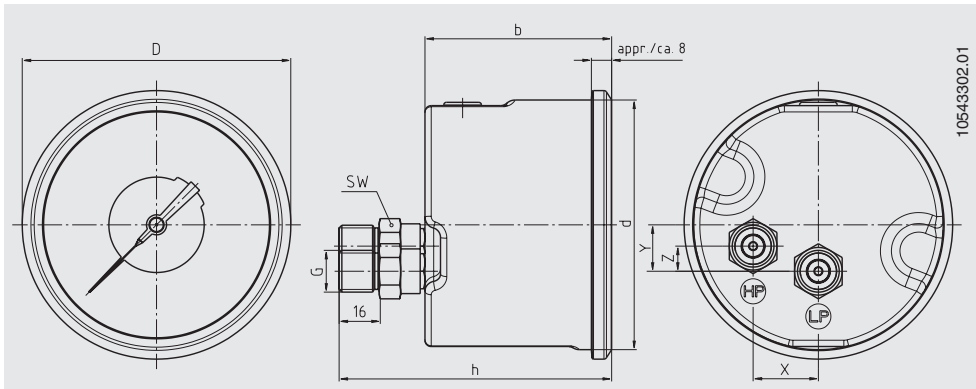
NS	Dimensions in mm								Weight in kg
	a	b	d	D	G	h ±1	X	SW	
80	15	64.5	78	86	G 3/8 B	71	23	19	0.49
100	16	74	99.5	107	G 3/8 B	83	26.5	19	0.65

Back mount (BM) (NS 80)



NS	Dimensions in mm							SW	Weight in kg
	b	d	D	G	h ± 1	X			
80	64.5	78	86	G 3/8 B	99	43.5	19	0.53	

Back mount (BM) (NS 100)



NS	Dimensions in mm							SW	Weight in kg	
	b	d	D	G	h ± 1	X	Y			Z
100	74	99.5	107	G 3/8 B	109	26	18.5	10	19	0.71

Ordering information

Model / Nominal size / Scale range / Lettering / Differential pressure or duplex scale / Connection size / Connection location / max. total pressure applied / Differential pressure span / Options

© 2010 WIKA Alexander Wiegand SE & Co. KG, all rights reserved.
The specifications given in this document represent the state of engineering at the time of publishing.
We reserve the right to make modifications to the specifications and materials.

WIKA data sheet PM 07.03 · 02/2012

Page 3 of 3

Your WIKA Sales Partner



ICS Schneider Messtechnik GmbH
Briesestrasse 59
D-16562 Hohen Neuendorf / OT Bergfelde
Tel.: +49 3303 5040-66
Fax: +49 3303 5040-68
E-Mail: info@ics-schneider.de



WIKAL Alexander Wiegand SE & Co. KG
Alexander-Wiegand-Straße 30
63911 Klingenberg/Germany
Tel. (+49) 9372/132-0
Fax (+49) 9372/132-406
E-mail info@wika.de
www.wika.de