

Differential pressure gauge

For very low differential pressures from 2.5 mbar

Models 716.11 and 736.11, copper alloy and stainless steel

WIKA data sheet PM 07.07



for further approvals
see page 3

Applications

- Differential pressure measurement at measuring points with very low differential pressures, for gaseous, dry, clean, oil and grease free media
- Model 736.11 also for aggressive media and ambience
- Filter monitoring in ventilation and heating systems
- Filter monitoring in overpressure and clean rooms
- Differential pressure controlled monitoring of ventilator and blast pressures

Special features

- Differential pressure measuring ranges from 0 ... 2.5 mbar
- As a standard zero adjustment in front
- Ingress protection IP66
- Case from stainless steel



Differential pressure gauge model 716.11

Description

Design

For very low differential pressures, DT - GM 87 10 226

Nominal size in mm

100, 160

Accuracy class

1.6

Scale ranges

Model 716.11: NS 100: 0 ... 10 to 0 ... 250 mbar
 NS 160: 0 ... 6 to 0 ... 250 mbar
 Model 736.11: NS 100: 0 ... 25 to 0 ... 250 mbar
 NS 160: 0 ... 2.5 to 0 ... 250 mbar

or all other equivalent vacuum or combined pressure and vacuum ranges

Pressure limitation

Steady: Full scale value

Fluctuating: 0.9 x full scale value

Overload safety

Full scale value

Max. working pressure (static pressure)

250 mbar

Permissible temperature

Ambient: -20 ... +60 °C

Medium: +70 °C maximum

Temperature effect

When the temperature of the measuring system deviates from the reference temperature (+20 °C): max. ±0.5 % / 10 K of full scale value

Ingress protection

IP66 per IEC/EN 60529

Design and operating principle

- Pressure retaining case with capsule measuring element,
⊕ pressure is retained in capsule element
⊖ pressure is retained in case
- Pressure differential between ⊕ and ⊖ side deflects the capsule element
- The deflection is transmitted to the movement and indicated

Mounting according to affixed symbols, ⊕ high pressure and ⊖ low pressure

Mounting by means of:

- Rigid measuring lines
- Panel or surface mounting flange (option)
- Mounting bracket for wall or pipe mounting (option)

Standard version

Process connection (wetted)

Model 716.11: Copper alloy

Model 736.11: Stainless steel

Lower mount (radial), parallel in line

2 x G ½ B (male), SW 22

Pressure element (wetted)

Model 716.11: Copper alloy

Model 736.11: Stainless steel

Movement (wetted)

Model 716.11: Copper alloy

Model 736.11: Stainless steel

Dial (wetted)

Aluminium, white, black lettering

Pointer (wetted)

Aluminium, black

Zero adjustment (wetted)

Adjustment appliance for screwdriver in front

Case (wetted)

Stainless steel, pressure retaining

With blow-out device PUR

Window (wetted)

Clear non-splintering plastic

Sealings (wetted)

NBR, silicone







Bezel ring

Bayonet ring, stainless steel

Options

- Other process connection
- Sealings (model 910.17, see data sheet AC 09.08)
- Panel or surface mounting flange
- Mounting bracket for wall or pipe mounting (model 910.16, see data sheet AC 09.07)
- Valve manifolds (models IV3x, IV5x, see data sheet AC 09.23)
- Back mount
- Overload safety
 - ⊕ side with scale ranges
 - 0 ... 2.5 mbar to 0 ... 25 mbar: 3 x full scale value
 - ≥ 0 ... 40 mbar: To maximum working pressure
 - ⊖ side: On request

Approvals

Logo	Description	Country
	EAC (option) Pressure equipment directive	Eurasian Economic Community
	GOST Metrology, measurement technology	Russia
	KazInMetr (option) Metrology, measurement technology	Kazakhstan
-	MTSCHS (option) Permission for commissioning	Kazakhstan
	BelGIM (option) Metrology, measurement technology	Belarus
	UkrSEPRO (option) Metrology, measurement technology	Ukraine
	Uzstandard (option) Metrology, measurement technology	Uzbekistan
-	CPA Metrology, measurement technology	China
-	CRN Safety (e.g. electr. safety, overpressure, ...)	Canada

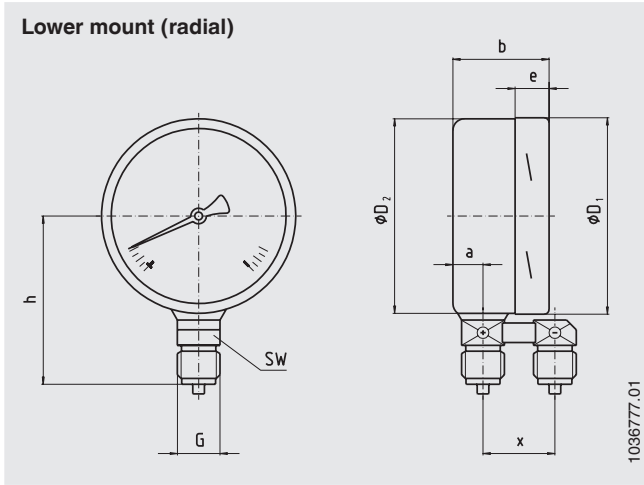
Certificates (option)

- 2.2 test report
- 3.1 inspection certificate

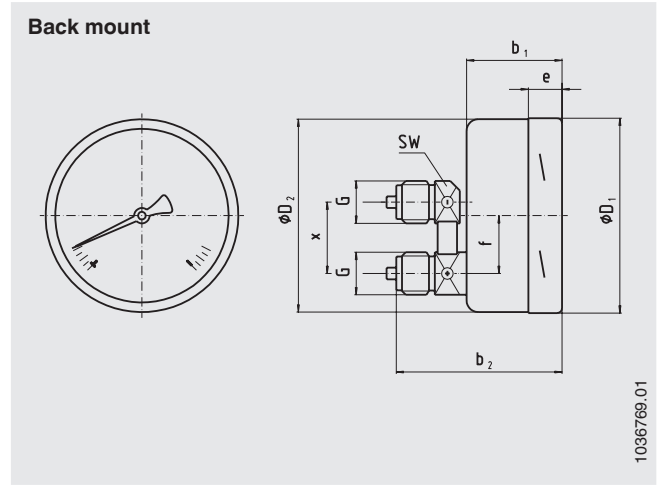
Approvals and certificates, see website

Dimensions in mm

Standard version



Option



NS	Dimensions in mm												Weight in kg
	a	b	b ₁	b ₂	D ₁	D ₂	e	f	G	h ±1	X	SW	
100	15.5	48.5	49.5	84	101	99	17.5	30	2 x G ½ B	87	37	22	0.73
160	15.5	48.5	51.5	87	161	159	17.5	50	2 x G ½ B	118	37	22	1.33

Process connection per EN 837-3 / 7.3

Ordering information

Model / Nominal size / Scale range / Max. working pressure (static pressure) ... mbar / Connection size / Connection location / Options

© 03/2008 WIKA Alexander Wiegand SE & Co. KG, all rights reserved.
The specifications given in this document represent the state of engineering at the time of publishing.
We reserve the right to make modifications to the specifications and materials.

WIKA data sheet PM 07.07 · 05/2018

Page 4 of 4

Your WIKA Sales Partner



ICS Schneider Messtechnik GmbH
Briesestrasse 59
D-16562 Hohen Neuendorf / OT Bergfelde
Tel.: +49 3303 5040-66
Fax: +49 3303 5040-68
E-Mail: info@ics-schneider.de



WIKAL Alexander Wiegand SE & Co. KG
Alexander-Wiegand-Straße 30
63911 Klingenberg/Germany
Tel. +49 9372 132-0
Fax +49 9372 132-406
info@wika.de
www.wika.de