

## Diaphragm pressure gauge with switch contacts

### Model 432.56, high overload safety up to 100 bar

### Model 432.36, safety version, high overload safety up to 400 bar

WIKA data sheet PV 24.07



for further approvals  
see page 9

**switchGAUGE**

### Applications

- Control and regulation of processes at measuring points with increased overload and scale ranges from 0 ... 25 mbar
- Monitoring of plants and switching of circuits
- For gaseous and liquid, aggressive and highly viscous or contaminated media, also in aggressive environments
- Process industry: Chemical industry, petrochemical industry, power plants, mining, on-/offshore, environmental technology, machine building and general plant construction

### Special features

- High overload safety, optionally up to 40, 100 or 400 bar, due to the metallic pressure element limit stop, without liquid-filled measuring cell
- Wide choice of special materials
- Also available with liquid-filled case for high dynamic pressure loads or vibrations
- Instruments with inductive contacts for use in hazardous areas
- Instruments with switch contact for PLC applications

### Description

Wherever the process pressure has to be indicated locally and, at the same time, circuits need to be switched, the model 432.56 or 432.36 switchGAUGE finds its use. Switch contacts (electrical alarm contacts) make or break circuits dependent upon the pointer position of the indicating measuring instruments. The switch contacts are adjustable over the full extent of the scale range (see DIN 16085), and are mounted predominantly below the dial, though also partly on top of the dial. The instrument pointer (actual value pointer) moves freely across the entire scale range, independent of the setting. The set pointer can be adjusted using a removable adjustment key in the window.



**Diaphragm pressure gauge with switch contacts, model 432.56.100, high overload safety up to 40 bar**

Switch contacts consisting of several contacts can also be set to a single set point. Contact actuation is made when the actual value pointer travels beyond or below the desired set point.

The pressure gauge is manufactured in accordance with DIN 16085 and fulfils all requirements of the relevant standards (EN 837-3) and regulations for the on-site display of the working pressure of pressure vessels. As switch contacts, magnetic snap-action contacts, reed switches, inductive contacts and electronic contacts are available. Inductive contacts can be used in hazardous areas.

## Specifications

Model 432.56 and model 432.36	
Nominal size in mm	<ul style="list-style-type: none"> <li>■ 100</li> <li>■ 160</li> </ul>
Accuracy class	1.6 <sup>1)</sup> Option: 1.0 <sup>2)</sup>
Scale ranges <sup>3)</sup>	0 ... 25 mbar to 0 ... 250 mbar (flange Ø 160 mm) 0 ... 400 mbar to 0 ... 40 bar (flange Ø 100 mm) other units (e.g. psi, kPa) available or all other equivalent vacuum or combined pressure and vacuum ranges
Scale	Single scale Option: Dual scale
Pressure limitation	
Steady	Full scale value
Fluctuating	0.9 x full scale value
Overload safety <sup>3)</sup>	<ul style="list-style-type: none"> <li>■ 40 bar</li> <li>■ 100 bar</li> <li>■ 400 bar (only for scale ranges <math>\geq 0 \dots 400</math> mbar <sup>4)</sup>)</li> </ul> Option: Vacuum safety to -1 bar
Process connection with lower measuring flange	<ul style="list-style-type: none"> <li>■ G ½ B</li> <li>■ ½ NPT</li> <li>■ ½ NPT female</li> <li>■ Open connecting flange DN 25 PN 40 per EN 1092-1, form B</li> <li>■ Open connecting flange DN 50 PN 40 per EN 1092-1, form B</li> <li>■ Open connecting flange 1" class 300, RF per ASME B16.5</li> <li>■ Open connecting flange 2" class 300, RF per ASME B16.5</li> </ul> and other threaded connections and open connecting flanges per EN/ASME from DN 15 to DN 80 (see data sheet IN 00.10)
Permissible temperature <sup>5)</sup>	
Medium	+100 °C [+212 °F] maximum Option: +200 °C [+392 °F] maximum
Ambient	-20 ... +60 °C [-4 ... +140 °F]
Temperature effect	When the temperature of the measuring system deviates from the reference temperature (+20 °C): max. $\pm 0.8 \%$ /10 K of full scale value
Case	<ul style="list-style-type: none"> <li>■ Model 432.56: Version S1 per EN 837: With blow-out device in case back</li> <li>■ Model 432.36: Safety version S3 per EN 837: With solid baffle wall (Solidfront) and blow-out back</li> </ul> Instruments with liquid filling with compensating valve to vent case
Case filling	Without Option: With silicone oil M50 case filling, ingress protection IP65 (models 433.56, 433.36)

1) Accuracy class 2.5 with smallest scale range. Depending on the built-in contact model, 0 ... 25 mbar or 0 ... 40 mbar.

2) Application test required

3) Depending on scale range and overload safety, different flange Ø apply. See dimensions from page 5.

4) 400 bar overload safety for scale ranges < 400 mbar on request

5) For hazardous areas, the permissible temperature of the contact model 831 will exclusively apply (see page 5). These must not be exceeded at the instrument either (for details see operating instructions). If necessary, measures for cooling (e.g. syphon, instrumentation valve, etc.) have to be taken.

**Model 432.56 and model 432.36**

<b>Wetted materials</b>	
Diaphragm element (pressure element)	≤ 0.25 bar: Stainless steel 316L > 0.25 bar: NiCr alloy (Inconel) Option: Coated with special materials such as PTFE, Hastelloy, Monel, nickel, tantalum, titanium, silver (instruments with accuracy class 2.5)
Process connection with lower measuring flange	Stainless steel 316L Option: Lined/coated with special materials such as PTFE, Hastelloy, Monel, nickel, tantalum, titanium, silver
Pressure chamber sealing	FPM/FKM
<b>Non-wetted materials</b>	
Case with upper measuring flange and flange connecting screws, movement, bayonet ring	Stainless steel
Dial	Aluminium, white, black lettering
Instrument pointer	Aluminium, black
Set pointer	Aluminium, red
Window	Laminated safety glass
<b>Ingress protection per IEC/EN 60529</b>	IP54 Option: IP65
<b>Electrical connection</b>	Cable socket PA 6, black Per VDE 0110 insulation group C/250 V Cable gland M20 x 1.5 Strain relief 6 screw terminals + PE for conductor cross-section 2.5 mm <sup>2</sup> For dimensions see page 10 others on request

## Switch contacts

### Magnetic snap-action contact model 821

- No control unit and no supply voltage required
- Direct switching up to 250 V, 1 A
- Up to 4 switch contacts per measuring instrument

### Inductive contact model 831

- Suitable for use in hazardous areas with corresponding control unit (model 904.xx)
- Long service life due to non-contact sensor
- Low influence on the indication accuracy
- Fail-safe switching at high switching frequency
- Insensitive to corrosion
- Also available in safety version
- Up to 3 switch contacts per measuring instrument

### Electronic contact model 830 E

- For direct triggering of a programmable logic controller (PLC)
- 2-wire system (option: 3-wire system)
- Long service life due to non-contact sensor
- Low influence on the indication accuracy
- Fail-safe switching at high switching frequency
- Insensitive to corrosion
- Up to 3 switch contacts per measuring instrument

## Other versions

- Contact model 821 with separate circuits
- Contact model 821 as change-over contact (break or make simultaneously at the set point)
- Contact model 821 with cable break monitoring (parallel resistance 47 k $\Omega$  and 100 k $\Omega$ )
- Contact materials for contact model 821: Platinum-iridium alloy and gold-silver alloy

### Reed switch model 851

- No control unit and no supply voltage required
- Direct switching up to 250 V, 1 A
- For direct triggering of a programmable logic controller (PLC)
- Free from wear as without contact
- NS 100: Up to two change-over contacts per measuring instrument  
NS 160: Up to one change-over contact per measuring instrument (switching voltages AC < 50 V and DC < 75 V, switch contact not adjustable from outside)

### Switching function

The switching function of the switch is indicated by index 1, 2 or 3

Model Normally open (clockwise pointer motion)

8xx.1:

Model Normally closed (clockwise pointer motion)

8xx.2:

Models Change-over; one contact breaks and one  
821.3 and contact makes simultaneously when pointer  
851.3: reaches set point

For further information on switch contacts, see data sheet AC 08.01

- Contacts fixed, without contact adjustment lock
- Contact adjustment lock leaded
- Contact adjustment key fixed
- Connector (instead of cable socket)

## Specifications for instruments with magnetic snap-action contact model 821

Measuring span <sup>1)</sup>	Max. number of contacts	Switching current range I	Switch version <sup>2)</sup>
≥ 25 mbar	2	0.02 ... 0.3 A	L
≥ 40 mbar	4	0.02 ... 0.3 A	L

1) Accuracy class 2.5 for scale range 0 ... 25 mbar and for scale range 0 ... 40 mbar with 3 or 4 contacts

2) Design of the contact coil: Version "L" = light-weight

The recommended setting range of the contacts is 25 ... 75 % of the scale (0 ... 100 % on request).  
Contact material (standard): Silver-nickel, gold-plated

### Setting the contacts

The recommended minimum clearance between 2 contacts is 20 % of the measuring span.  
The switch hysteresis is 2 ... 5 % (typical).

Characteristics	Unfilled instruments	Filled instruments
	Resistive load	
Rated operating voltage $U_{eff}$	≤ 250 V	≤ 250 V
Rated operating current		
Switch-on current	≤ 0.5 A	≤ 0.5 A
Switch-off current	≤ 0.5 A	≤ 0.5 A
Continuous current	≤ 0.3 A	≤ 0.3 A
Switching power	≤ 30 W / ≤ 50 VA	≤ 20 W / ≤ 20 VA

### Recommended contact load with resistive and inductive loads

Operating voltage	Unfilled instruments			Filled instruments		
	Resistive load		Inductive load	Resistive load		Inductive load
	Direct current	Alter-nating current	cos φ > 0.7	Direct current	Alter-nating current	cos φ > 0.7
DC 220 V / AC 230 V	100 mA	120 mA	65 mA	65 mA	90 mA	40 mA
DC 110 V / AC 110 V	200 mA	240 mA	130 mA	130 mA	180 mA	85 mA
DC 48 V / AC 48 V	300 mA	450 mA	200 mA	190 mA	330 mA	130 mA
DC 24 V / AC 24 V	400 mA	600 mA	250 mA	250 mA	450 mA	150 mA

## Specifications for instruments with inductive contact model 831

Measuring span <sup>1)</sup>	Max. number of contacts
≥ 25 mbar	3

1) Accuracy class 2.5 for scale range 0 ... 25 mbar

The recommended setting range of the contacts is 10 ... 90 % of the scale (0 ... 100 % on request).

### Setting of contacts to identical set point

Up to 2 contacts can be set to an identical set point. For a version with 3 contacts this is not possible. The left (no. 1) or right (no. 3) contact may not be set to the same set point as the other 2 contacts. The required displacement is approx. 30°, optionally to the right or to the left.

### Available contact versions

- 831-N
- 831-SN, safety version <sup>1)</sup>
- 831-S1N, safety version <sup>1)</sup>, inverted signal

1) only operate with a corresponding isolating amplifier (model 904.3x)

### Permissible temperature ranges

T6	T5 ... T1	T135°C
-20 ... +60 °C	-20 ... +70 °C	-20 ... +70 °C

For further information on hazardous areas, see operating instructions.

### Associated isolating amplifiers and control units

Model	Version	Ex version
904.28 KFA6 - SR2 - Ex1.W	1 contact	yes
904.29 KFA6 - SR2 - Ex2.W	2 contacts	yes
904.30 KHA6 - SH - Ex1	1 contact	yes - safety equipment
904.33 KFD2 - SH - Ex1	1 contact	yes - safety equipment
904.25 MSR 010-I	1 contact	no
904.26 MSR 020-I	2 contacts	no
904.27 MSR 011-I	Two-point control	no

## Specifications for instruments with electronic contact model 830 E

Measuring span	Max. number of contacts
≥ 25 mbar	3

The recommended setting range of the contacts is 10 ... 90 % of the scale (0 ... 100 % on request).

### Setting of contacts to identical set point

Up to 2 contacts can be set to an identical set point. For a version with 3 contacts this is not possible. The left (no. 1) or right (no. 3) contact may not be set to the same set point as the other 2 contacts. The required displacement is approx. 30°, optionally to the right or to the left.

Characteristics	
Contact version	Normally open, normally closed
Type of output	PNP transistor
Operating voltage	DC 10 ... 30 V
Residual ripple	max. 10 %
No-load current	≤ 10 mA
Switching current	≤ 100 mA
Residual current	≤ 100 μA
Voltage drop (with I <sub>max.</sub> )	≤ 0.7 V
Reverse polarity protection	Conditional U <sub>B</sub> (the switched output 3 or 4 must never be set directly to minus)
Anti-inductive protection	1 kV, 0.1 ms, 1 kΩ
Oscillator frequency	approx. 1,000 kHz
EMC	per EN 60947-5-2

## Specifications for instruments with reed switch model 851

Measuring span <sup>1)</sup>	Case version	Max. number of contacts
≥ 25 mbar	S1, S3 <sup>2)</sup>	2

1) Accuracy class 2.5 for scale range 0 ... 25 mbar

2) Case version S3 with NS 100

Legend:

S1 = Standard version, with blow-out device (per EN 837)

S3 = Safety version, Solidfront (per EN 837)

Switching power  $P_{\max}$  60 W / 60 VA












Switching current 1 A

Characteristics	
Contact version	Change-over contact
Type of contact	Bistable
Max. switching voltage	AC/DC 250 V
Min. switching voltage	Not required
Switching current	AC/DC 1 A
Min. switching current	Not required
Transport current	AC/DC 2 A
cos φ	1
Switching power	60 W/ VA
Contact resistance (static)	100 mΩ
Insulation resistance	10 <sup>9</sup> Ω
Breakdown voltage	DC 1,000 V
Switching time incl. contact chatter	4.5 ms
Contact material	Rhodium
Switch hysteresis	3 ... 5 %

- The limit values presented here must not be exceeded.
- When using two contacts, these cannot be set to the same point. Depending on the switching function, a minimum clearance of 15 ... 30° is required.
- The setting range of the contacts is 10 ... 90 % of the scale.
- The switching function can be set in manufacturing such that the reed contact will actuate exactly at the required switch point. For this, we need the switching direction to be specified on order.



# Approvals

Logo	Description	Country
 	<b>EU declaration of conformity</b> <ul style="list-style-type: none"> <li>■ EMC directive</li> <li>■ Pressure equipment directive</li> <li>■ ATEX directive (option) <sup>1)</sup></li> </ul> Hazardous areas <ul style="list-style-type: none"> <li>- Ex ia Gas [II 2G Ex ia IIC T6/T5/T4 Gb]</li> <li style="padding-left: 20px;">Dust [II 2D Ex ia IIIB T135°C Db]</li> </ul> Hazardous areas for instruments with PTFE lining <ul style="list-style-type: none"> <li>- Ex ia Gas [II 2G Ex ia IIB T6/T5/T4 Gb]</li> </ul>	European Union
 	<b>IECEx (option) <sup>1)</sup></b> Hazardous areas <ul style="list-style-type: none"> <li>- Ex ia Gas [Ex ia IIC T6/T5/T4 Gb]</li> <li style="padding-left: 20px;">Dust [Ex ia IIIB T135°C Db]</li> </ul> Hazardous areas for instruments with PTFE lining <ul style="list-style-type: none"> <li>- Ex ia Gas [Ex ia IIB T6/T5/T4 Gb]</li> </ul>	International
	<b>EAC (option)</b> <ul style="list-style-type: none"> <li>■ Low voltage directive</li> <li>■ Hazardous areas <sup>1)</sup></li> </ul>	Eurasian Economic Community
	<b>GOST (option)</b> Metrology, measurement technology	Russia
	<b>KazInMetr (option)</b> Metrology, measurement technology	Kazakhstan
-	<b>MTSCHS (option)</b> Permission for commissioning	Kazakhstan
	<b>BelGIM (option)</b> Metrology, measurement technology	Belarus
	<b>UkrSEPRO (option)</b> Metrology, measurement technology	Ukraine
	<b>Uzstandard (option)</b> Metrology, measurement technology	Uzbekistan
-	<b>CPA</b> Metrology, measurement technology	China
	<b>KCs (KOSHA) (option)</b> Hazardous areas <sup>1)</sup>	South Korea
-	<b>CRN</b> Safety (e.g. electr. safety, overpressure, ...)	Canada

1) Only for instruments with inductive contact model 831

## Certificates (option)

- 2.2 test report per EN 10204 (e.g. state-of-the-art manufacturing, indication accuracy)
- 3.1 inspection certificate per EN 10204 (e.g. indication accuracy)

Approvals and certificates, see website

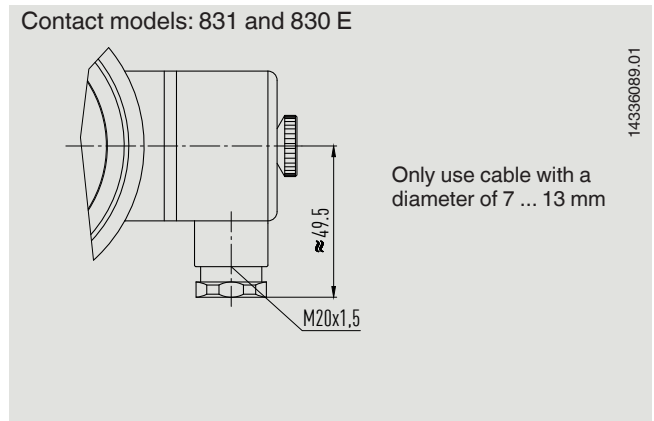
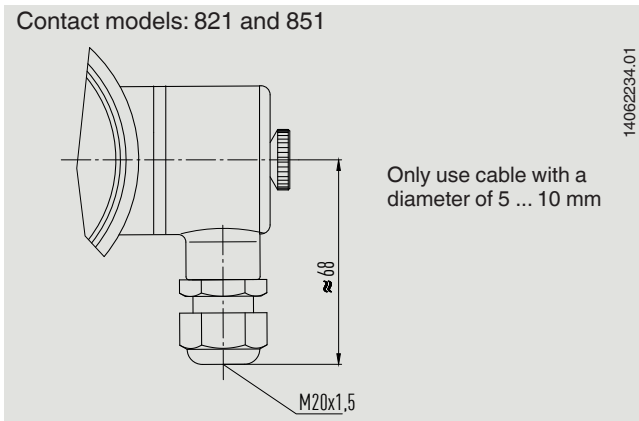
## Accessories

- Sealings (model 910.17, see data sheet AC 09.08)
- Valves (models IV20/IV21, see data sheet AC 09.19, and models IV10/IV11, see data sheet AC 09.22)
- Syphons (model 910.15, see data sheet AC 09.06)
- Cooling element (model 910.32, see data sheet AC 09.21)
- Additional wall bracket for model 432.36, high overload safety up to 400 bar <sup>1)</sup>

1) Recommendation with vibration load > 0.5 g

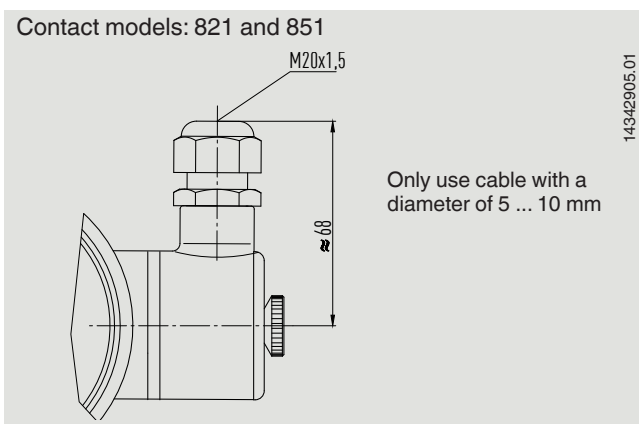
## Dimensions in mm

### Standard cable socket



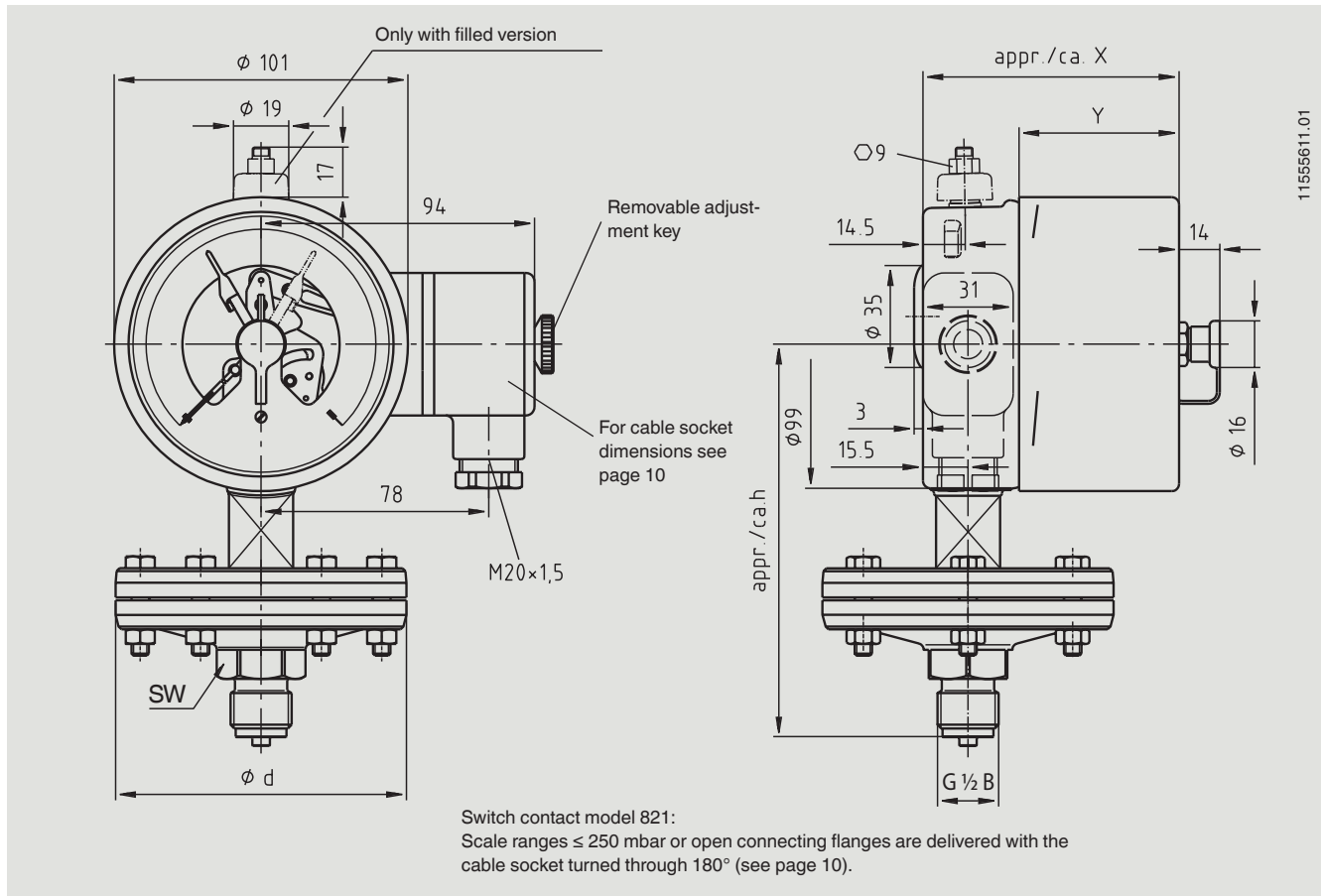
NS 100 instruments with contact models 821 or 851 are delivered with the cable socket turned through 180° for measuring ranges ≤ 250 mbar or for process connections with open connecting flanges.

### Cable socket, turned through 180°



## Dimensions in mm

switchGAUGE model 432.56.100, with switch contact model 821, 831 or 830 E

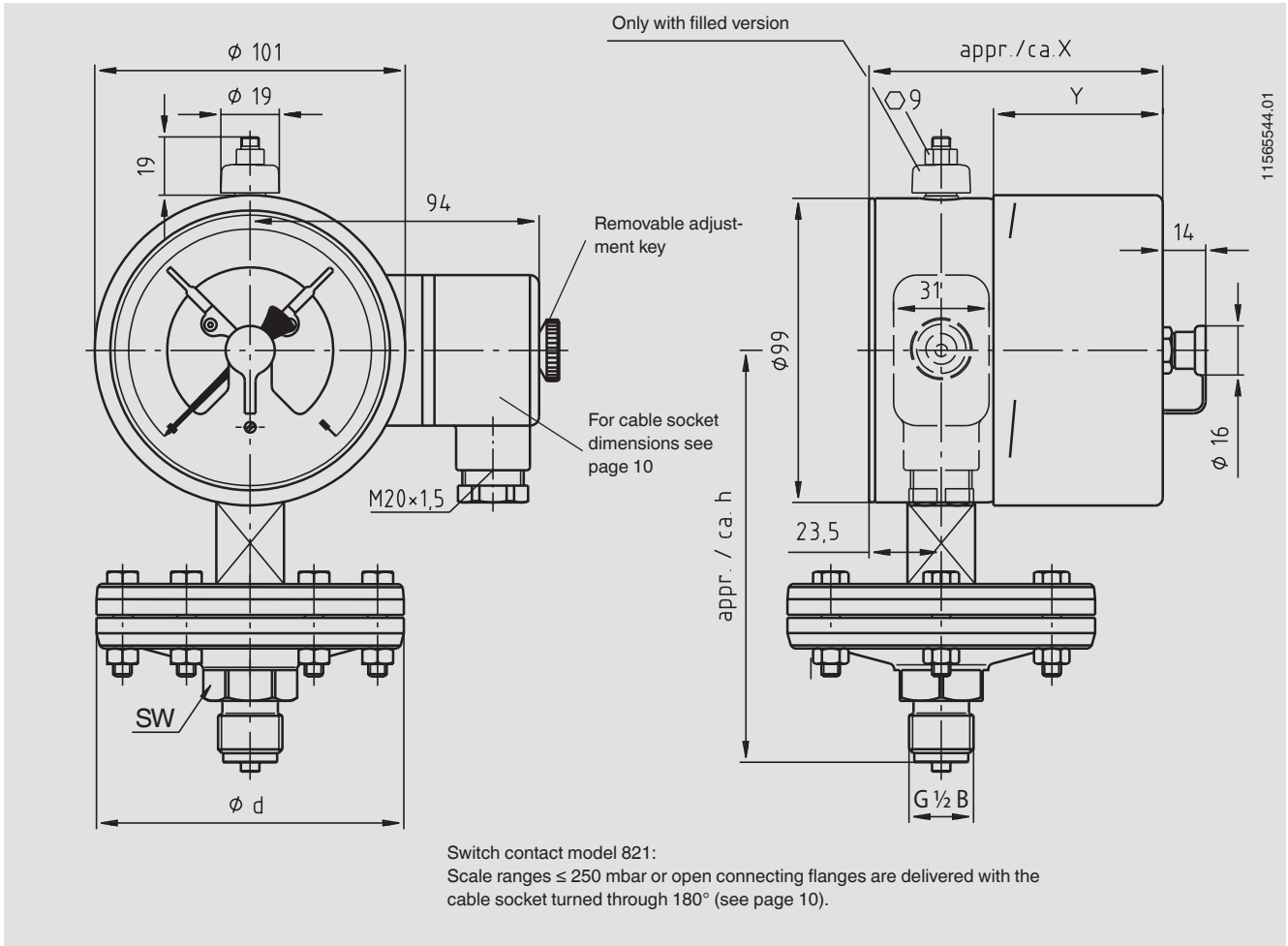


Type of contact	Dimensions in mm	
	X	Y
Single or double contact	88	55
Double (change-over) contact	113	80
Triple contact	96	63
Quadruple contact	113	80

Scale ranges	Overload safety	Dimensions in mm		
		d	h $\pm 2$	SW
$\leq 0.25$	40	160	135	27
	100	160	143	22
$> 0.25$	40	100	135	27
	100	100	135	27
	400	128	169	22



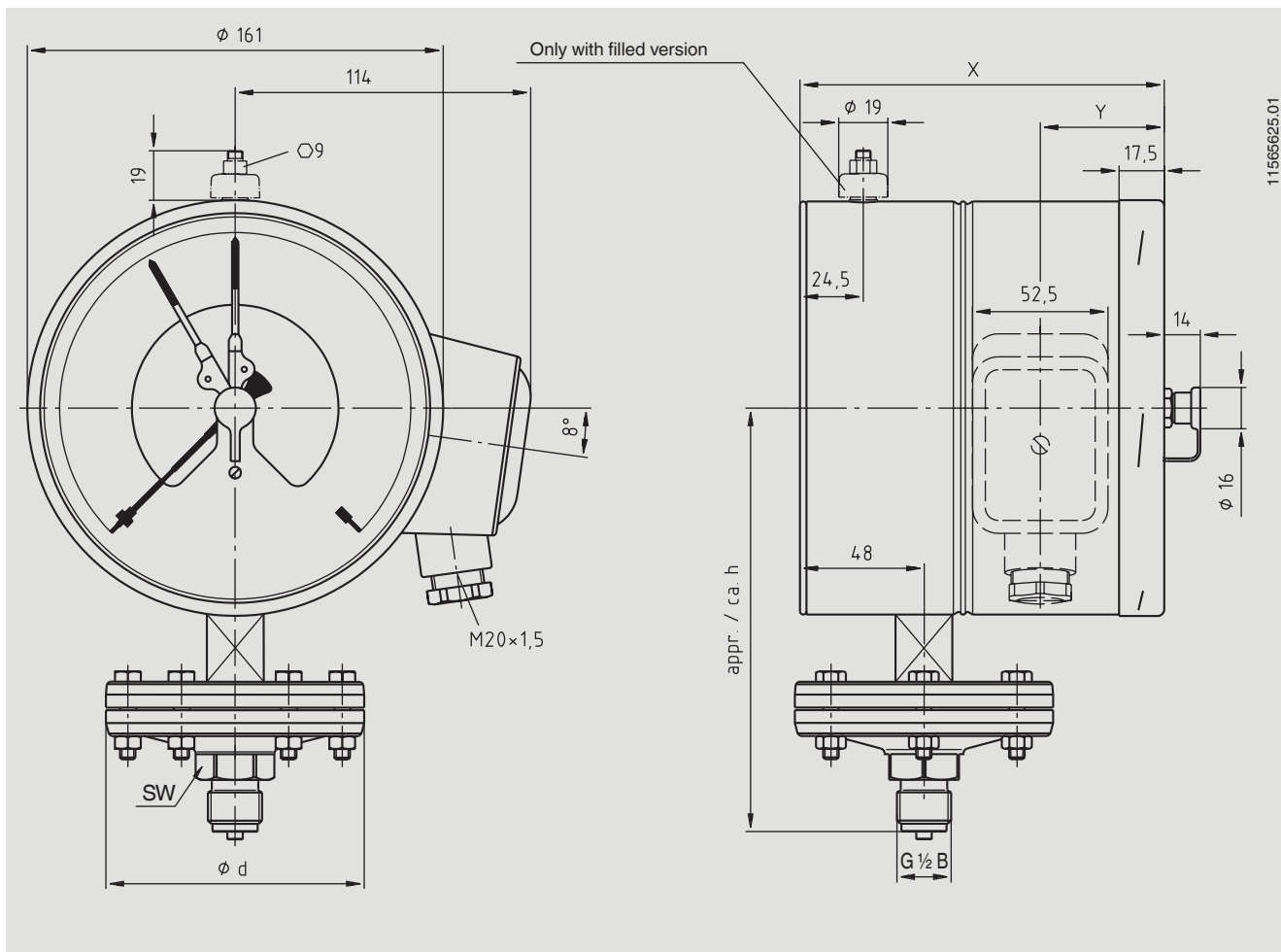
switchGAUGE model 432.36.100, with switch contact model 821, 831 or 830 E



Type of contact	Dimensions in mm	
	X	Y
Single or double contact	97	55
Double (change-over) contact	122	80
Triple contact	105	63
Quadruple contact	122	80

Scale ranges	Overload safety	Dimensions in mm			
		d	h $\pm 2$	SW	
in bar	in bar				
	$\leq 0.25$	40	160	135	27
		100	160	143	22
> 0.25	40	100	135	27	
	100	100	135	27	
	400	128	169	22	

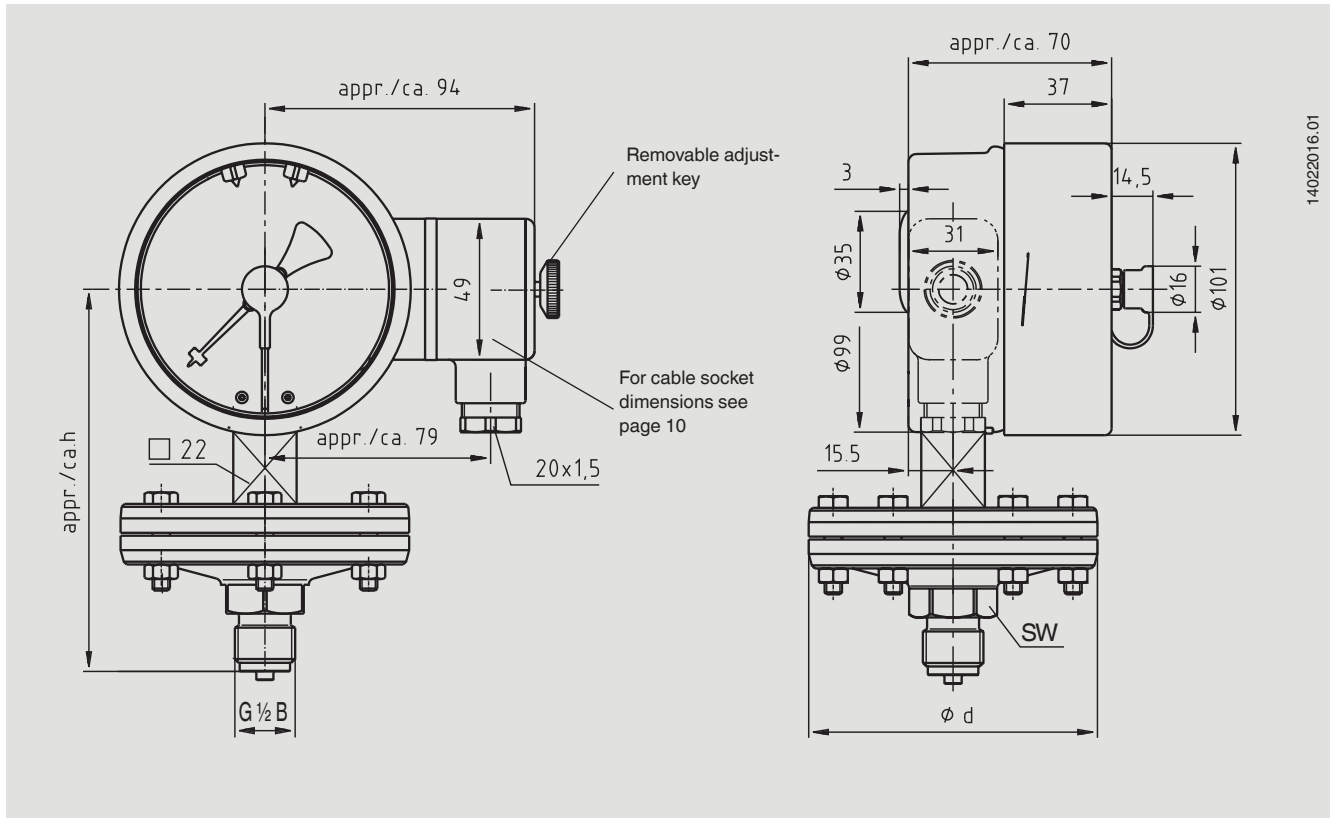
switchGAUGE model 432.36.160, with switch contact model 821, 831 or 830 E



Type of contact	Dimensions in mm	
	X	Y
Single or double contact	141	48
Triple contact	153.5	60.5

Scale ranges in bar	Overload safety in bar	Dimensions in mm		
		d	h ±2	SW
≤ 0.25	40	160	165	27
	100	160	173	22
> 0.25	40	100	165	27
	100	100	165	27
	400	128	199	22

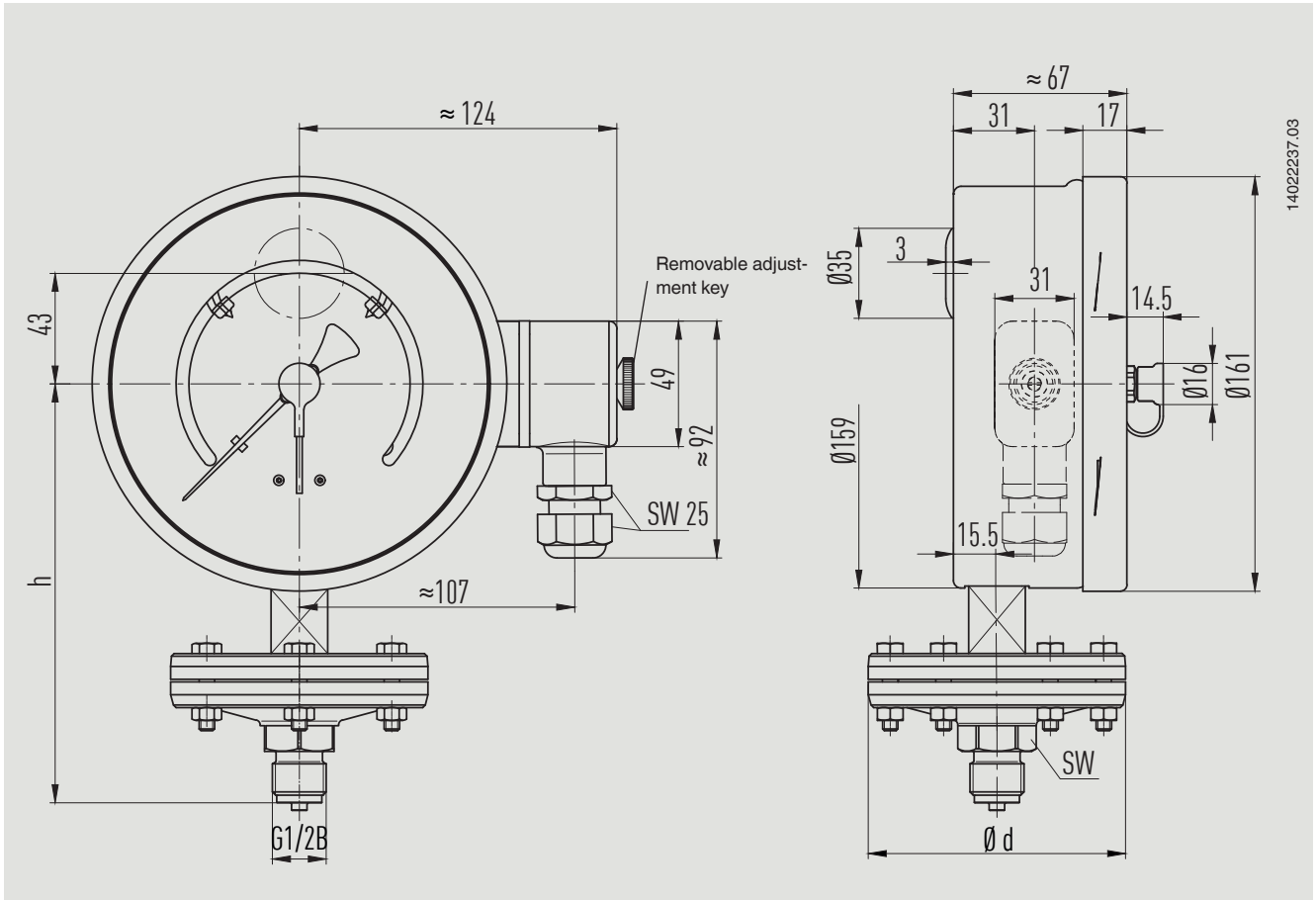
switchGAUGE model 432.56.100, with switch contact model 851.3 or 851.33



14022016.01

Scale ranges in bar	Overload safety in bar	Dimensions in mm		
		d	h ±2	SW
≤ 0.25	40	160	135	27
	100	160	143	22
> 0.25	40	100	135	27
	100	100	135	27

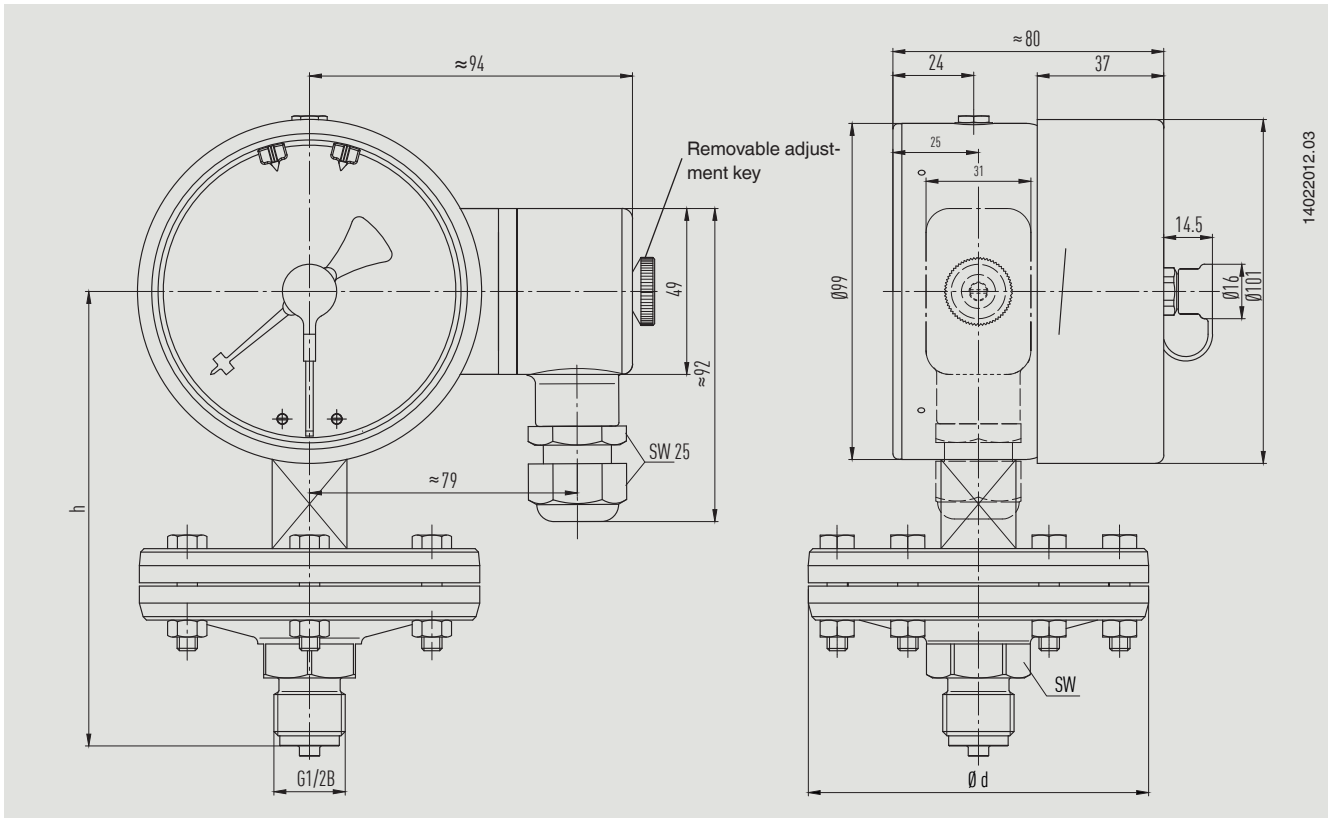
switchGAUGE model 432.56.160, with switch contact model 851.3 or 851.33



Scale ranges	Overload safety	Dimensions in mm		
		d	h ±2	SW
≤ 0.25	40	160	165	27
	100	160	173	22
> 0.25	40	100	165	27
	100	100	165	27



switchGAUGE model 432.36.100, with switch contact model 851.3 or 851.33



Scale ranges	Overload safety	Dimensions in mm		
in bar	in bar	d	h ±2	SW
≤ 0.25	40	160	135	27
	100	160	143	22
> 0.25	40	100	135	27
	100	100	135	27
	400	128	169	22

**Ordering information**

Model / Nominal size / Overload safety / Scale range / Type of contact and switching function / Process connection / Options

© 04/2010 WIKA Alexander Wiegand SE & Co. KG, all rights reserved.  
 The specifications given in this document represent the state of engineering at the time of publishing.  
 We reserve the right to make modifications to the specifications and materials.

Your WIKA Sales Partner



**ICS Schneider Messtechnik GmbH**  
 Briesestrasse 59  
 D-16562 Hohen Neuendorf / OT Bergfelde  
 Tel.: +49 3303 5040-66  
 Fax: +49 3303 5040-68  
 E-Mail: info@ics-schneider.de



**WIKAL Alexander Wiegand SE & Co. KG**  
 Alexander-Wiegand-Straße 30  
 63911 Klingenberg/Germany  
 Tel. +49 9372 132-0  
 Fax +49 9372 132-406  
 info@wika.de  
 www.wika.de