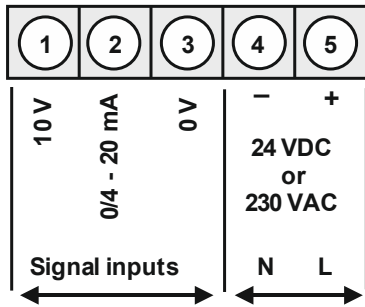




MB1 – bargraph display in 96x24 mm (BxH)
Direct voltage / direct current signals 0-10 VDC, 0/4-20 mA
Switchable bargraph colours:
Standard red/green, optionally green/orange or blue/red

- 30 point bargraph display – NEW: colour: red or green, selectable via decode switch
- minimum installation depth: 60 mm without plug-in screw terminal
- adjustable via HEX switch and push-button
- pre-adjusted input for standard signals 0-10 V and 0/4-20 mA
- free adjustment on the input signal
- 8 different display types adjustable as bar, dot/point or curtain
- free choice of direction and display of centre (e.g. bars starting from the middle of display)
- control of bightness level in stages
- protection class IP65
- plug-in terminal
- optional: switchable colours green/orange, blue/red

• **Direct current, direct voltage**



Supply 24 VDC

horizontal

MB1-33RHO.0001.770BD

173,40

vertical

MB1-33RVO.0001.770BD

173,40

Supply 230 VAC

horizontal

MB1-33RHO.0001.570BD

173,40

vertical

MB1-33RVO.0001.570BD

173,40

• **Product key options**

M	B	1-	3	3	R	3	H	O.	0	0	0	1.	7	7	0	B	D
M	B	1-	3	3	R	3	V	O.	0	0	0	1.	7	7	0	B	D

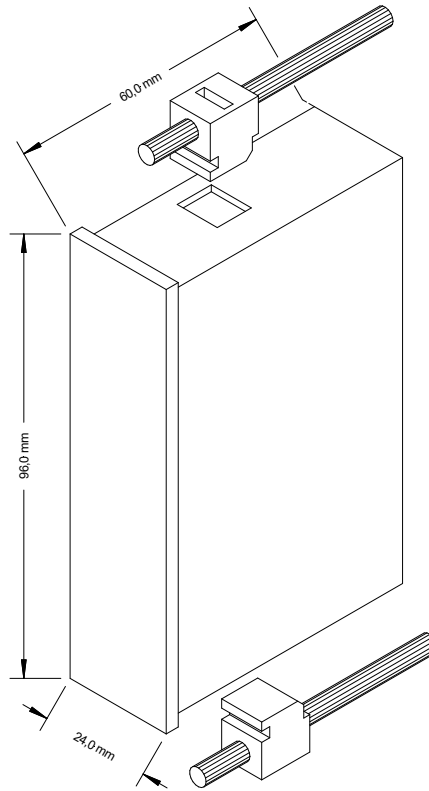
B	Blue/Red bargraph display	31,80
Y	Green/Orange bargraph display	15,90

Please state physical unit in order, e.g. %.

• **Technical data**

Dimensions	Housing	B96 x H24 x D60 mm (D=75 mm incl. plug-in terminal)
	Panel cut-out	92.0 ^{+0.8} x 22.0 ^{+0.3} mm
	Fixing	screw elements for insulation thickness up to 3 mm
	Housing material	PC Polycarbonate; colour: black UL94V-0
	Sealing material	EPDM, 65 Shore
	Protection class	front IP65 standard, rear side IP00
	Weight	approx. 100 g
	Connection	plug-in terminal; line cross section up to 2.5 mm ²
Display	Bargraph	30 points
	Bargraph segment	4 mm
	Segment colour	red/green selectable, optionally green/orange, blue/red
	Display range	30 point bargraph display
	Overflow	all segments are flashing, except the last three segments
	Underflow	flashing of the first three bargraph elements
	Display time/Meas. time	approx. 100 ms
Measuring input	Span	-12...12 V / -22 mA...24 mA
	Measuring range	0...10 V / 0/4...20 mA
	Input resistance	Ri at ~200 kΩ / Ri at ~100 Ω
	Measuring fault	0.5% of final value, ±1 Digit / 0.5% of final value, ±1 Digit
	Temperature drift	100 ppm/K
	Measuring time	approx. 100 ms
	Measuring principle	U/F-converter
	Resolution	approx. 14 Bit at 0.1 s measuring time
Power pack	Supply	24 VDC, ±10% (max. 2 VA) 230 VAC, ±10% 50/60 Hz, max. 3 VA
Memory	EEPROM	Data life ≥ 100 years at 25°C
Ambient conditions	Working temperature	0 to +60°C
	Storing temperature	-20 to +80°C
	Climatic density	relative humidity 0-85% on years average without dew
CE-sign	Conformity to directive	2014/30/EU
EMV	EN 61326, EN 55011	
Safety standard	According to low voltage directive	2014/35/EU, EN 61010, EN 50554-1

Housing:



• Ordering code

	M	B	1-	3	3	R	H	O.	0	0	0	1.	7	7	0	B	D	
Basic type M-Line																		Dimension
Bargraph display		B																D physical unit
Installation depth																		Version
75 mm (incl. plug-in terminal)																		B B
Housing size																		Setpoints
B96xH24xD60 mm																		0 no setpoints
Resolution																		Protection class
30 points																		7 IP65 / plug-in terminal
Display colours																		Voltage supply
Green/Orange																		7 24 VDC galv. isolated
Red/Green																		5 230 VAC ±10%
Blue/Red																		Measuring input
Adjustment																		1 Standard signal 0/4-20 mA, 0-10 VDC
Horizontal																		Analog output
Vertical																		0 without
Digital display																		Sensor supply
without																		0 without
																		Interface
																		0 without