

High-quality pressure sensor with mounted diaphragm seal With milk thread fitting Model DSS18T

WIKA data sheet DS 95.05



Applications

- Hygienic pressure measurement in sanitary applications for the food and beverage industry
- For dairies, dairy products, breweries and soft drink production
- Mounting to pipelines and vessels with 4 ... 20 mA output signal
- For gases, compressed air, vapour; liquid, pasty, powdery and crystallising media

Special features

- Quick cleaning, without residue
- Milk thread fitting per DIN 11851
- Suitable for cleaning out of place (COP)



Diaphragm seal system, model DSS18T

Description

Diaphragm seal systems are used to protect the pressure measuring instrument from aggressive, adhesive, crystallising, corrosive, highly viscous, environmentally hazardous or toxic media. The diaphragm made of stainless steel provides for the separation from the medium. The pressure is transmitted to the measuring instrument via the system fill fluid which is inside the diaphragm seal system.

The DSS18T complies with all requirements of the food industry. The milk thread fitting enables a hygienic process connection. The requirements of COP (cleaning out of place) are fulfilled.

The diaphragm seal systems can withstand the cleaning vapour temperatures occurring in the SIP processes and thus ensure a sterile connection between the medium to be measured and the diaphragm seal.

The proven, all-welded construction ensures a long service life and permanent sealing.

The DSS18T is used for pressure measurement in various process steps, e.g. filtration, separation, pasteurisation, and in filling systems.

Specifications

Model DSS18T	
Design	High-quality pressure sensor, welded to diaphragm seal
Current output	4 ... 20 mA (2-wire)
Power supply	DC 8 ... 35 V
Accuracy at reference conditions	≤ ±0.5 % of span
Permissible load in Ω	Current output ≤ (power supply - 7.5 V) / 0.023 A
Current supply	Max. 25 mA
Dissipation loss	828 mW
Reference conditions (per IEC 61298-1)	Temperature: 15 ... 25 °C [59 ... 77 °F] Atmospheric pressure: 860 ... 1,060 mbar [12.5 ... 15.4 psi] Humidity: 45 ... 75 % r. h. Power supply: DC 24 V Mounting position: Calibrated in vertical mounting position with pressure connection facing downwards
Pressure limitation	< 10 bar [150 psi]: 3 times ≥ 10 bar [150 psi]: 2 times
Permissible temperature range	
Medium	-10 ... 80 °C [50 ... 176 °F], for CIP and SIP max. 130 °C [266 °F]
Ambient	10 ... 40 °C [50 ... 104 °F]
Storage	10 ... 60 °C [50 ... 140 °F]
Material	
wetted	Diaphragm: Stainless steel 1.4435 [316L] Diaphragm seal: Stainless steel 1.4435 [316L]
non-wetted	Case: Stainless steel 1.4571 [316Ti] Zero adjustment ring: PBT/PET GF30 Angular connector: PBT/PET GF30
Surface roughness	
wetted	Ra ≤ 0,76 μm [30 μin] per ASME BPE SF3 (except for weld seam)
Level of cleanliness of wetted parts	Oil and grease free per ASTM G93-03 level F and ISO 15001 (< 1,000 mg/m ²)
System fill fluid	Medicinal white mineral oil KN 92 (FDA 21 CFR 172.878, 21 CFR 178.3620(a); USP, EP, JP)
Permissible humidity (per IEC 68-2-78)	≤ 67 % r. h. at 40 °C [104 °F] (in accordance with 4K4H per EN 60721-3-4)

Measuring ranges in bar [psi]

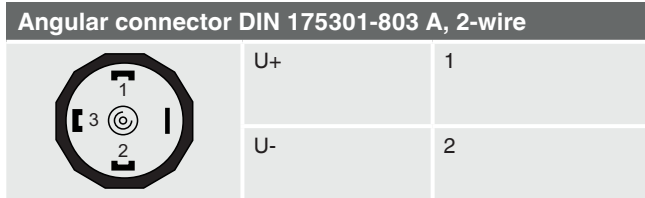
Gauge pressure			
0 ... 1 [0 ... 15]	0 ... 1.6 [0 ... 25]	0 ... 2.5 [0 ... 40]	0 ... 4 [0 ... 60]
0 ... 6 [0 ... 100]	0 ... 10 [0 ... 160]	0 ... 16 [0 ... 250]	0 ... 25 [0 ... 300]
Vacuum and +/- measuring range			
-1 ... +5 [-30 inHg ... +70]	-1 ... +9 [-30 inHg ... +130]	-1 ... +10 [-30 inHg ... +145]	

Electrical connection

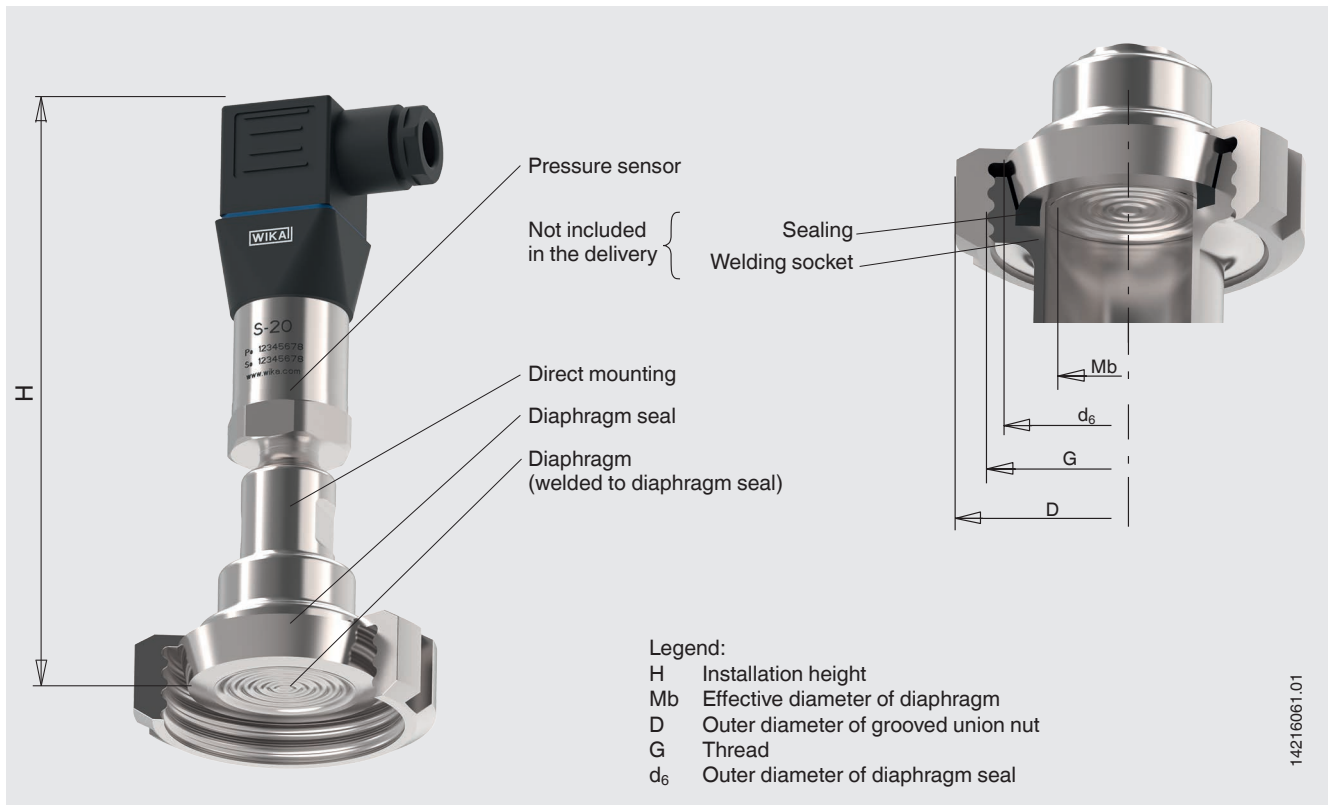
Angular connector DIN 175301-803 A				
Electrical connection	Ingress protection ¹⁾	Wire cross-section	Cable Ø	Permissible temperature
with mating connector	IP65	max. 1.5 mm ²	6 ... 8 mm	-30 ... +100 °C [-22 ... +212 °F]

1) Only applies when plugged in using a suitable mating connector that has the appropriate ingress protection.

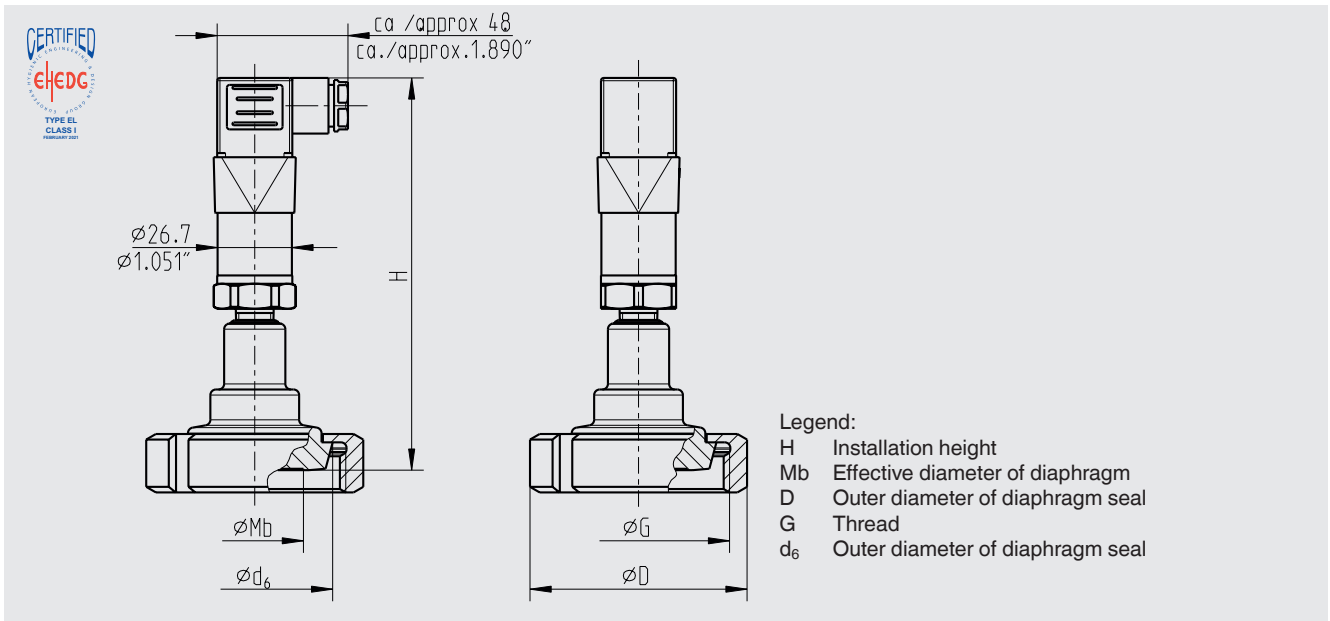
Connection diagram



Model DSS18T illustrated on a pipe socket



Dimensions in mm [in]



Type of process connection: Milk thread fitting following DIN 11851

Pipe standard: Pipes per DIN 11850 row 2

DN	For pipe Outer \varnothing x wall thickness	PN	Dimensions in mm [in]				
			G	H	D	d ₆	Mb
25	29 x 1.5 [1.142 x 0.059]	40	RD 52 x 1/6 [2.047 x 1/6]	139 [5,472]	63 [2.48]	44 [1.732]	26 [1.024]
40	41 x 1.5 [1.614 x 0.059]	40	RD 65 x 1/6 [2.559 x 1/6]	141 [5,551]	78 [3.07]	56 [2.205]	35 [1.378]
50	53 x 1.5 [2.087 x 0.059]	25	RD 78 x 1/6 [3.071 x 1/6]	143 [5,63]	92 [3.622]	68.5 [2.697]	52 [2.047]

Approvals

Logo	Description	Country
	EHEDG Hygienic Equipment Design	European Community

Certificates (option)

3.1 inspection certificate per EN 10204 (e.g. material proof for wetted metallic parts, calibration certificate)

Approvals and certificates, see website

Ordering information

Scale range / Process connection (type of process connection, pipe standard, pipe dimension) / Materials / Certificates

© 04/2017 WIKA Alexander Wiegand SE & Co. KG, all rights reserved.
The specifications given in this document represent the state of engineering at the time of publishing.
We reserve the right to make modifications to the specifications and materials.

Your WIKA Sales Partner



ICS Schneider Messtechnik GmbH
Briesestrasse 59
D-16562 Hohen Neuendorf / OT Bergfelde
Tel.: +49 3303 5040-66
Fax: +49 3303 5040-68
E-Mail: info@ics-schneider.de



WIKA Alexander Wiegand SE & Co. KG
Alexander-Wiegand-Straße 30
63911 Klingenberg/Germany
Tel. +49 9372 132-0
Fax +49 9372 132-406
info@wika.de
www.wika.de