

# Pressure gauge per EN 837-1 with mounted diaphragm seal With threaded connection, welded design Model DSS34M

WIKA data sheet DS 95.15

## Applications

- For aggressive, contaminated or hot media
- Process industry
- Water treatment

## Special features

- Process connection with thread to provide for direct threaded connection
- Version with internal diaphragm
- Diaphragm seal parts all welded
- Universal application



Diaphragm seal system, model DSS34M

## Description

Diaphragm seal systems are used to protect the pressure measuring instrument from aggressive, adhesive, crystallising, corrosive, highly viscous, environmentally hazardous or toxic media. The diaphragm made of stainless steel provides for the separation from the medium. The pressure is transmitted to the measuring instrument via the system fill fluid which is inside the Diaphragm seal system.

Due to its design, the DSS34M can be used universally and offers the advantage that the end user can read the pressure directly.

Mounting of the diaphragm seal to the measuring instrument is made via direct mounting as standard.

The DSS34M is particularly well suited for aggressive, contaminated or hot media. This instrument is mainly geared to applications in the chemical and petrochemical industries.

## Specifications

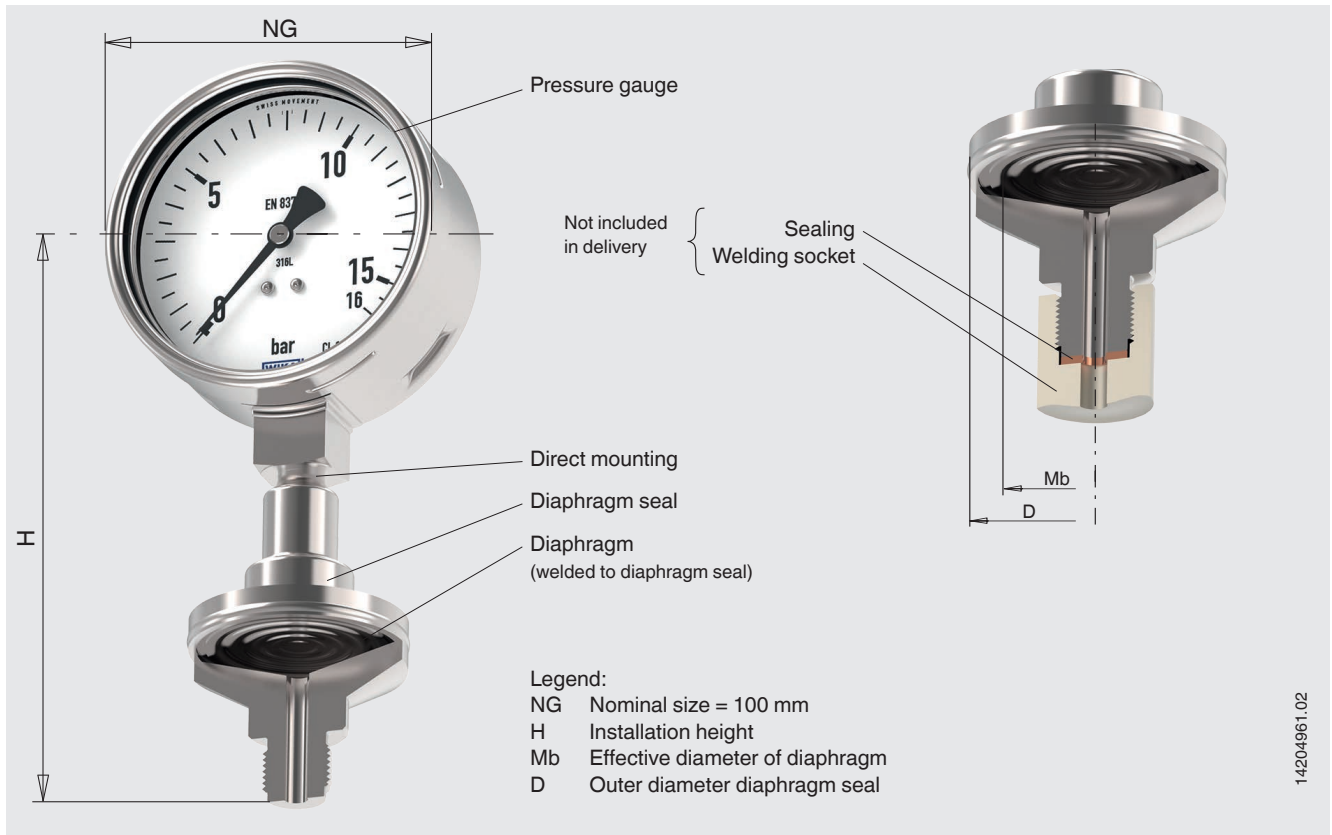
Model DSS34M	
<b>Version</b>	Pressure gauge with Bourdon tube per EN 837-1, screwed to diaphragm seal
<b>Nominal size (NS)</b>	100
<b>Accuracy class</b>	1.0
<b>Scale range</b>	0 ... 1 to 0 ... 60 bar [0 ... 15 to 0 ... 800 psi] or all other equivalent vacuum or combined pressure and vacuum ranges
<b>Pressure limitation</b>	Steady: Full scale value Fluctuating: 0.9 x full scale value Short time: 1.3 x full scale value
<b>Permissible temperature range</b>	Medium -10 ... 150 °C [14 ... 302 °F] Ambient 10 ... 40 °C [50 ... 104 °F] Storage 10 ... 60 °C [50 ... 140 °F]
<b>Ingress protection</b>	IP65 per IEC/EN 60529
<b>Material</b>	
wetted	Diaphragm: Stainless steel 1.4435 [316L] or Hastelloy C276 Diaphragm seal: Stainless steel 1.4435 [316L] or Hastelloy C276
non-wetted	Dial, pointer: Aluminium Case: Stainless steel 1.4301 [304] Diaphragm seal, pressure element: Stainless steel Window: Laminated safety glass
<b>Level of cleanliness of wetted parts</b>	Oil and grease free per ASTM G93-03 level F WIKA standard (< 1,000 mg/m <sup>2</sup> )
<b>System fill fluid</b>	Silicone oil KN 2 for general applications

### Scale ranges in bar [psi]

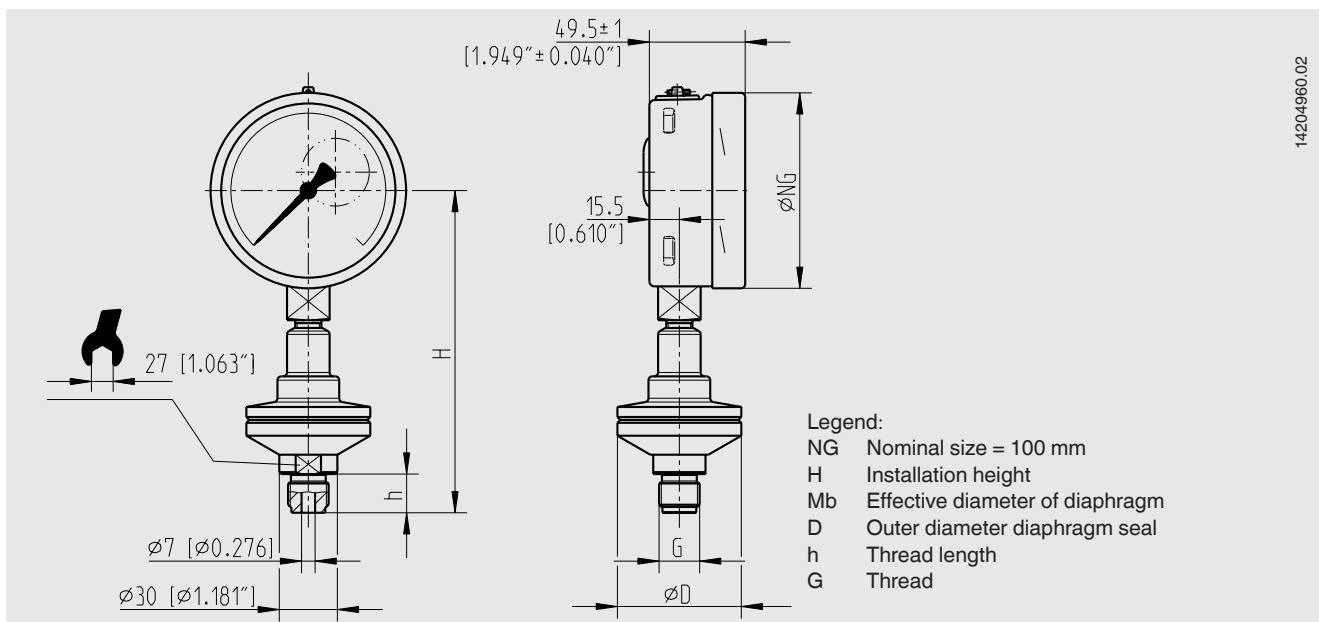
Gauge pressure			
0 ... 1 [0 ... 15]	0 ... 1.6 [0 ... 25]	0 ... 2.5 [0 ... 40]	0 ... 4 [0 ... 60]
0 ... 6 [0 ... 100]	0 ... 10 [0 ... 160]	0 ... 16 [0 ... 250]	0 ... 25 [0 ... 300]
0 ... 40 [0 ... 600]	0 ... 60 [0 ... 1,000]		

Vacuum and +/- scale range		
-1 ... +5 [-30 inHg ... +70]	-1 ... +9 [-30 inHg ... +130]	-1 ... +10 [-30 inHg ... +145]

Model DSS34M



## Dimensions in mm [in]



Type of process connection: Threaded connection, threaded design

Wetted parts	G	Dimensions in mm [in]			
		NG	H	D	Mb
Stainless steel 1.4404/1.4435 (316L)	G ½	100 [3.937]	166.5 [6.555]	64 [2.52]	52 [2.047]
	½ NPT		165.5 [6.516]		
Hastelloy C276	G ½	100 [3.937]	200.5 [7.9]	64 [2.52]	52 [2.047]
	½ NPT		199.5 [7.85]		

## Certificates (option)

3.1 inspection certificate per EN 10204 (e.g. material proof for wetted metallic parts, calibration certificate)

Approvals and certificates, see website

## Ordering information

Scale range / Process connection (type of process connection, pipe standard, pipe dimension) / Material of wetted parts / Certificates

© 02/2017 WIKA Alexander Wiegand SE & Co. KG, all rights reserved.  
The specifications given in this document represent the state of engineering at the time of publishing.  
We reserve the right to make modifications to the specifications and materials.

WIKA data sheet DS 95.15 · 09/2018

Page 5 of 5

Your WIKA Sales Partner



**ICS Schneider Messtechnik GmbH**  
Briesestrasse 59  
D-16562 Hohen Neuendorf / OT Bergfelde  
Tel.: +49 3303 5040-66  
Fax: +49 3303 5040-68  
E-Mail: [info@ics-schneider.de](mailto:info@ics-schneider.de)



**WIKA Alexander Wiegand SE & Co. KG**  
Alexander-Wiegand-Straße 30  
63911 Klingenberg/Germany  
Tel. +49 9372 132-0  
Fax +49 9372 132-406  
[info@wika.de](mailto:info@wika.de)  
[www.wika.de](http://www.wika.de)