

In-line diaphragm seal For flange connection Model 981.10, cell-type

WIKA Data Sheet DS 98.28

Applications

- For direct, permanent installation in pipelines
- For flowing, pure and aggressive media
- Chemical process industry
- Petrochemical industry

Special Features

- Completely round, no corners and edges
- For direct installation between two flanges
- Wide choice of special materials



In-line diaphragm seal, cell-type, model 981.10

Description

Process connection

For flanges following EN 1092-1 / ASME B 16.5
Nominal sizes see drawing and tables
Sealing faces, Form B1 or ASME RF 125 ... 250 AA

Pressure rating

PN 6 ... 400 or class 150 ... 2500

Pressure ranges

Preferably assembled on pressure gauges
NS 63, 100, 160 or pressure transmitters,
measuring ranges 0 ... 0.6 to 0 ... 400 bar

Body and material of wetted parts

Stainless steel (AISI 316L)

Measuring instrument connection

Pressure gauge or transmitter directly welded,
process pressure transmitter with threaded adapter

System fill fluid

KN2, Silicone oil

Options

Process connection

- Sealing faces per EN 1092-1, Form B2 or per ASME B 16.5, RF 125 AA, 500AA, RFSF; EN 1092-1 groove and tongue; projection and recess; ASME B 16.5 snap ring groove Form RJF (limited for special materials, please inquire)
- Flame arrester approved for Zone 0

Measuring instrument connection

- Capillary, when ordering please specify: length of capillary
- Cooling tower (for process temperature >140 °C)

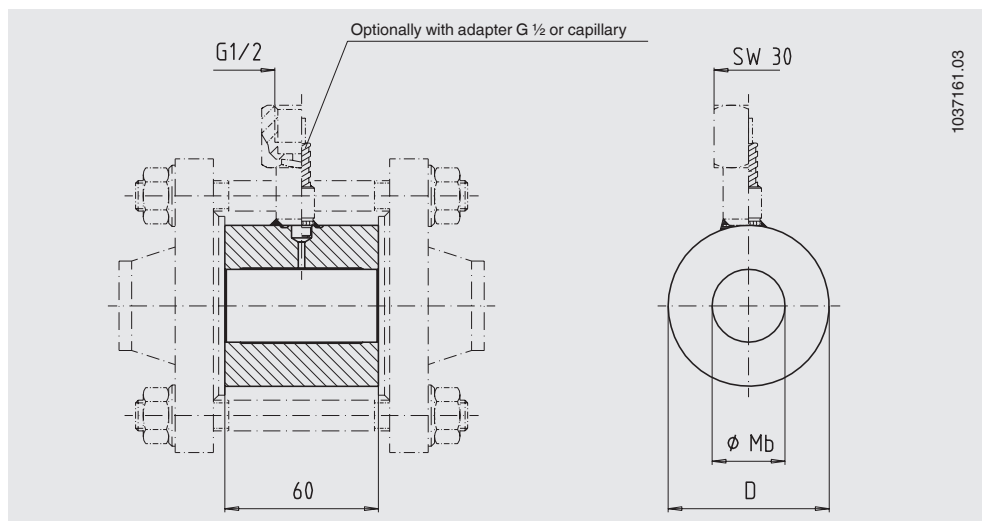
Material of wetted parts

- Stainless steel 1.4435, 1.4541, 1.4571, 1.4462, Monel 400, Hastelloy C276, Inconel 600, Incoloy 825, tantalum, Hastelloy B2, C4, C22 and nickel

Capillary

- Custom lengths between 1 and 15 m
- Soft polyethylene or PTFE armour

Dimensions in mm



Connection following EN 1092-1

DN in mm	PN in bar	Dimensions in mm			Weight in kg
		D	Mb	L	
25	6 ... 400	63	28.5	60	1.4
40	6 ... 400	85	43	60	2.2
50	6 ... 320	95	54.5	60	2.5
80	6 ... 250	130	82.5	60	4.0
100	6 ... 160	150	107	60	4.7
125	6	178	132	60	6.8
125	10 ... 63	188	132	60	6.8
150	6	202	159	60	9.5
150	10 ... 63	212	159	60	9.5

Connection per ASME B 16.5

DN	Class	Dimensions in mm			Weight in kg
		D	Mb	L	
1"	150 ... 2500	63	28.5	60	1.4
1 1/2"	150 ... 2500	78	43	60	2.2
2"	150 ... 1500	95	54.5	60	2.5
3"	150 ... 900	130	82.5	60	4.0
4"	150 ... 600	150	107	60	4.7
5"	150 ... 300	186	132	60	6.8
6"	150 ... 300	216	159	60	9.5

Ordering information

Model / Process connection (standard, nominal size, pressure rating, sealing face form) / Material of wetted parts / Instrument connection: direct assembly or via capillary, capillary length / System fill fluid / Assembly on pressure measuring instrument model... / Process conditions: application, process temperature max. and min., ambient temperature max. and min.

© 03/2008 WIKA Alexander Wiegand SE & Co. KG, all rights reserved.
The specifications given in this document represent the state of engineering at the time of publishing.
We reserve the right to make modifications to the specifications and materials.

Your WIKA Sales Partner



ICS Schneider Messtechnik GmbH

Briesestrasse 59

D-16562 Hohen Neuendorf / OT Bergfelde

Tel.: +49 3303 5040-66

Fax: +49 3303 5040-68

E-Mail: info@ics-schneider.de



WIKAL Alexander Wiegand SE & Co. KG

Alexander-Wiegand-Straße 30

63911 Klingenberg/Germany

Tel. +49 9372 132-0

Fax +49 9372 132-406

info@wika.de

www.wika.de