

Diaphragm seal with threaded connection Flush diaphragm or with protective plate Model 990.36

WIKA data sheet DS 99.03



for further approvals
see page 4

Applications

- For highly viscous or crystallising media
- For hard and abrasive media
- Screed and concrete pumps
- Mining, tunnelling and overburden haulage
- Hygienic applications

Special features

- Threaded connection for screwing in directly
- Flush diaphragm with compact dimensions
- High pressures for the process industry
- Version with protective plate for increased wear resistance
- Vacuum measuring ranges



Model 990.36 with flush diaphragm

Description

Diaphragm seals are used for the protection of pressure measuring instruments in applications with difficult media. In diaphragm seal systems, the diaphragm of the diaphragm seal effects the separation of the instrument and the medium. The pressure is transmitted to the measuring instrument via the system fill fluid which is inside the diaphragm seal system.

For the implementation of demanding customer applications, there is a wide variety of designs, materials and system fill fluids available.

For further technical information on diaphragm seals and diaphragm seal systems see IN 00.06 "Application, operating principle, designs".

The model 990.36 small diaphragm seal with threaded connection and flush diaphragm is suitable for versatile applications. This diaphragm seal, despite its compact dimensions, can also be used for high pressures. Optionally, there are versions available in hygienic design or with protective plates.

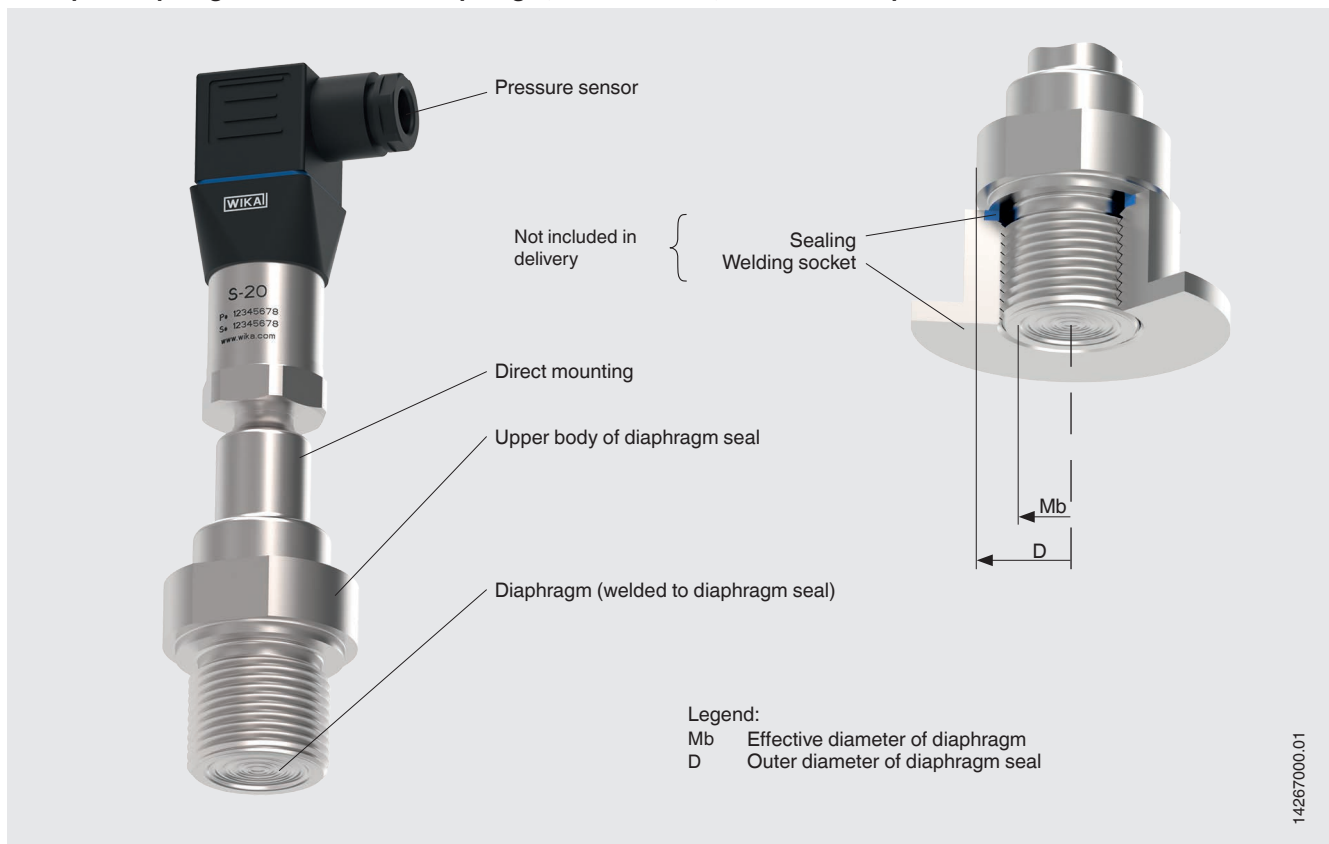
Mounting of the diaphragm seal to the measuring instrument may be made via a direct connection, for high temperatures via a cooling element or via a flexible capillary.

For the material selection WIKA offers a variety of solutions, in which the diaphragm seal and the wetted parts can be made of identical or different materials. The wetted parts can, as an alternative, be coated.

Specifications

Model 990.36	Standard	Option
Permissible pressure	Depending on the process connection thread, see tables from page 5	Vacuum measuring ranges
Version	Flush diaphragm seal with diaphragm	<ul style="list-style-type: none"> ■ Flush diaphragm seal with protective plate ■ Flush diaphragm seal with hygienic connection
Level of cleanliness of wetted parts	Oil and grease free per ASTM G93-03 level F WIKA standard (< 1,000 mg/m ²)	<ul style="list-style-type: none"> ■ Oil and grease free per ASTM G93-03 level D and ISO 15001 (< 220 mg/m²) ■ Oil and grease free per ASTM G93-03 level C and ISO 15001 (< 66 mg/m²)
Origin of wetted parts	International	EU, CH, USA
Connection to the measuring instrument	Axial adapter	Axial adapter with G ½, G ¼, ½ NPT or ¼ NPT (female)
Type of mounting	Direct mounting	<ul style="list-style-type: none"> ■ Capillary ■ Cooling element
Design per NACE	-	<ul style="list-style-type: none"> ■ MR 0175 ■ MR 0103
Vacuum service (see IN 00.25)	Basic service	<ul style="list-style-type: none"> ■ Premium service ■ Advanced service
Instrument mounting bracket (only for capillary option)	-	<ul style="list-style-type: none"> ■ Form H per DIN 16281, 100 mm, aluminium, black ■ Form H per DIN 16281, 100 mm, stainless steel ■ Bracket for pipe mounting, for pipe outer Ø 20 ... 80 mm, steel (see data sheet AC 09.07)

Example: Diaphragm seal with flush diaphragm, model 990.36, with mounted pressure sensor



Material combinations for versions with diaphragm

Wetted parts		Maximum permissible process temperature ¹⁾ in °C [°F]	
Upper body of diaphragm seal	Diaphragm		
Stainless steel 1.4404 / 1.4435 (316L)	Stainless steel 1.4404 / 1.4435 (316L)	400 [752]	
Stainless steel 1.4435 (316L)	Stainless steel 1.4435 (316L)	400 [752]	
Stainless steel 1.4539 (904L)	Stainless steel 1.4539 (904L)		
Stainless steel 1.4541 (321)	Stainless steel 1.4541 (321)		
Stainless steel 1.4571 (316Ti)	Stainless steel 1.4571 (316Ti)		
Duplex 2205 (1.4462)	Duplex 2205 (1.4462)		300 [572]
Superduplex 2507 (1.4410)	Superduplex 2507 (1.4410)	400 [752]	
Hastelloy C22 (2.4602)	Hastelloy C22 (2.4602)		
Hastelloy C276 (2.4819)	Hastelloy C276 (2.4819)		
Monel 400 (2.4360)	Monel 400 (2.4360)		
Titanium class 2 (3.7035)	Titanium class 2 (3.7035)		
Titanium class 7 (3.7235)	Titanium class 11 (3.7225)		
Stainless steel 1.4435 (316L)	Wikaramic® coating		260 [500]
	PFA (perfluoroalkoxy) coating, FDA		
	PFA (perfluoroalkoxy) coating, antistatic		
	Gold plating		

Material combinations for versions with protective plate

Wetted parts		Permissible process temperature ¹⁾ of the sealing in °C [°F]
Upper body of diaphragm seal	Protective plate	
Stainless steel 1.4404 / 1.4435 (316L)	Stainless steel 1.4404 / 1.4435 (316L)	<ul style="list-style-type: none"> ■ FPM/FKM, Viton -10 ... +200 °C [14 ... 392 °F] ■ NBR -20 ... +100 °C [-4 ... +212 °F] ■ EPDM -50 ... +100 °C [-58 ... +212 °F]
Stainless steel 1.4571 (316Ti)	Stainless steel 1.4571 (316Ti)	
Hastelloy C22 (2.4602)	Hastelloy C22 (2.4602)	
Hastelloy C276 (2.4819)	Hastelloy C276 (2.4819)	
Monel 400 (2.4360)	Monel 400 (2.4360)	
Titanium class 2 (3.7035)	Titanium class 2 (3.7035)	
Titanium class 7 (3.7235)	Titanium class 11 (3.7225)	
Stainless steel 1.4435 (316L)	Wikaramic® coating	



¹⁾ The maximum permissible process temperature of the diaphragm seal system is limited by the joining method, by the system fill fluid and by the measuring instrument.

Process connection

Standard	Male thread	
	Standard	Option
Following DIN 3852-2	G ½	<ul style="list-style-type: none"> ■ G ¾ ■ G 1 ■ G 1 ½ ■ G 2
Following ASME B16.11	½ NPT	<ul style="list-style-type: none"> ■ ¾ NPT ■ 1 NPT ■ 1 ½ NPT ■ 2 NPT

Further material combinations for special process temperatures and process connections on request

Approvals

Logo	Description	Country
	EAC (option) Pressure equipment directive	Eurasian Economic Community
-	MTSCHS (option) Permission for commissioning	Kazakhstan
	3-A ¹⁾ (version with G 1 hygienic connection) Sanitary Standard This instrument is 3-A marked, based on a third party verification for conformance to the 3-A standard.	USA
-	CRN Safety (e.g. electr. safety, overpressure, ...)	Canada

1) To comply with the 3-A guidelines, the corresponding process adapter, approved in accordance with 3-A, must be used (see data sheet AC 09.20; model 910.61).

Certificates (option)

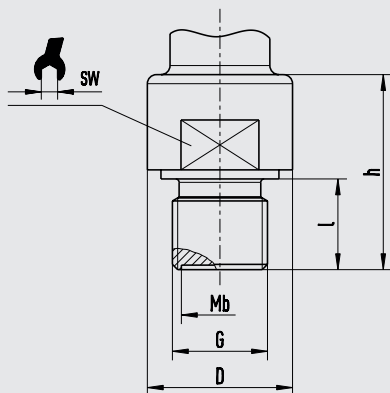
- 2.2 test report per EN 10204 (e.g. state-of-the-art manufacturing, material proof, indication accuracy for diaphragm seal systems)
- 3.1 inspection certificate per EN 10204 (e.g. material proof for wetted metal parts, indication accuracy for diaphragm seal systems)

Approvals and certificates, see website

Dimensions in mm [in]

Flush diaphragm seal with diaphragm

Thread following DIN 3852-2



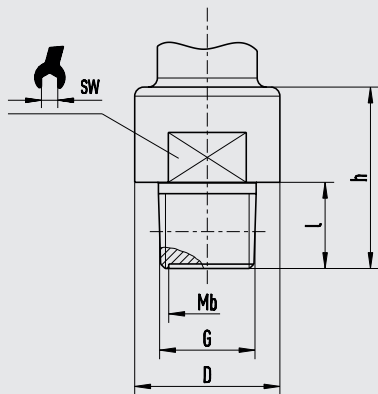
14266564.02

Legend:

- G Thread
- Mb Effective diameter of diaphragm
- SW Spanner width
- D Outer diameter of diaphragm seal

G	PN	Dimensions in mm [in]				
		h	l	Mb	SW	D
G 1/2	400	43 [1.693]	20 [0.787]	17 [0.669]	27 [1.063]	32 [1.26]
G 3/4		50 [1.969]		22 [0.866]		
G 1		59 [2.323]	28 [1.102]	25 [0.984]	41 [1.614]	45 [1.772]
G 1 1/2	250	63 [2.48]	30 [1.181]	40 [1.575]	55 [2.165]	60 [2.362]
G 2				52 [2.047]		

Thread following ASME B16.11



14332439.02

Legend:

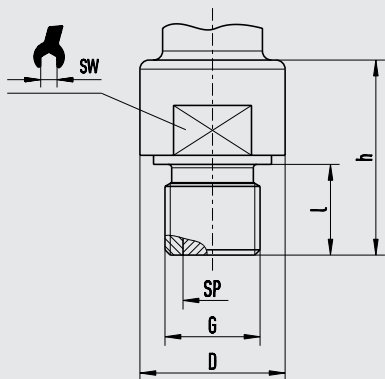
- G Thread
- Mb Effective diameter of diaphragm
- SW Spanner width
- D Outer diameter of diaphragm seal

G	PN	Dimensions in mm [in]				
		h	l	Mb	SW	D
1/2 NPT	600	40 [1.575]	19 [0.748]	14 [0.551]	27 [1.063]	32 [1.26]
3/4 NPT	400	50 [1.969]	20 [0.787]	17 [0.669]		
1 NPT	250	53 [2.087]	25 [0.984]	25 [0.984]	36 [1.417]	40 [1.575]
1 1/2 NPT	100	59 [2.323]	26 [1.024]	40 [1.575]	55 [2.165]	60 [2.362]
2 NPT		60 [2.362]	27 [1.063]	52 [2.047]		

Dimensions in mm [in]

Version: Diaphragm seal with protective plate

Thread following DIN 3852-2



14266629.02

Due to the high abrasion resistance of the protective plate, this version is particularly suitable for pressure measurements with abrasive media. The shock-resistant and abrasion-resistant protective plate increases the resilience of the diaphragm seal system. The protective plate is dimensioned sufficiently thickly that it can withstand abrasion by the medium for a long time.

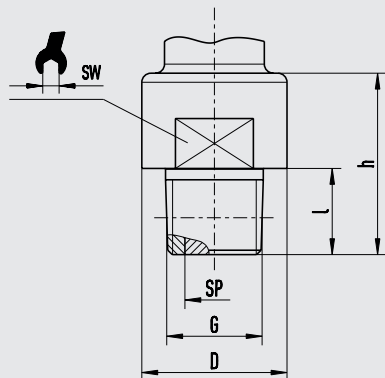
Legend:

G Thread
 SP Effective protective plate diameter
 SW Spanner width
 D¹⁾ Outer diameter of diaphragm seal

G	PN	Dimensions in mm [in]				
		h	l	SP	SW	D ¹⁾
G ½	400	43 [1.693]	20 [0.787]	15 [0.591]	27 [1.063]	32 [1.26]
G ¾		50 [1.989]				
G 1		59 [2.323]				
G 1 ½	250	61 [2.402]	27 [1.063]	36 [1.417]	55 [2.165]	55 [2.165]
G 2		63 [2.48]	30 [1.181]	40 [1.575]	60 [2.362]	68 [2.677]

1) With G 1 and G 1 ½ threads, the diaphragm seal geometry is designed as a hexagon

Thread following ASME B16.11



14332440.02

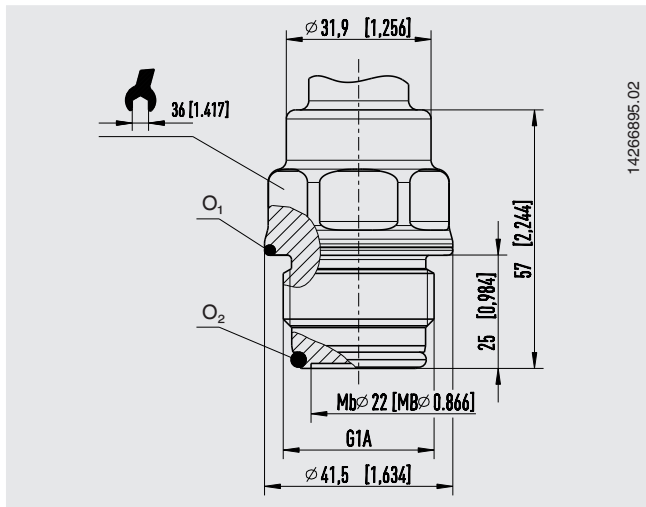
Legend:

G Thread
 SP Effective protective plate diameter
 SW Spanner width
 D Outer diameter of diaphragm seal

G	PN	Dimensions in mm [in]				
		h	l	SP	SW	D
½ NPT	600	40 [1.575]	19 [0.748]	15 [0.591]	27 [1.063]	32 [1.26]
¾ NPT	400	50 [1.969]	20 [0.787]			
1 NPT	250	53 [2.087]	25 [0.984]	24 [0.945]	36 [1.417]	40 [1.575]
1 ½ NPT	100	59 [2.323]	26 [1.024]	36 [1.417]	55 [2.165]	60 [2.362]
2 NPT		60 [2.362]	27 [1.063]	40 [1.575]	60 [2.362]	68 [2.677]

Dimensions in mm [in]

Version: G 1 hygienic connection



Material O-ring	PN	Temperature range	Conformity	Colour	Order number	
					O ₁	O ₂
EPDM 70	40 bar	-40 ... +145 °C	FDA 21 CFR 177.2600, USP XXV class VI and 3-A (18-03) Sanitary Standards class 2 (max. 8 % milk fat)	Black	14023833	14004173
FKM 75		-15 ... +200 °C	FDA 21 CFR 177.2600, USP XXIII class VI and 3-A (18-03) Sanitary Standards class 1		14337279	14004174

The model 990.36 diaphragm seal with G 1 hygienic connection has been specifically developed for the food, beverage and pharmaceutical industries.

Pressure measuring instruments with this G 1 hygienic process connection enable the connection of a number of aseptic process connections (e.g. clamp, threaded, VARINLINE® or NEUMO®) from the WIKA process adapter system (see model 910.61; data sheet DS 99.80).

Material: Stainless steel 316L / 1.4435

Surface finish quality of wetted parts:

Ra < 0.76 µm [< 30 µin] (option: Ra < 0.38 [< 15 µin])

Ordering information

Diaphragm seal:

Diaphragm seal model / Process connection (process connection standard, thread, nominal pressure rating) / Material (upper body of diaphragm seal, diaphragm or protective plate with sealing) / Flushing connection (plug screw) / Connection to the measuring instrument / Level of cleanliness of wetted parts / Origin of wetted parts / Certificates

Diaphragm seal system:

Diaphragm seal model / Process connection (process connection standard, thread, nominal pressure rating) / Material (upper body of diaphragm seal, diaphragm or protective plate with sealing) / Flushing connection (plug screw) / Pressure measuring instrument model (per data sheet) / Mounting (direct mounting, cooling element, capillary) / min. and max. process temperature / min. and max. ambient temperature / Vacuum service / System fill fluid / Certificates / Height difference / Level of cleanliness of wetted parts / Origin of wetted parts / Instrument mounting bracket

© 02/2013 WIKA Alexander Wiegand SE & Co. KG, all rights reserved.
The specifications given in this document represent the state of engineering at the time of publishing.
We reserve the right to make modifications to the specifications and materials.

WIKA data sheet DS 99.03 · 07/2021

Page 8 of 8

Your WIKA Sales Partner



ICS Schneider Messtechnik GmbH
Briesestrasse 59
D-16562 Hohen Neuendorf / OT Bergfelde
Tel.: +49 3303 5040-66
Fax: +49 3303 5040-68
E-Mail: info@ics-schneider.de



WIKA Alexander Wiegand SE & Co. KG
Alexander-Wiegand-Straße 30
63911 Klingenberg/Germany
Tel. +49 9372 132-0
Fax +49 9372 132-406
info@wika.de
www.wika.de