

## Illumination unit For sight glass level indicator Model LGI

WIKA data sheet LM 33.02



for further approvals  
see page 2

### Applications

- Better identification of liquid and gaseous phase
- Direct indication of the level
- Chemical industry, petrochemical industry, oil and natural gas extraction (on- and offshore), shipbuilding, machine building, power generating equipment, power plants

### Special features

- Simple mounting of the illumination system
- Illumination types available for different applications
- Operating temperature: depending on illumination method
- Matching to the respective length of the glass indicator



Illumination unit with LED light source, model LGI-L

### Description

An illumination unit model LGI can be used for transparent or refraction indicators. It improves the identification of the transition from the liquid to the gaseous phase.


There are various systems available, which can be matched to the respective application. LEDs are used as light sources.

## Model overview


Model	Description	Temperature range
LGI-L	Illumination unit with LED light source	-40 ... +85 °C
LGI-LD	Illumination unit with LED light source, Ex d	-20 ... +60 °C
LGI-RDM	Illumination unit with LED light source, Ex d	-30 ... +70 °C
LGI-LE	Illumination unit with LED light source, Ex e	-25 ... +60 °C

## Approvals



### ■ Model LGI-L

Logo	Description	Country
	<b>EU declaration of conformity</b> RoHS directive	European Union

### ■ Model LGI-RDM

Logo	Description	Country
	<b>EU declaration of conformity</b> <ul style="list-style-type: none"> <li>■ Low voltage directive</li> <li>■ RoHS directive</li> <li>■ ATEX directive</li> </ul> Hazardous areas II 2G Ex db op is IIC T4 Gb II 2D Ex tb IIIC T100 °C Db I M2 Ex db op is I Mb	European Union
	<b>IECEx (option)</b> Hazardous areas Ex db op is IIC T6/T4 Gb Ex tb IIIC T80°C/T100°C Db Ex db op is I Mb	International

### ■ Model LGI-LD

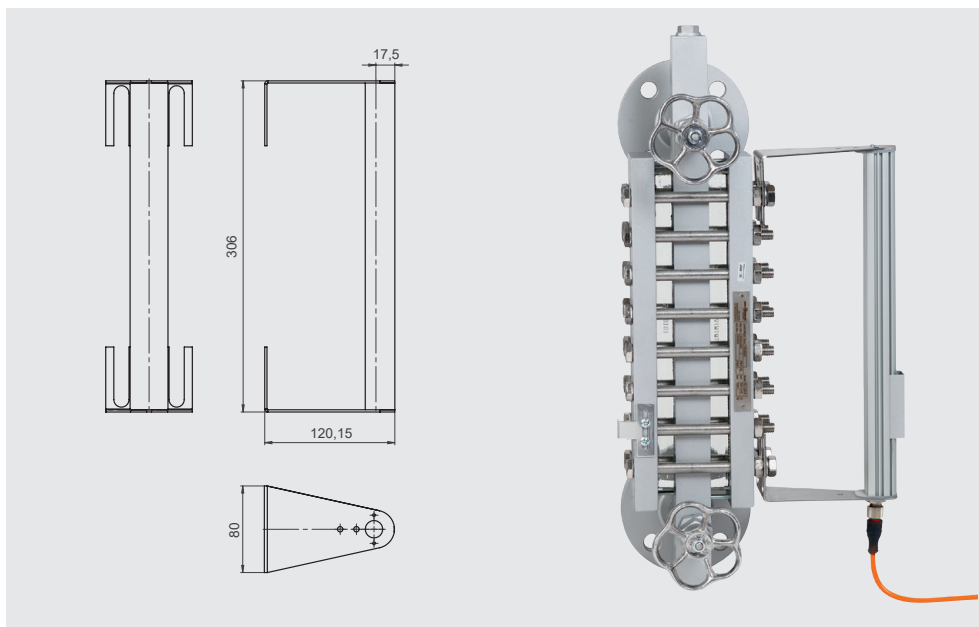
Logo	Description	Country
	<b>EU declaration of conformity</b> <ul style="list-style-type: none"> <li>■ Low voltage directive</li> <li>■ RoHS directive</li> <li>■ ATEX directive</li> </ul> Hazardous areas II 2GD Ex db IIC T6 Gb II 2GD Ex tb IIIC T54°C ... T74°C Db IP66	European Union
	<b>IECEx (option)</b> Hazardous areas Ex db IIC T6 Gb Ex tb IIIC T54°C ... T74°C Db IP66	International

### ■ Model LGI-LE

Logo	Description	Country
	<b>EU declaration of conformity</b> <ul style="list-style-type: none"> <li>■ Low voltage directive</li> <li>■ RoHS directive</li> <li>■ ATEX directive</li> </ul> Hazardous areas II 2G Ex eb mb op is IIC T4 Gb II 2D Ex tb IIIC T130°C Db	European Union
		

Approvals and certificates, see website

**Illumination unit with LED light source**  
**For sight glass level indicator (transparent indicator)**  
**Model LGI-L**

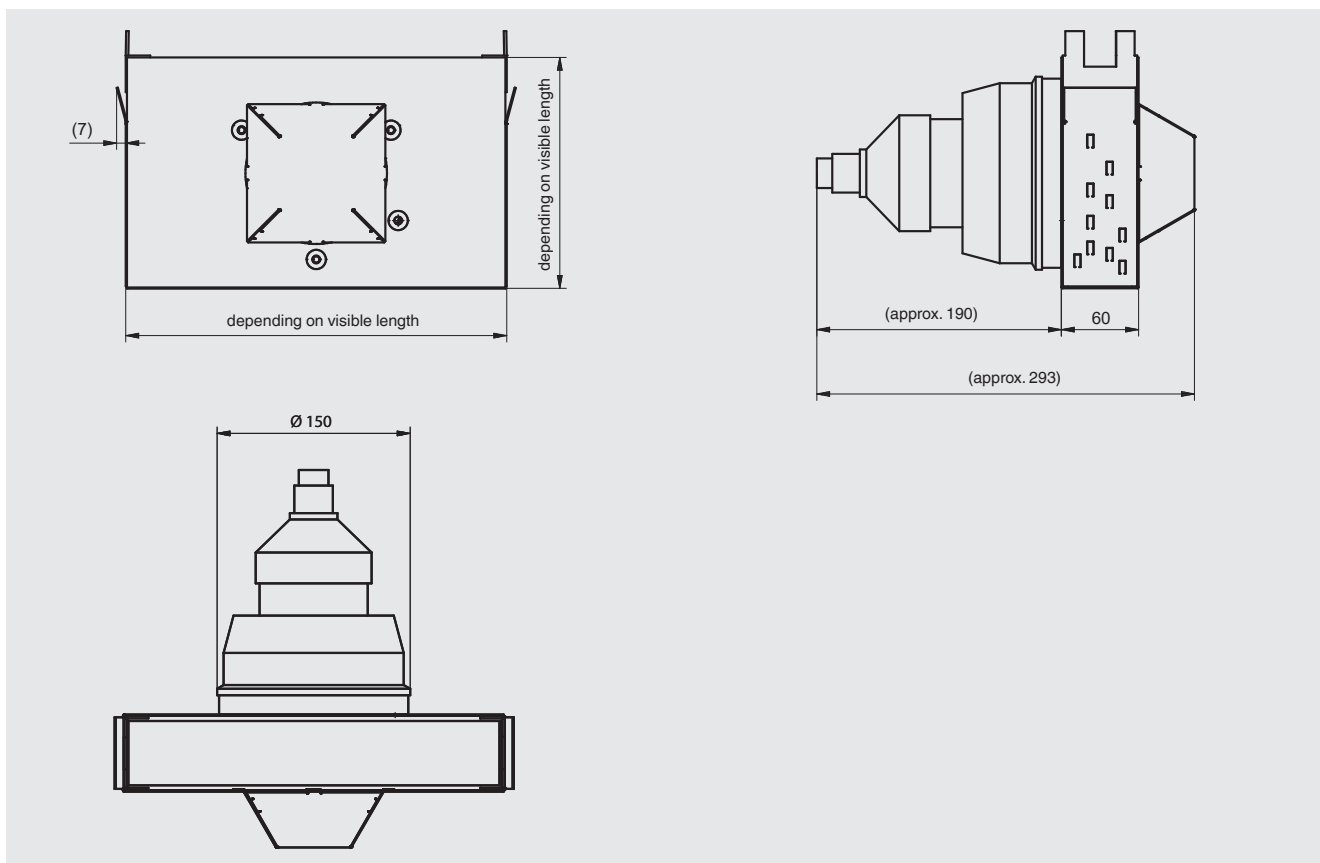


Specifications	
Light source used	LumiFlex Economy 35
Operating voltage	DC 24 V
Electrical power	4.8 W/m
Current	200 mA/m
Length	To 1,600 mm
Case material	Aluminium
Service life	40,000 h
Electrical connection	M12 connector (male)
<b>Dimensions of illumination</b>	
Length	Depending on visible length
Width	35 mm
Depth	120 mm
Ambient temperature	-40 ... +85 °C
Ingress protection	IP66
Weight	Length-dependent
Accessories (optional)	Connection cable

**Illumination unit with LED light source**  
**For sight glass level indicator (transparent indicator)**  
**Model LGI-LD**



II 2GD Ex db IIC T6 Gb / II 2GD Ex tb IIIC T54°C ... T74°C Db IP66



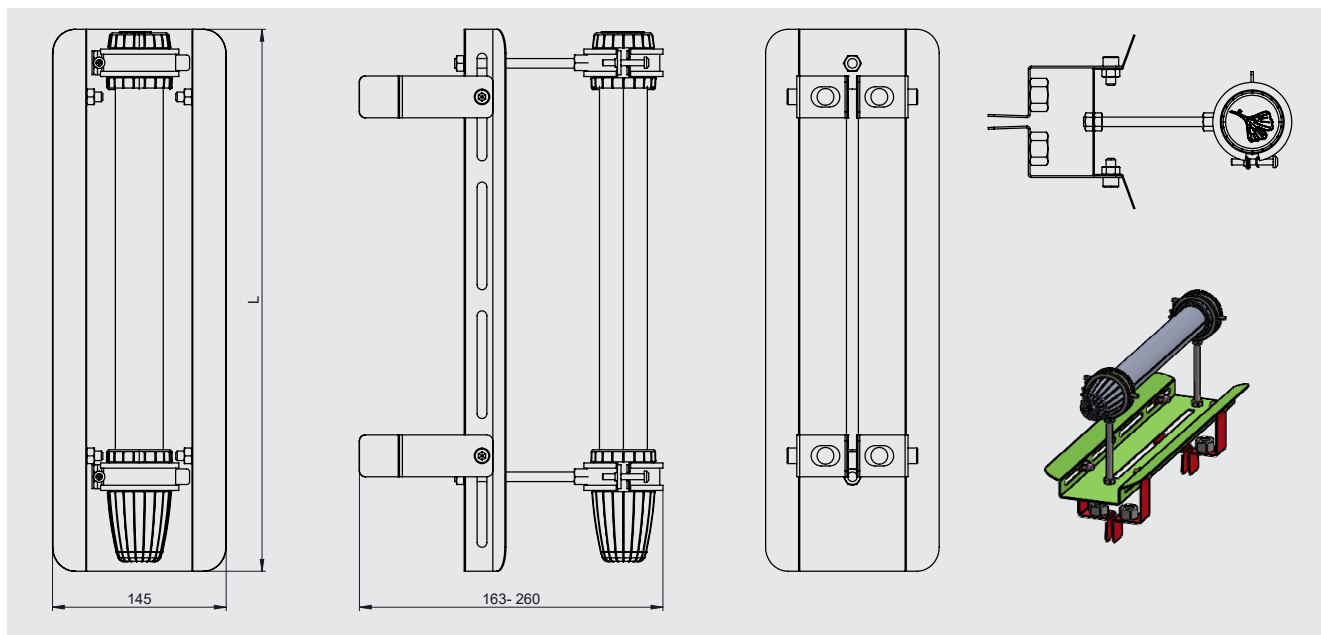
Specifications	
Light source used	Cortem LampLED 8 W
Operating voltage	AC 230 V
Frequency	50 ... 60 Hz
Electrical power	8 W
Case material	Stainless steel 1.4301
Service life	2,000 h
Electrical connection	Cable entry ¼ NPT female (adapter and cable gland optional)
<b>Dimensions of light control box</b>	
Length	Depending on visible length
Width	58 mm
Depth	180 ... 300 mm <sup>1)</sup>
Ambient temperature	-20 ... +60 °C
Ingress protection	IP66
Weight	Length-dependent

1) Depending on the version

**Illumination unit with LED tubular light fitting**  
**For sight glass level indicators (refraction indicator)**  
**Model LGI-RDM**



II 2G Ex db op is IIC T4 Gb / II 2D Ex tb IIIC T100 °C Db

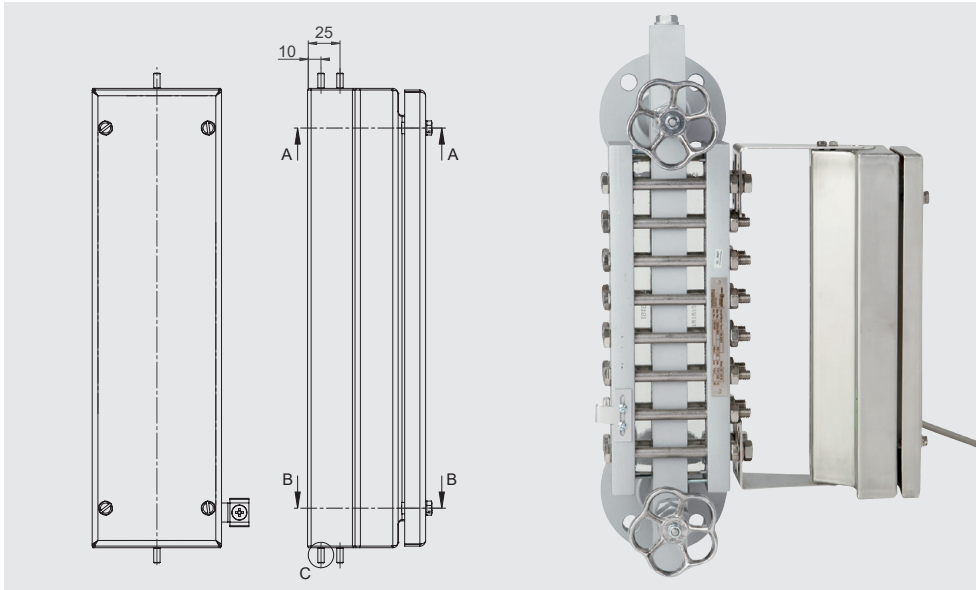


Specifications	
<b>Light source used</b>	LED tube luminaire series 6036
<b>Operating voltage</b>	AC 110 ... 240 V / DC 110 ... 240 V
<b>Frequency</b>	50 ... 60 Hz
<b>Electrical power</b>	13 W
<b>Case material</b>	Polycarbonate
<b>Service life</b>	Up to 100,000 h
<b>Electrical connection</b>	Cable H07RN-F 2 x 1.5 mm <sup>2</sup> , 5 m
<b>Dimensions of illumination unit</b>	
Length	453 mm
Width	145 mm
Depth	163 ... 260 mm
<b>Ambient temperature</b>	-30 ... +70 °C
<b>Ingress protection</b>	IP66/IP67
<b>Weight</b>	Approx. 2.5 kg



**Illumination unit with LED light source**  
**For sight glass level indicators (transparent indicator)**  
**Model LGI-LE**

II 2G Ex eb mb op is IIC T4 Gb / II 2D Ex tb IIIC T130°C Db



Specifications	
<b>Light source used</b>	TNCLS backlight
<b>Operating voltage</b>	<ul style="list-style-type: none"> <li>■ AC 220 ... 240 V</li> <li>■ AC 254 V</li> </ul>
<b>Frequency</b>	50 ... 60 Hz
<b>Electrical power</b>	Approx. 4 W/m
<b>Case material</b>	Stainless steel 1.4404 (316L)
<b>Service life</b>	60,000 h
<b>Dimensions</b>	
Length	Depending on visible length
Width	100 mm
Depth	128 mm
<b>Ambient temperature</b>	-20 ... +70 °C
<b>Ingress protection</b>	IP66
<b>Weight</b>	7.3 kg/m

**Ordering information**

Model / Light source / Ambient temperature min./max. / Visible length / Sight glass level indicator present (serial number, order confirmation number) / Approvals / Options

© 12/2021 WIKA Alexander Wiegand SE & Co. KG, all rights reserved.  
 The specifications given in this document represent the state of engineering at the time of publishing.  
 We reserve the right to make modifications to the specifications and materials.

Your WIKA Sales Partner



**ICS Schneider Messtechnik GmbH**  
 Briesestrasse 59  
 D-16562 Hohen Neuendorf / OT Bergfelde  
 Tel.: +49 3303 5040-66  
 Fax: +49 3303 5040-68  
 E-Mail: info@ics-schneider.de



**WIKAL**  
**WIKAL Alexander Wiegand SE & Co. KG**  
 Alexander-Wiegand-Straße 30  
 63911 Klingenberg/Germany  
 Tel. +49 9372 132-0  
 Fax +49 9372 132-406  
 info@wika.de  
 www.wika.de