

Suspended float switch For water and wastewater Model RLS-6000

WIKA data sheet LM 50.09

Applications

- Wastewater lifting stations
- Pumping stations
- Settling pits
- Particle-laden media

Special features

- Adjustable switch position through screw-adjustable float
- Switch rod actuator, potential-free reed switch
- Switch contact freely definable as normally closed, normally open or change-over contact
- Also reliable in strongly contaminated media

Description

The model RLS-6000 suspended float switch is used for monitoring strongly contaminated media, e.g. in wastewater lifting stations and pumping stations. The adjustable float rises and falls with the liquid level and moves the float rod depending on the level. When the float rod reaches the end position in the case, the magnet at the end of the float rod actuates the reed switch potted inside.

The triggering of the reed contacts by the permanent magnet is contact-free and thus free from wear. The float can be mounted and adjusted via a screw connection. This enables easy installation and fine adjustment of the desired switch point over a length of ~ 50 mm (~ 2.0 in).



Suspended float switch, model RLS-6000

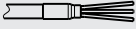
Due to the special mechanical design of the float system, the model RLS-6000 float switch is also suitable for adhesive media. Due to the large-dimension float body, adhesions will not affect the function of the float switch. During maintenance, cleaning as required can prevent a too strong ballasting of the float by deposits.

Specifications

Suspended float switch, model RLS-6000				
Measuring principle	Potential-free switching reed contact is triggered by a magnet at the end of the switch rod.			
Measuring ranges	Sensor length: Freely selectable from 150 ... 1,000 mm (6 ... 39.2 in)			
Switching output	1 switching output, alternatively normally open (NO), normally closed (NC) or change-over (SPDT) contact - on rising level 2 switching outputs on request			
Switch position	see "Dimensions in mm (in)" L - 10 mm (0.4 in)			
Switching power	Normally open, normally closed: AC 100 V; 10 VA; 0.5 A DC 100 V; 10 W; 0.5 A Change-over contact: AC 100 V; 5 VA; 0.25 A DC 100 V; 5 W; 0.25 A			
Accuracy	±3 mm (~0.12 in) switch point accuracy incl. hysteresis, non-repeatability			
Mounting position	Vertical			
Process connection	G ½			
Float model	Outer Ø D	Height	Density	Material
■ up to 499 mm (19.6 in) sensor length	60 mm (2.4 in)	90 mm (3.5 in)	≥ 1,000 kg/m ³ (62.4 lbs/ft ³)	PP
■ from 500 mm (19.7 in) sensor length	100 mm (3.9 in)	170 mm (6.7 in)	≥ 1,000 kg/m ³ (62.4 lbs/ft ³)	PP
Max. pressure strength	Ambient pressure			
Material	Probe tube: Stainless steel 316Ti Float: PP Process connection: PVC Case: PVC Electrical connection: See table below			
Permissible temperatures	-10 ... +60 °C (14 ... 140 °F) -10 ... +60 °C (14 ... 140 °F) -10 ... +60 °C (14 ... 140 °F)			
■ Medium				
■ Ambient				
■ Storage				

Electrical connections	Ingress protection per IEC/EN 60529	Protection class	Material	Cable length
Cable outlet	IP66	II	PVC	■ 2 m (6.5 ft)
Cable outlet	IP66	II	PUR	■ 5 m (16.4 ft) other lengths on request

Connection diagram

Cable outlet		
	Normally open/normally closed (NO/NC)	Change-over contact (SPDT)
	S1 WH —┐ BN —┘	S1 WH —┐ BN —┘ GN —┘

Legend

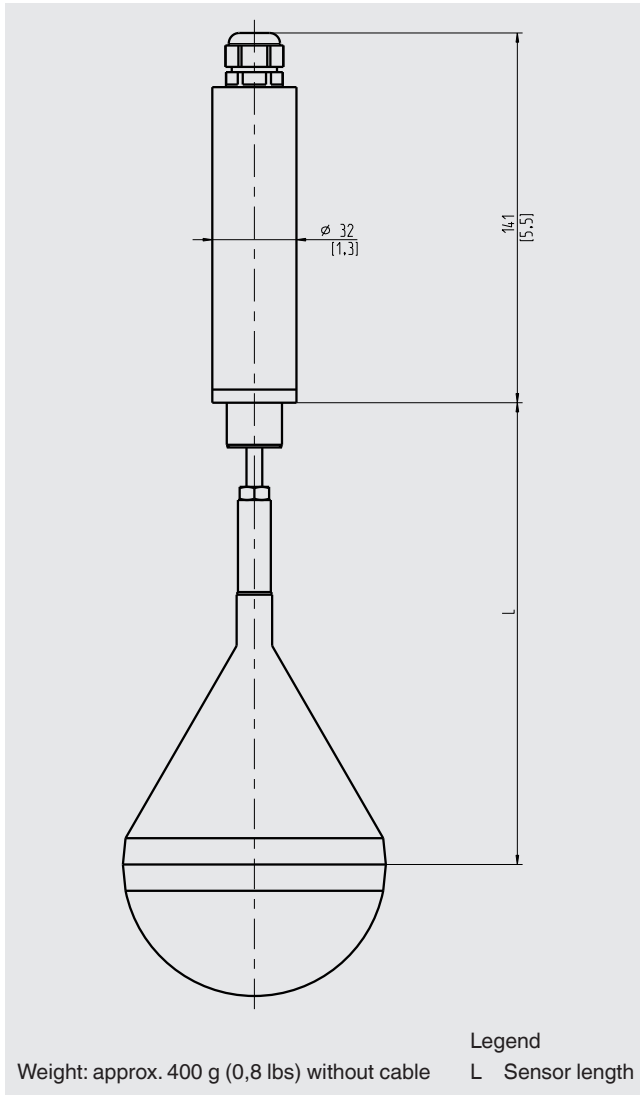
S1	Switch point 1
WH	White
BN	Brown
GN	Green

Electrical safety

Insulation voltage

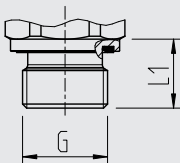
DC 2,120 V

Dimensions in mm (in)



Process connection

Installation from outside



G

L₁

G ½

12 mm

Approvals

Logo	Description	Country
	EU declaration of conformity <ul style="list-style-type: none">■ Low voltage directive■ RoHS directive	European Union

Manufacturer's information and certificates

Logo	Description
-	China RoHS directive

Approvals and certificates, see website

Ordering information

Model / Switching function / Electrical connection / Cable length / Sensor length

© 01/2017 WIKA Alexander Wiegand SE & Co. KG, all rights reserved.
The specifications given in this document represent the state of engineering at the time of publishing.
We reserve the right to make modifications to the specifications and materials.

Your WIKA Sales Partner



ICS Schneider Messtechnik GmbH

Briesestrasse 59

D-16562 Hohen Neuendorf / OT Bergfelde

Tel.: +49 3303 5040-66

Fax: +49 3303 5040-68

E-Mail: info@ics-schneider.de



WIKA Alexander Wiegand SE & Co. KG

Alexander-Wiegand-Straße 30

63911 Klingenberg/Germany

Tel. +49 9372 132-0

Fax +49 9372 132-406

info@wika.de

www.wika.de