

Bourdon tube pressure switch Stainless steel version Model BWX

WIKA data sheet PV 32.20



For further approvals,
see page 5

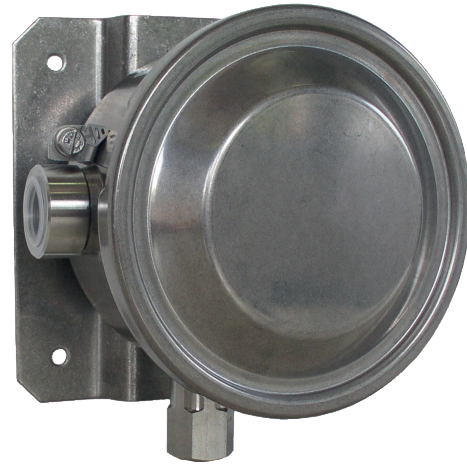
Process Performance Series

Applications

- Pressure monitoring and control of processes
- Safety-critical applications in general process instrumentation, especially in the chemical and petrochemical industries, oil and gas industries, power generation incl. nuclear power plants, water/wastewater industries, mining
- For gaseous and liquid, aggressive and highly viscous or contaminated media, also in aggressive environments

Special features

- Robust switch enclosure from 316L, IP66, NEMA 4X
- Setting ranges from 0 ... 2.5 bar up to 0 ... 1,000 bar, vacuum ranges
- Intrinsic safety Ex ia available
- Switch point repeatability < 0.5 %
- 1 or 2 independent switch points, high switching power up to AC 250 V, 20 A, no supply voltage needed



Bourdon tube pressure switch model BWX

Description

These high-quality pressure switches have been developed especially for safety-critical applications. The high quality of the products and manufacturing in accordance with ISO 9001 ensure reliable monitoring of your plant. In production, the switches are traced by quality assurance software at every step and subsequently are 100 % tested. All wetted materials are from stainless steel as a standard.

In order to ensure as flexible operation as possible, the pressure switches are fitted with microswitches, which enable the switching of an electrical load of up to AC 250 V, 20 A directly. For lower switching power ratings, such as for PLC applications, argon gas-filled microswitches with gold-plated contacts can be selected.

Depending on the application, the appropriate variant for the contact version and the electrical connection can be selected; e.g. adjustable dead band instead of fixed dead band is often a feature necessary for control processes.

For applications with special requirements on the wetted parts, a version with Monel® is available.

By using a Bourdon tube measuring system, the model BWX pressure switch is extremely robust and guarantees optimal operating characteristics and the highest measuring performances, with repeatability lower than 0.5 % of span.

For safety applications, the pressure switch is optionally available in a SIL 2-qualified or a SIL 3-qualified version.

Specifications

| Basic information | |
|------------------------|--|
| Version | Bourdon tube pressure switch |
| Special design feature | <ul style="list-style-type: none"> ■ Version for hazardous areas (Ex ia) ■ For oxygen, oil- and grease-free ■ Per NACE ¹⁾ MR0175 / ISO 15156, use in H₂S-containing environments in oil and gas production ■ Per NACE ¹⁾ MR0103 / ISO 17945, metals resistant to sulphide stress cracking ■ Version for hydrogen (H₂) applications ■ Drying of wetted parts ■ Offshore version ■ Tropical version (suitable for environments with increased air humidity) ■ Version for ammonia applications ■ Geothermal version ■ Low-temperature version to -60 °C ■ Assembled as a diaphragm seal system |
| Contact version | → See table "Contact version" |
| Function | <ul style="list-style-type: none"> ■ 1 x SPDT (single pole double throw) ■ 2 x SPDT (single pole double throw) ■ 1 x DPDT (double pole double throw) <p>The DPDT function is realised with 2 simultaneously triggering SPDT microswitches, within 0.2 % of span.</p> |
| Dead band | <ul style="list-style-type: none"> ■ 1 or 2 contacts with fixed dead band ■ 1 or 2 contacts with adjustable dead band ■ 1 contact with fixed dead band and 1 contact with adjustable dead band |
| Dielectric strength | Safety class I (IEC 61298-2: 2008) |
| Switch enclosure | |
| Design | Case cover with bayonet lock, protection against unauthorised access by lead sealing possible. Laser-engraved product label from stainless steel. |
| Material | Stainless steel 316L |
| Mounting ²⁾ | <ul style="list-style-type: none"> ■ Direct mounting ■ Wall bracket from stainless steel AISI 304 ■ Mounting bracket for 2" pipe mounting from stainless steel AISI 304 |

1) General information about NACE standards; see data sheet IN 00.21

2) → See page 7 for permissible mounting positions

| Contact version | | Electrical rating (resistive load) | | Suitable for Ex ia option |
|----------------------------------|---|------------------------------------|--|---------------------------|
| | | AC | DC | |
| With fixed dead band | | | | |
| UN | 1 x SPDT, silver | 250 V, 15 A | 24 V, 2 A, 125 V, 0.5 A, 220 V, 0.25 A | No |
| US | 1 x SPDT, silver, hermetically sealed, argon gas filling ¹⁾ | 250 V, 15 A | 24 V, 2 A, 220 V, 0.5 A | Yes |
| UO | 1 x SPDT, gold-plated, hermetically sealed, argon gas filling ¹⁾ | 125 V, 1 A | 24 V, 0.5 A | Yes |
| UG | 1 x SPDT, gold-plated | 125 V, 1 A | 24 V, 0.5 A | Yes |
| DN | 2 x SPDT or 1 x DPDT, silver | 250 V, 15 A | 24 V, 2 A, 125 V, 0.5 A, 220 V, 0.25 A | No |
| DS | 2 x SPDT or 1 x DPDT, silver, hermetically sealed, argon gas filling ¹⁾ | 250 V, 15 A | 24 V, 2 A, 220 V, 0.5 A | Yes |
| DO | 2 x SPDT, or 1 x DPDT gold-plated, hermetically sealed, argon gas filling ¹⁾ | 125 V, 1 A | 24 V, 0.5 A | Yes |
| DG | 2 x SPDT or 1 x DPDT, gold-plated | 125 V, 1 A | 24 V, 0.5 A | Yes |
| With adjustable dead band | | | | |
| UR | 1 x SPDT, silver | 250 V, 20 A | 24 V, 2 A, 220 V, 0.5 A | Yes ²⁾ |
| RR ³⁾ | 2 x SPDT or 1 x DPDT, silver | 250 V, 15 A | 24 V, 2 A, 220 V, 0.5 A | Yes ²⁾ |

| Contact version | | Electrical rating (resistive load) | | Suitable for Ex ia option |
|--|------------------------------------|------------------------------------|-------------------------|---------------------------|
| | | AC | DC | |
| With fixed dead band and adjustable dead band | | | | |
| DR ³⁾ | 2 x SPDT, silver (1 x UN + 1 x UR) | 250 V, 15 A | 24 V, 2 A, 220 V, 0.5 A | Yes ²⁾ |

1) Permissible ambient temperature range: -30 ... +70 °C

2) WIKA recommends argon gas-filled contact versions, use of adjustable dead band allowed.

3) Information on switching performance for this contact version on request

| Accuracy specifications | |
|-------------------------|----------------------------------|
| Set point repeatability | ≤ 0.5 % of span of setting range |
| Dead band | → See table "Setting range" |

Setting range

| Setting range (=working range) | Proof pressure | Fixed dead band | | Adjustable dead band |
|-----------------------------------|----------------|---------------------------------------|--|---------------------------|
| | | 1 contact UN, US, UO, UG in bar | 2 contacts DN, DS, DO, DG in bar | 1 contact UR in bar |
| -1 ... +1.5 | 4.5 | ≤ 0.15 | ≤ 0.30 | 0.35 ... 1.10 |
| -1 ... +5 | 12 | ≤ 0.20 | ≤ 0.30 | 0.55 ... 1.70 |
| -1 ... +15 | 30 | ≤ 0.30 | ≤ 0.40 | 1.40 ... 3.10 |
| 0 ... 2.5 | 4.5 | ≤ 0.15 | ≤ 0.30 | 0.35 ... 1.10 |
| 0 ... 6 | 12 | ≤ 0.20 | ≤ 0.30 | 0.55 ... 1.70 |
| 0 ... 16 | 30 | ≤ 0.30 | ≤ 0.40 | 1.40 ... 3.10 |
| 0 ... 40 | 75 | ≤ 0.60 | ≤ 0.70 | 2.10 ... 6.00 |
| 0 ... 100 | 160 | ≤ 2 | ≤ 2 | 6 ... 17 |
| 0 ... 160 | 210 | ≤ 3 | ≤ 3 | 13 ... 35 |
| 0 ... 250 | 330 | ≤ 5 | ≤ 5 | 21 ... 65 |
| 0 ... 400 | 480 | ≤ 8 | ≤ 8 | 26 ... 93 |
| 0 ... 600 | 720 | ≤ 12 | ≤ 12 | 40 ... 115 |
| 0 ... 1,000 ¹⁾ | 1,200 | ≤ 20 | ≤ 30 | 75 ... 190 |

1) Wetted parts, Bourdon tube: Inconel 718 (2.4668), process connection: Stainless steel AISI 316L

Distance between set points

For versions with 2 x SPDT the distance between the set points must be > 5 % of the respective span.

Set point adjustment

The set point can be specified by the customer or factory-set within the setting range.

After unscrewing the cover, set point adjustment can be made using the adjustment screw, which is fastened to the switch and thus secured against loss.

The set point (SP) and the switching direction need to be specified (e.g. SP1: 30 bar falling and SP2: 60 bar rising).

The set point is selectable within the entire setting range. For optimal performance we suggest to adjust the set point between 25 ... 75 % of the setting range. In the following example, the maximum possible setting range is shown to be dependent upon the switching direction.

Example

Setting range: 0 ... 100 bar with one switch contact

Repeatability: 0.5 % of 100 bar = 0.5 bar

Dead band: ≤ 2 bar → See table "Setting range"

Non-settable range: 2 x repeatability + dead band = 2 x 0.5 bar + 2 bar = 3 bar

Rising pressure: Set point can be adjusted between 3 ... 100 bar

Falling pressure: Set point can be adjusted between 0 ... 97 bar

→ See operating instructions for further details.

| Process connection | |
|--------------------------|--|
| Standard | <ul style="list-style-type: none"> ■ ANSI/ASME B1.20.1 ■ DIN EN ISO 228 |
| Size | |
| ANSI/ASME B1.20.1 | <ul style="list-style-type: none"> ■ ¼ NPT, female thread ■ ½ NPT, female thread via adapter ■ ½ NPT, male thread via adapter |
| DIN EN ISO 228 | <ul style="list-style-type: none"> ■ G ¼, female thread via adapter ■ G ½ A, male thread via adapter ■ G ¼ A, male thread via adapter |
| Material (wetted) | |
| Sensor element | Depending on the selected version |
| Process connection | → See table "Wetted parts" |


Other process connections on request

| Wetted parts | | |
|--|----------------------------------|---------------------------|
| Version | Bourdon tube | Process connection |
| Standard | Stainless steel AISI 316L | |
| Setting range: 0 ... 1,000 bar | Stainless steel 17-4PH® (1.4542) | Stainless steel AISI 316L |
| NACE Setting range: 0 ... 40 to 0 ... 400 bar | Monel® 400 | Stainless steel AISI 316L |
| Monel® Setting range: 0 ... 40 to 0 ... 400 bar | Monel® 400 | |










| Electrical connection | |
|---------------------------|---|
| Connection type | <ul style="list-style-type: none"> ■ Female thread ½ NPT ■ Female thread M20 x 1.5 ■ Female thread ¾ NPT, G ½, G ¾, M 20 x 1.5 ■ Cable gland non-armoured, nickel-plated brass ■ Cable gland non-armoured, stainless steel (AISI 304) ■ Cable gland armoured, nickel-plated brass ■ Cable gland armoured, stainless steel (AISI 304) ■ MIL connector, 7-pin, DTL 5015 |
| Wire cross-section | Use 0.5 ... 1.5 mm ² (20 ... 16 AWG) for internal terminal block (also suitable for cable lugs). For the grounding cable connection to the protective conductor use max. 4 mm ² for the internal and external screw. |
| Pin assignment | Connection details are given on the product label of the instrument. Connection terminals and the ground terminal are appropriately marked. |

| Operating conditions | | |
|--|---------------------------------|--|
| Medium temperature range | -40 ... +85 °C | |
| Ambient temperature range | T6/T85°C | T _a -60 ... +60 °C |
| | T4/T135°C | T _a -60 ... +85 °C |
| | Non-Ex versions | <ul style="list-style-type: none"> ■ -40 ... +85 °C ■ -60 ... +85 °C |
| Ingress protection of the complete instrument | IP66 per EN/IEC 60529 (NEMA 4X) | |
| Weight | Approx. 2.0 kg | |

Approvals

| Logo | Description | Region |
|---|---|----------------|
|  | EU declaration of conformity | European Union |
| | Pressure equipment directive PED, annex 1, category IV, safety accessories, module B + D | |
| | Low voltage directive | |
| | RoHS directive | |


Optional approvals

| Logo | Description | Region |
|--|--|-----------------------------|
|   | EU declaration of conformity | European Union |
| | ATEX directive ¹⁾ I M 1 II 1 GD | |
|   | IECEX ¹⁾ Ex ia I Ma Ex ia IIC T6/T4 ²⁾ Ga Ex ia IIIC T85°C/T135°C ²⁾ Da IP66 | International |
|  | UKCA | United Kingdom |
| | Pressure equipment (safety) regulations | |
| | Electrical equipment designed for use within certain voltage limits in support of the electrical equipment (safety) regulations | |
| | Restriction of hazardous substances (RoHS) regulations Equipment and protective systems intended for use in potentially explosive atmospheres regulations ¹⁾ | |
|  | EAC | Eurasian Economic Community |
| | Low voltage directive (applies only for non-Ex versions) | |
| | Hazardous areas ¹⁾ | |
|  | Ex Ukraine Hazardous areas ¹⁾ | Ukraine |
|  | CCC Hazardous areas ¹⁾ | China |
|  | KCs Hazardous areas ¹⁾ | South Korea |
| - | ECAS Hazardous areas ¹⁾ | United Arab Emirates |

1) Double marking ATEX and IECEX on the same product label. Country-specific Ex marking according to selected option.

2) The temperature class is related to the ambient temperature range

Manufacturer's information and certificates

| Logo | Description |
|---|--|
|  | SIL 3-capable (option) Functional safety per IEC 61508 Contains performance level calculation per ISO 13849-1 |

Certificates (option)

| Certificates | |
|----------------------------------|--|
| Certificates | <ul style="list-style-type: none">■ 2.2 test report per EN 10204 (e.g. state-of-the-art manufacturing, indication accuracy)■ 3.1 inspection certificate per EN 10204 (e.g. indication accuracy) |
| Recommended calibration interval | 1 year (dependent on conditions of use) |

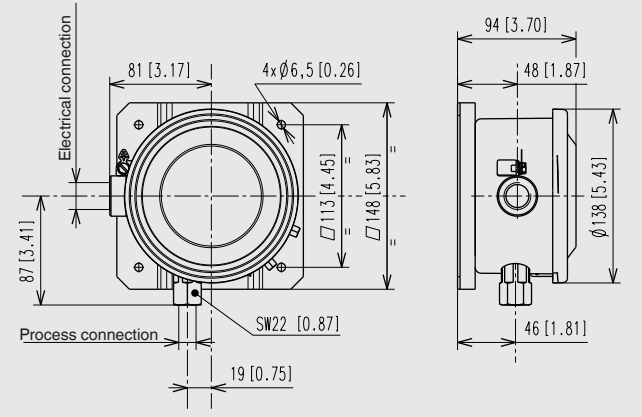
→ For approvals and certificates, see website

Safety-related characteristic values (only for Ex version)

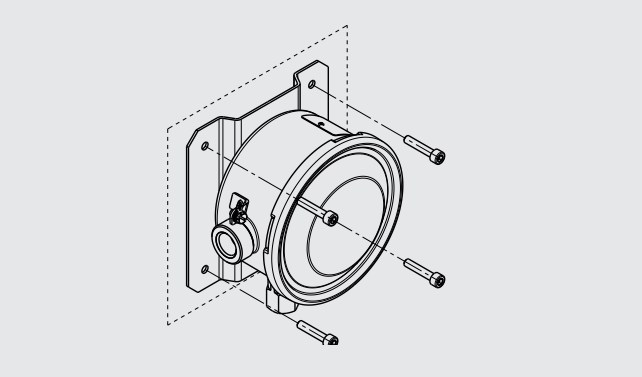
| Safety-related characteristic values (Ex) | |
|---|-------------------|
| Voltage | $U_i = DC\ 30\ V$ |
| Current | $I_i = 100\ mA$ |
| Power | $P_i = 750\ mW$ |
| Effective internal capacitance | $C_i = 0\ \mu F$ |
| Effective internal inductance | $L_i = 0\ mH$ |

Dimensions in mm [in]

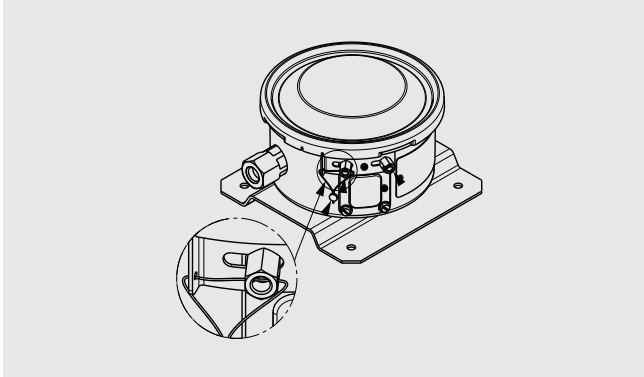
Model BWX



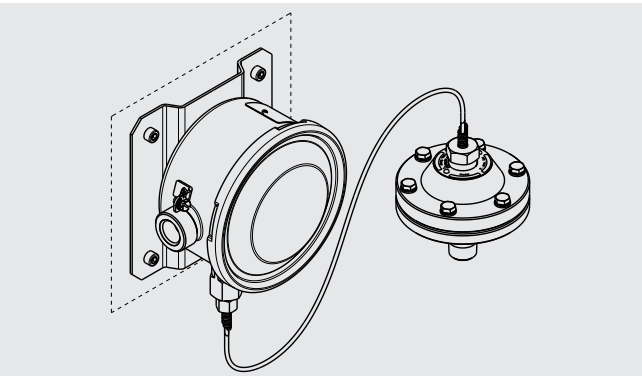
Permissible mounting position









With affixed lead seal



Diaphragm seal system example with model BA



Accessories and spare parts

| Model | Description |
|---|---|
|  | 910.15 Syphons → See data sheet AC 09.06 |
|  | 910.13 Overpressure protector → See data sheet AC 09.04 |
|  | IV10, IV11 Needle valve and multiport valve → See data sheet AC 09.22 |
|  | IV20, IV21 Block-and-bleed valve → See data sheet AC 09.19 |
|  | IVM Monoflange, process and instrument version → See data sheet AC 09.17 |
|  | BV Ball valve, process and instrument version → See data sheet AC 09.28 |

Ordering information

Model / Unit / Setting range of set point / Contact version / Process connection / Electrical connection / Wetted parts / Options

© 02/1995 WIKA Alexander Wiegand SE & Co. KG, all rights reserved.
 The specifications given in this document represent the state of engineering at the time of publishing.
 We reserve the right to make modifications to the specifications and materials.
 In case of a different interpretation of the translated and the English data sheet, the English wording shall prevail.

Your WIKA Sales Partner



ICS Schneider Messtechnik GmbH
 Briesestrasse 59
 D-16562 Hohen Neuendorf / OT Bergfelde
 Tel.: +49 3303 5040-66
 Fax: +49 3303 5040-68
 E-Mail: info@ics-schneider.de



WIKAL Alexander Wiegand SE & Co. KG
 Alexander-Wiegand-Straße 30
 63911 Klingenberg/Germany
 Tel. +49 9372 132-0
 info@wika.de
 www.wika.de