

Differential pressure switch Flameproof enclosure Ex d Models DA, DA10

WIKA data sheet PV 35.43



Process Performance Series

Applications

- Pressure monitoring and control of processes
- Safety-critical applications in general process instrumentation, especially in the chemical and petrochemical industries, oil and gas industries, power generation incl. nuclear power plants, water/wastewater industries, mining
- For gaseous, liquid and aggressive media, also in aggressive ambience
- Filter and level monitoring

Special features

- No power supply needed for switching of electrical loads
- Robust switch enclosure from aluminium alloy or stainless steel 316L, IP66, NEMA 4X
- Setting ranges from 0 ... 16 mbar to 0 ... 40 bar with high static and high one-sided pressure up to 160 bar
- Repeatability: $\leq 1\%$ of span
- 1 or 2 independent set points, SPDT or DPDT, high switching power up to AC 250 V, 20 A

Description

These high-quality pressure switches have been developed especially for safety-critical applications. The high quality of the products and manufacturing in accordance with ISO 9001 ensure reliable monitoring of your plant. In production, the switches are traced by quality assurance software at every step and subsequently are 100 % tested.

In order to ensure as flexible operation as possible, the pressure switches are fitted with micro switches, which enable the switching of an electrical load of up to AC 250 V, 20 A directly.

For lower switching power ratings, such as for PLC applications, argon gas-filled micro switches with gold-plated contacts can be selected.



Fig. left: Differential pressure switch for medium/high setting ranges, model DA

Fig. right: Differential pressure switch for low setting ranges, model DA10

All wetted materials are from stainless steel as a standard. For applications with special requirements on the wetted parts, a version with Monel® is available.

By using a diaphragm measuring system, the model DA differential pressure switch is extremely robust and guarantees optimal operating characteristics and the highest measuring performances, with repeatability lower than 1 % of span.

The process connection with a centre distance of 54 mm lower mount allows an easy and comfortable mounting of a standard valve manifold.

Standard version

Model DA

Double diaphragm with transmission shaft, without sealing elements

Model DA10

Single diaphragm with transmission shaft without sealing elements

For clean gas or non-condensing vapour only.

Switch enclosure

Aluminium alloy, copper-free, epoxy resin coated, tamper-proof. Laser-engraved product label from stainless steel

Ingress protection

IP66 per EN/IEC 60529, NEMA 4X

Switch contact

Micro switches with fixed dead band

- 1 x or 2 x SPDT (single pole double throw)
- 1 x DPDT (double pole double throw)

Micro switches with adjustable dead band

- 1 x SPDT (single pole double throw)

The DPDT function is realised with 2 simultaneously triggering SPDT micro switches within 0.5 % of the span.

Contact version		Electrical rating (resistive load)	
		AC	DC
UN	1 x SPDT, silver	250 V, 15 A	24 V, 2 A, 125 V, 0.5 A, 220 V, 0.25 A
US	1 x SPDT, silver, hermetically sealed, argon gas filling ²⁾	250 V, 15 A	24 V, 2 A, 220 V, 0.5 A
UO	1 x SPDT, gold-plated, hermetically sealed, argon gas filling ²⁾	125 V, 1 A	24 V, 0.5 A
UG	1 x SPDT, gold-plated	125 V, 1 A	24 V, 0.5 A
UR	1 x SPDT, silver, adjustable dead band	250 V, 20 A	24 V, 2 A, 220 V, 0.5 A
DN	2 x SPDT or 1 x DPDT, silver	250 V, 15 A	24 V, 2 A, 125 V, 0.5 A, 220 V, 0.25 A
DS	2 x SPDT or 1 x DPDT, silver, hermetically sealed, argon gas filling ²⁾	250 V, 15 A	24 V, 2 A, 220 V, 0.5 A
DO	2 x SPDT, or 1 x DPDT gold-plated, hermetically sealed, argon gas filling ²⁾	125 V, 1 A	24 V, 0.5 A
DG	2 x SPDT or 1 x DPDT, gold-plated	125 V, 1 A	24 V, 0.5 A

2) Permissible ambient temperature range: -30 ... +70 °C

Set point adjustment

The set point can be specified by the customer or factory-set within the setting range. Subsequent adjustment of the set point on site is made using the adjustment screw, which is fastened to the switch and thus secured against loss.

Repeatability of the set point

≤ 1 % of span

Distance between set points

For versions with 2 x SPDT the distance between the set points must be > 5 % of the respective span.

Permissible temperature

Ambient T_{amb} : -30 ... +85 °C
Medium T_M : -30 ... +85 °C

Ignition protection type

- Ex d IIC T6/T4 ¹⁾ Ga/Gb (gas)
- Ex ta/tb IIIC T85/T135 ¹⁾ Da/Db (dust)

1) The temperature class is related to the ambient temperature range. See the type examination certificate for further details

Please specify:

Set point, switching direction for each contact, e.g.:
Set point 1: 3 bar, falling, set point 2: 6 bar, rising.
With two micro switches, the set points can be set independently of each other.

For optimal performance we suggest to adjust the set point between 25 ... 75 % of the span.

Example

Setting range: 0 ... 10 bar with one switch contact

Repeatability: 1 % of 10 bar = 0.1 bar

Dead band: (see table setting ranges)

2 x repeatability + dead band = 2 x 0.1 bar + 0.3 bar = 0.5 bar

Rising pressure: Adjust set point between 0.5 ... 10 bar.

Falling pressure: Adjust set point between 0 ... 9.5 bar.

Process connection

Stainless steel, lower mount (LM)

- ¼ NPT female (standard)
- ½ NPT, G ½ A, G ¼ A male via adapter
- ½ NPT, G ¼ female via adapter
- M20 x 1.5 male via adapter

Electrical connection

- ½ NPT female (standard)
- ¾ NPT, M20 x 1.5, G ½, G ¾ female
- Cable gland non-armoured, Ex d, nickel-plated brass
- Cable gland non-armoured, Ex d, stainless steel (AISI 304)
- Cable gland armoured, Ex d, nickel-plated brass
- Cable gland armoured, Ex d, stainless steel (AISI 304)

For cable connections to the internal terminal block use wire cross-sections between 0.5 ... 2.5 mm².

For the grounding cable connection to the protective conductor screws use max. 2.5 mm² for the internal screw and max. 4 mm² for the external screw.

Dielectric strength

Safety class I (IEC 61298-2: 2008)

Wetted parts

Setting range	Stainless steel version		NACE ¹⁾ version		Monel version	
	Diaphragm	Process Connection	Diaphragm	Process Connection	Diaphragm	Process Connection
16 mbar	AISI 316	AISI 316L	-	-	-	
25 mbar						
40 mbar						
60 mbar						
160 mbar						
250 mbar						
400 mbar						
600 mbar						
1 bar						
2.5 bar						
4 bar	AISI 304		Monel [®] 400	AISI 316L	Monel [®] 400	
6 bar						
10 bar						
16 bar	Inconel [®] 718		Inconel [®] 718		-	
25 bar						
40 bar						

1) NACE compliant to MR 0175, ISO 15156 and MR 0103

Sealing material for all versions: NBR

Mounting

- Mounting fixture from stainless steel (AISI 304)
- Mounting bracket for 2" pipe mounting (AISI 304)

Weight

- Model DA: approx. 7.2 kg
- Model DA10: approx. 10 kg

Setting range, model DA

Δp -cell	Setting range	Fixed dead band for contact version		Adjustable dead band for contact version	Static / One-sided pressure
	in bar	1 contact UN, US, UO, UG in mbar	2 contacts DN, DS, DO, DG in mbar	1 contact UR in mbar	in bar
L	0 ... 0.16	≤ 6	≤ 6	25 ... 60	≤ 40, ≤ 100 or ≤ 160
	0 ... 0.25	≤ 8	≤ 8	30 ... 80	
-	0 ... 0.4	≤ 20	≤ 20	45 ... 120	
	0 ... 0.6	≤ 25	≤ 25	80 ... 200	
	0 ... 1	≤ 40	≤ 40	100 ... 270	
	0 ... 2.5	≤ 70	≤ 70	260 ... 700	
	0 ... 4	≤ 120	≤ 120	450 ... 1,150	
	0 ... 6	≤ 180	≤ 180	600 ... 1,600	
	0 ... 10	≤ 300	≤ 300	1,100 ... 2,800	
	0 ... 16	≤ 480	≤ 480	1,600 ... 3,500	
0 ... 25	≤ 700	≤ 700	2,500 ... 5,500		
V	0 ... 40	≤ 1,200	≤ 1,200	on request	

Other available setting ranges:

- -40 ... +120 mbar, -60 ... +190 mbar, -200 ... +200 mbar, -300 ... +300 mbar, -500 ... +500 mbar
- -1.25 ... +1.25 bar, -2 ... +2 bar, -3 ... +3 bar, -5 ... +5 bar, -8 ... +8 bar, -12.5 ... +12.5 bar

Setting range, model DA10 ¹⁾

Δp -cell	Setting range	Fixed dead band for contact version		Adjustable dead band for contact version	Static / One-sided pressure
	in mbar	1 contact UN, US, UO, UG in mbar	2 contacts DN, DS, DO, DG in mbar	1 contact UR in mbar	in bar
-	0 ... 16	≤ 1.2	≤ 1.6	-	≤ 10 ²⁾
	0 ... 25	≤ 1.2	≤ 1.6	4 ... 10	≤ 10
	0 ... 40	≤ 1.6	≤ 2.2	5 ... 14	
	0 ... 60	≤ 2.5	≤ 3.0	6 ... 18	

1) For clean gas or non-condensing vapour only

2) One-sided pressure 2 bar

Other Versions








- Ex ia version
- Cleaned for oxygen service
- Drying of wetted parts
- Offshore version ³⁾
- NACE compliant to MR 0175, ISO 15156 and MR 0103 ³⁾
- Wetted parts from Monel[®]

3) WIKA recommends argon gas-filled contact versions

Assembly

- Valve manifold for differential pressure measuring instruments, models IV30, IV31 and IV50 und IV51 see data sheet AC 09.23
- Diaphragm seals, see website
- Differential pressure gauge


Approvals

Logo	Description	Country
	EU declaration of conformity <ul style="list-style-type: none"> ■ Pressure equipment directive ■ Low voltage directive ■ RoHS directive ■ ATEX directive ¹⁾ II 1/2 GD 	European Community
	IECEX ¹⁾ Ex d IIC T6/T4 ²⁾ Ga/Gb Ex d IIC T85/T135 ²⁾ Da/Db	IECEX member states
	EAC (option) Hazardous areas	Eurasian Economic Community
	Ex-Ukraine (option) Hazardous areas	Ukraine
	CCC (option) Hazardous areas	China
	KOSHA (option) Hazardous areas	South Korea
	INMETRO <ul style="list-style-type: none"> ■ Metrology, measurement technology ■ Hazardous areas 	Brazil

1) Double marking ATEX and IECEX on the same product label

2) The temperature class is related to the ambient temperature range

Manufacturer's information and certifications

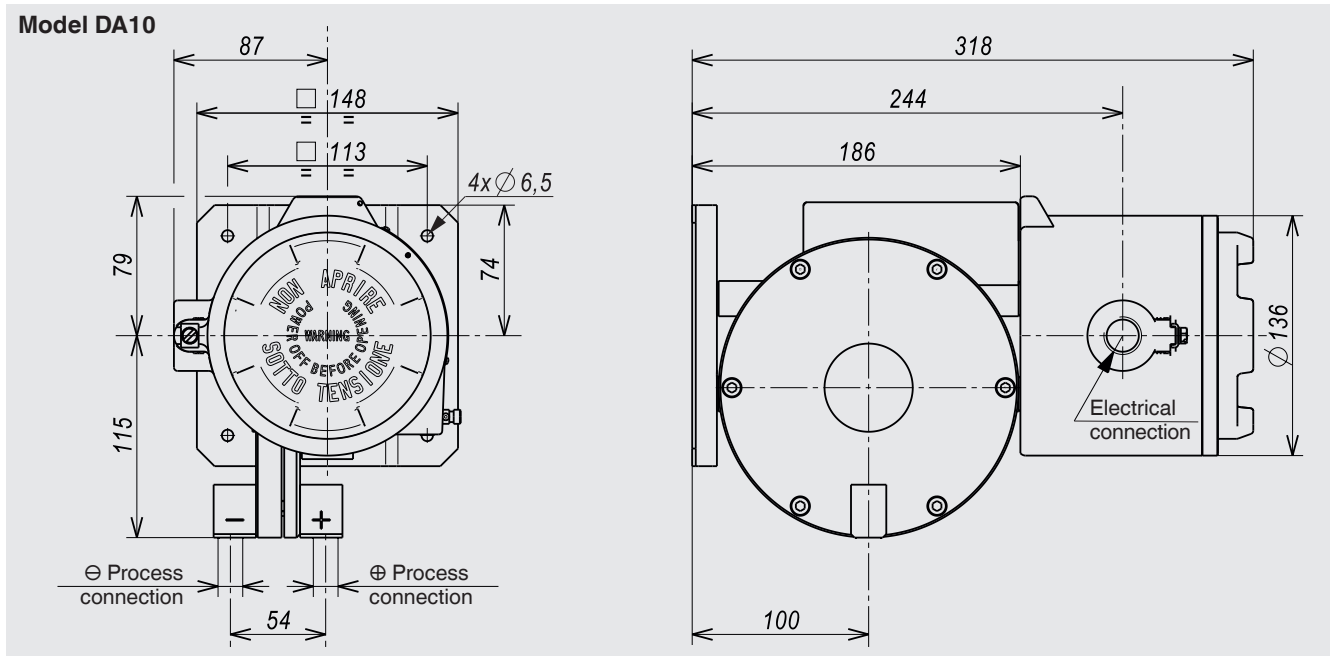
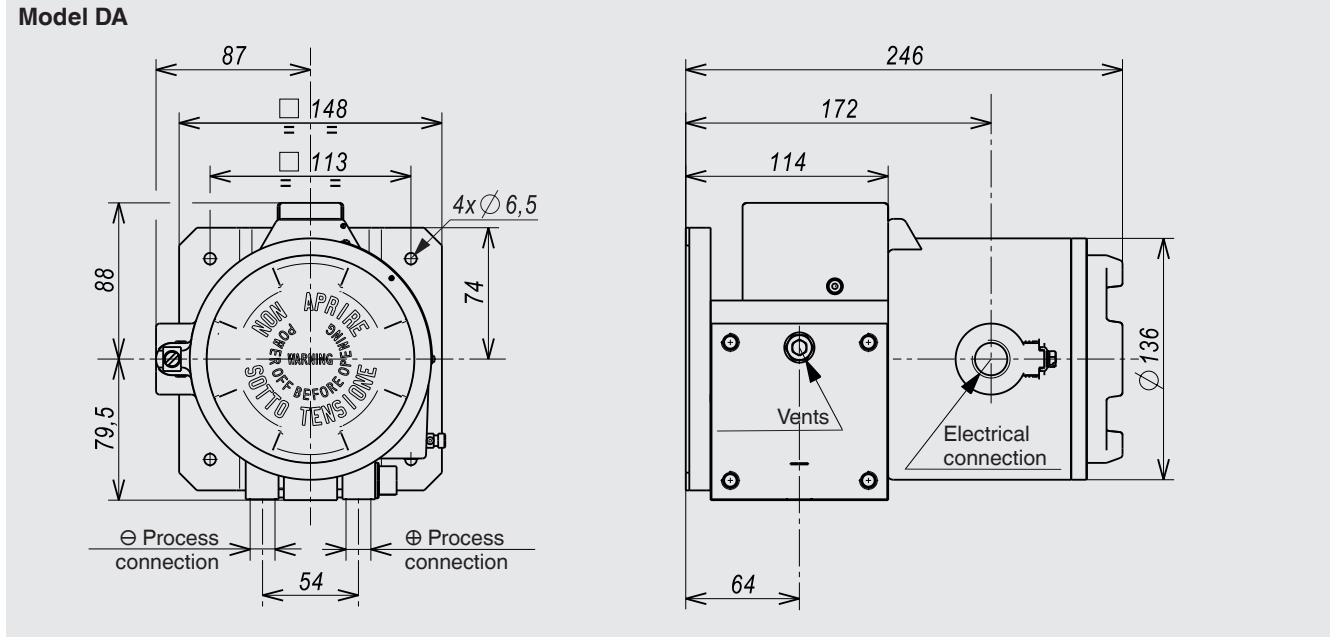
Logo	Description
	SIL 2 rating (option) , per IEC 61508 Functional safety Only available with contact version US or UO

Certificates (option)

- 2.2 test report per EN 10204
- 3.1 inspection certificate per EN 10204

Approvals and certificates, see website

Dimensions in mm



Ordering information

Model / Δp -cell / Static - One-sided pressure / Contact version / Setting range / Process connection / Electrical connection / Options

© 02/2011 WIKA Alexander Wiegand SE & Co. KG, all rights reserved.
The specifications given in this document represent the state of engineering at the time of publishing.
We reserve the right to make modifications to the specifications and materials.

Your WIKA Sales Partner



ICS Schneider Messtechnik GmbH
Briesestrasse 59
D-16562 Hohen Neuendorf / OT Bergfelde
Tel.: +49 3303 5040-66
Fax: +49 3303 5040-68
E-Mail: info@ics-schneider.de



WIKAL Alexander Wiegand SE & Co. KG
Alexander-Wiegand-Straße 30
63911 Klingenberg/Germany
Tel. +49 9372 132-0
Fax +49 9372 132-406
info@wika.de
www.wika.de