

Gas-actuated thermometer For sanitary applications Model 74, stainless steel version

WIKA data sheet TM 74.01



for further approvals
see page 10

Applications

- Food industry
- Sanitary applications
- Bio and pharmaceutical industries

Special features

- Dead space free
- Hygienic design
- Aseptic process connections
- Material and surface finish quality in accordance with pharmaceutical industry directives and standards



Gas-actuated thermometer model R74.100
with liquid damping and VARIVENT® connection

Description

This series of thermometers has been designed as an addition to the standard range of thermometers in order to meet the special requirements of the food, bio and pharmaceutical industries as well as in the paints and varnishes industry.

The model 74 gas-actuated thermometer is ideally suited to fulfil the high standard requirements of sanitary applications. Based on a third party verification, the thermometer complies with the 3-A standard and is marked by us accordingly.

Stem and case are made of stainless steel. The surface of the wetted parts is polished, and a wide variety of process connections is available to ensure the optimal adaptation to many different process requirements. The stem is free of dead space.

Standard version

Measuring principle

Inert gas expansion system

Nominal size in mm

100

Process connection

- Clamp connection
- Threaded connection per DIN 11851
- VARIVENT® connection
for pipes DN 40 to DN 125 and 1 ½" to 4", PN 25
- NEUMO BioControl®
Size 50 (mounting diameter 50 mm) for pipes DN 25 to DN 100, PN 16 or
Size 65 (mounting diameter 68 mm) for pipes DN 40 to DN 100, PN 16
- Aseptic threaded pipe connection DIN 11864-1 form A
- Aseptic threaded pipe connection DIN 11864-2 form A
- Aseptic threaded pipe connection DIN 11864-3 form A

Model overview

Model	NS	Version
A74.100	100	Back mount (axial)
R74.100	100	Lower mount (radial)

Indication accuracy

±1 °C within measuring range, at 23 °C ±10 °C

Working range

Normal (1 year): Measuring range (EN 13190)

Short time (24 h max.): Scale range (EN 13190)

Rated operating ranges and conditions

EN 13190

Temperature sensor

- Wetted parts stainless steel 1.4435
- Diameter 21 mm
- Length 30 mm

Surface of the wetted parts

$R_a \leq 0.8 \mu\text{m}$

Case

Stainless steel 1.4301

Ring

Bayonet ring bezel, stainless steel 1.4301

Stem, process connection

Stainless steel 1.4435

Dial

Aluminium, white, black lettering

Window

Laminated safety glass

Pointer

Aluminium, black, micro adjustment

Temperature limits for storage and transport

-50 ... +70 °C without liquid damping

-40 ... +70 °C with liquid damping

0 ... +60 °C with food-compatible liquid damping

Permissible ambient temperature

-40 ... +60 °C without/with liquid damping

0 ... +60 °C with food-compatible liquid damping

Permissible operating pressure at the temperature sensor

max. 25 bar, static

Ingress protection

IP65 per IEC/EN 60529

Options

- Scale range °F, °C/°F (dual scale)
- Other process connection
- Surface of the wetted parts
 - $R_a \leq 0.4 \mu\text{m}$
 - Electropolished $R_a \leq 0.4 \mu\text{m}$
 - Polished and electropolished $R_a \leq 0.25 \mu\text{m}$
- Case with food-compatible liquid damping (medicinal white mineral oil KN 92)
- Window from polycarbonate
- Ingress protection IP66
- Thermometer with switch contacts (data sheet TV 27.02)
- Version per ATEX

**Scale ranges, measuring ranges ¹⁾, error limits
Scale graduation per WIKA standard**

Scale range in °C	Measuring range in °C	Scale spacing in °C	Error limit ±°C
-30 ... +50	-20 ... +40	1	1 ²⁾
-20 ... +100	0 ... 80	1	1
0 ... 120	20 ... 100	1	1
0 ... 160	20 ... 100	1	1

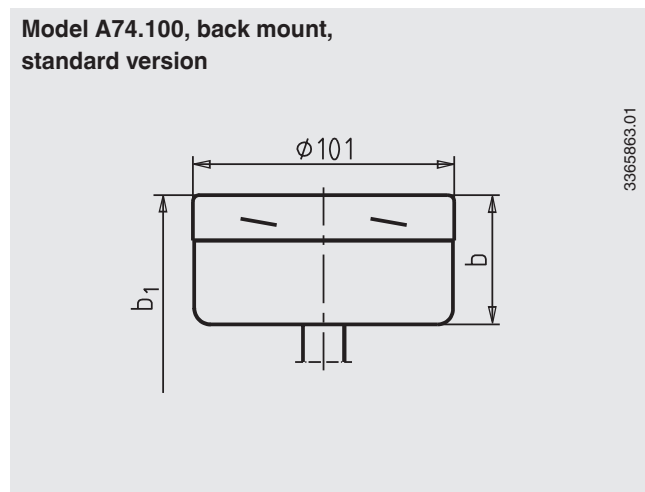
1) The measuring range is indicated on the dial by two triangular marks.
The stated error limit is valid within this range.

2) Exception process connection: Aseptic threaded pipe connection DIN 11864-1, DIN 11864-2, DIN 11864-3

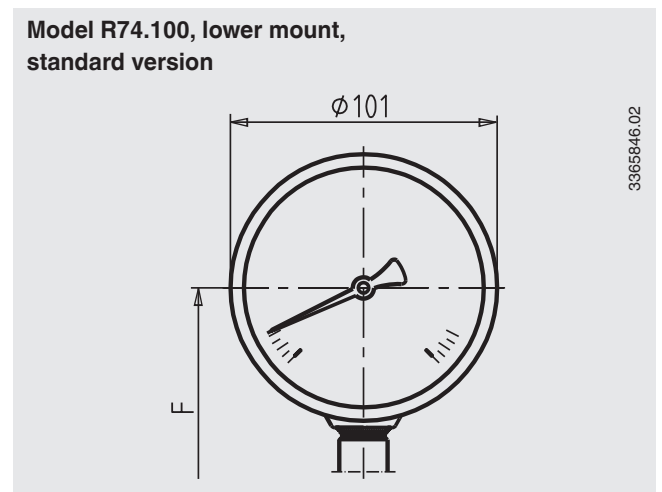
VARIVENT® and VARINLINE® are registered trademarks of the company GEA Tuchenhagen GmbH.
BioControl® is a registered trademark of the company NEUMO.

Dimensions in mm

Both thermometers, model A74.100 back mount connection and model R74.100 lower mount connection, are available with all process connections shown.

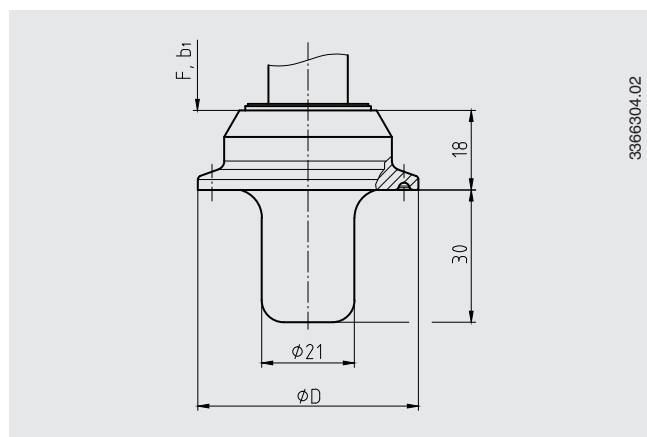


b = 50 mm
b₁ = 80 mm
F = 82 mm



Process connections

Type of process connection: Clamp connection



Type of process connection: Clamp connection per DIN 32676
Pipe standard: Pipes per DIN 11866 row B or ISO 1127 row 1

DN	For pipe	PN ¹⁾	Dimensions in mm
	Outer Ø x wall thickness		Ø D
33.7 (DN 25)	33.7 x 2	40	50
42.4 (DN 32)	42.4 x 2	40	50
48.3 (DN 40)	48.3 x 2	40	64
60.3 (DN 50)	60.3 x 2	40	77.5
76.1 (DN 65)	76.1 x 2	25	91

Type of process connection: Clamp connection per DIN 32676
Pipe standard: Pipes per DIN 11866 row C or ASME BPE

DN	For pipe	PN ¹⁾	Dimensions in mm
	Outer Ø x wall thickness		Ø D
1 ½"	38.1 x 1.6	40	50
2"	50.8 x 1.6	40	64
2 ½"	63.5 x 1.6	25	77.5
3"	76.2 x 1.6	25	91

Type of process connection: Clamp connection

Pipe standard: Pipes per BS4825 part 3 and O.D.-tube

DN	For pipe	PN ¹⁾	Dimensions in mm
	Outer Ø x wall thickness		Ø D
1 ½"	38.1 x 1.65	40	50
2"	50.8 x 1.65	40	64
2 ½"	63.5 x 1.65	25	77.5
3"	76.2 x 1.65	25	91

Type of process connection: Clamp connection per DIN 32676
Pipe standard: Pipes per DIN 11866 row A or DIN 11850 row 2

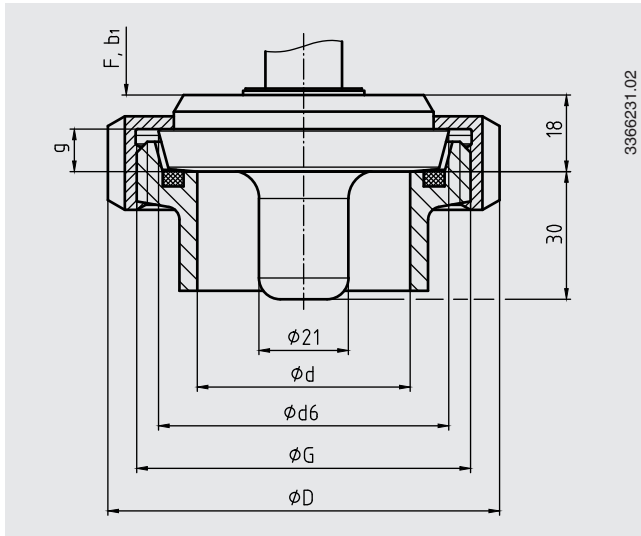
DN	For pipe	PN ¹⁾	Dimensions in mm
	Outer Ø x wall thickness		Ø D
32	34 x 1	40	50
40	40 x 1	40	50
50	52 x 1	40	64
65	70 x 2	25	91

Type of process connection: Clamp connection per ISO 2852
Pipe standard: Pipes per ISO 2037 and BS 4825 part 1

DN	For pipe	PN ¹⁾	Dimensions in mm
	Outer Ø x wall thickness		Ø D
33.7	33.7 x 1.2	25	50
38	38 x 1.2	25	50
40	40 x 1.2	25	64
51	51 x 1.2	25	64
63.5	63.5 x 1.6	25	77.5
70	70 x 1.6	25	91
76.1	76.1 x 1.6	25	91

1) For maximum pressure range consider pressure rating of clamp.

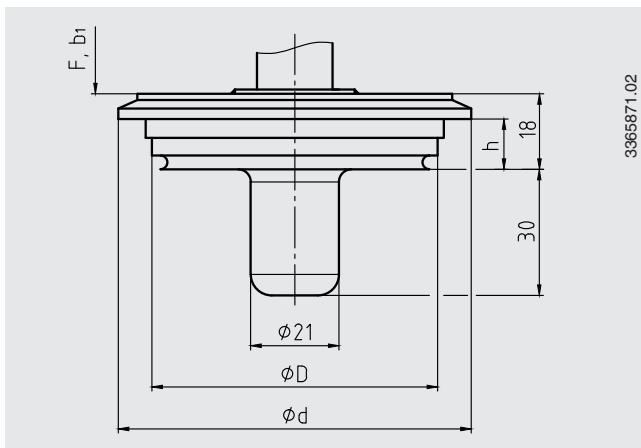
Type of process connection: Threaded connection per DIN 11851
 Pipe standard: Pipes per DIN 11850 row 2



DN	For pipe	PN	Dimensions in mm				
	Outer ϕ x wall thickness		G	d	D	d_6	g
40	41 x 1.5	40	Rd 65 x 1/6	38	78	56	10
50	53 x 1.5	25	Rd 78 x 1/6	50	92	68.5	10
80	85 x 2	25	Rd 110 x 1/4	20	127	100	12

3-A conformity only in combination with profile sealing from SKS Komponenten BV or Kieselmann GmbH.

Type of process connection: VARIVENT®

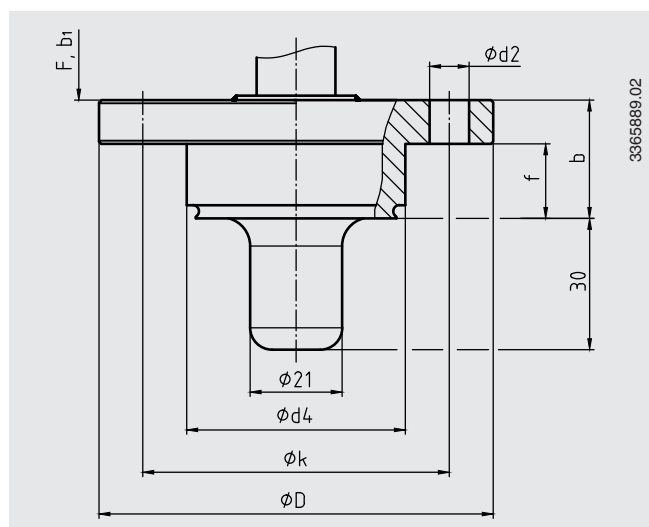


Access unit connection	PN ²⁾	Dimensions in mm		
		D	d	h
Form F	25	50	66	12.3
Form N	25	68	84	12.3

2) Pay attention to the pressure rating of the VARINLINE® access unit.

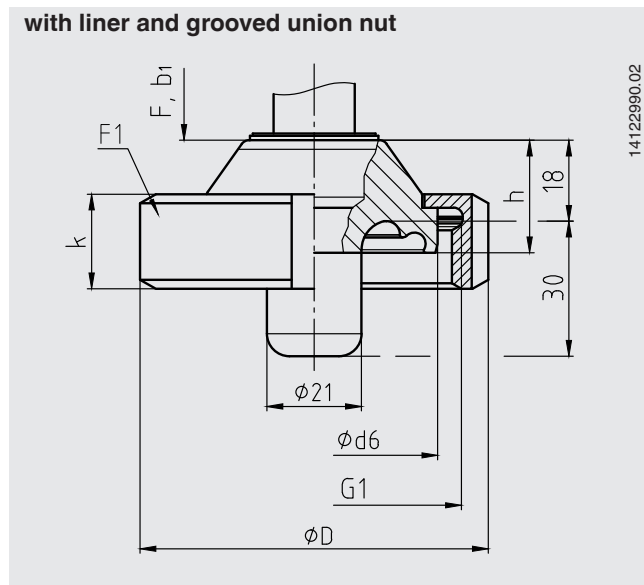
Note:
 Suitable for installation into the VARINLINE® access unit from GEA Tuchenhausen.

Type of process connection: NEUMO BioControl®



BioControl® connection	PN	Dimensions in mm					
		d ₂	d ₄	D	f	b	k
Size 50	16	4 x Ø 9	50	90	17	27	70
Size 65	16	4 x Ø 11	68	120	17	27	95
Size 80	16	4 x Ø 11	87.5	140	25	37	115

Type of process connection: Aseptic threaded pipe connection DIN 11864-1 form A



Type of process connection: Aseptic threaded pipe connection per DIN 11864-1 form A
Pipe standard: Pipes per DIN 11866 row A or DIN 11850 row 2

DN	For pipe	Dimensions in mm							Weight in kg	
	Outer Ø x wall thickness	d ₆	G ₁	h	F ₁	D	k	Aseptic O-ring	Liner	Threaded coupling
40	41 x 1.5	54.9	RD 65 x 1/6	25	DN 40	78	21	40 x 5	1.5	1.5
50	53 x 1.5	66.9	RD 78 x 1/6	25	DN 50	92	22	52 x 5	2.2	2.3
65	70 x 2	84.9	RD 95 x 1/6	25	DN 65	112	25	68 x 5	3.6	3.6

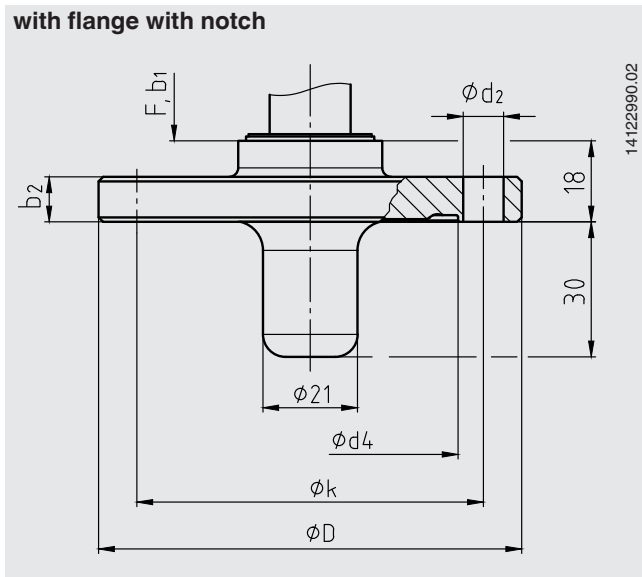
Type of process connection: Aseptic threaded pipe connection per DIN 11864-1 form A
Pipe standard: Pipes per DIN 11866 row B or DIN ISO 1127 row 1

DN	For pipe	Dimensions in mm							Weight in kg	
	Outer Ø x wall thickness	d ₆	G ₁	h	F ₁	D	k	Aseptic O-ring	Liner	Threaded coupling
42.4	42.4 x 2.0	54.9	RD 65 x 1/6	25	DN 40	78	21	40.5 x 5	1.5	1.5
48.3	48.3 x 2.0	66.9	RD 78 x 1/6	25	DN 50	92	22	46.5 x 5	2.2	2.3
60.3	60.3 x 2.0	84.9	RD 95 x 1/6	25	DN 65	112	25	58.5 x 5	3.6	3.6
76.1	76.1 x 2.0	98.9	RD 110 x 1/4	25	DN 80	127	29	73.5 x 5	5.0	4.9

Type of process connection: Aseptic threaded pipe connection per DIN 11864-1 form A
Pipe standard: Pipes per DIN 11866 row C or ASME BPE 1997

DN	For pipe	Dimensions in mm							Weight in kg	
	Outer Ø x wall thickness	d ₆	G ₁	h	F ₁	D	k	Aseptic O-ring	Liner	Threaded coupling
1 ½"	38.1 x 1.65	54.9	RD 58 x 1/6	25	DN 40	78	21	37 x 5	1.5	1.5
2"	50.8 x 1.65	66.9	RD 65 x 1/6	25	DN 50	92	22	50 x 5	2.2	2.3
2 ½"	63.5 x 1.65	84.9	RD 78 x 1/6	25	DN 65	112	25	62 x 5	3.6	3.6
3"	76.2 x 1.65	98.9	RD 95 x 1/6	25	DN 80	127	29	75 x 5	5.0	4.9

Type of process connection: Aseptic flange connection DIN 11864-2 form A



Type of process connection: Aseptic flange connection per DIN 11864-2 form A

Pipe standard: Pipes per DIN 11866 row A or DIN 11850 row 2

DN	For pipe	PN ³⁾	Dimensions in mm					
	Outer Ø x wall thickness		d ₄	K	D	b ₂	d ₂	Aseptic O-ring
40	41 x 1.5	25	53.7	65	82	10	4 x Ø 9	40 x 5
50	53 x 1.5	16	65.7	77	94	10	4 x Ø 9	52 x 5
65	70 x 2.0	16	81.7	95	113	10	8 x Ø 9	68 x 5
80	85 x 2.0	16	97.7	112	133	12	8 x Ø 11	83 x 5

Type of process connection: Aseptic flange connection per DIN 11864-2 form A

Pipe standard: Pipes per DIN 11866 row B or DIN ISO 1127 row 1

DN	For pipe	PN ³⁾	Dimensions in mm					
	Outer Ø x wall thickness		d ₄	K	D	b ₂	d ₂	Aseptic O-ring
42.4	42.4 x 2.0	16	54.1	65	82	10	4 x Ø 9	40.5 x 5
48.3	48.3 x 2.0	16	60	71	88	10	4 x Ø 9	46.5 x 5
60.3	60.3 x 2.0	16	72	85	103	10	8 x Ø 9	58.5 x 5
76.1	76.1 x 2.0	16	88.1	104	125	12	8 x Ø 11	73.5 x 5

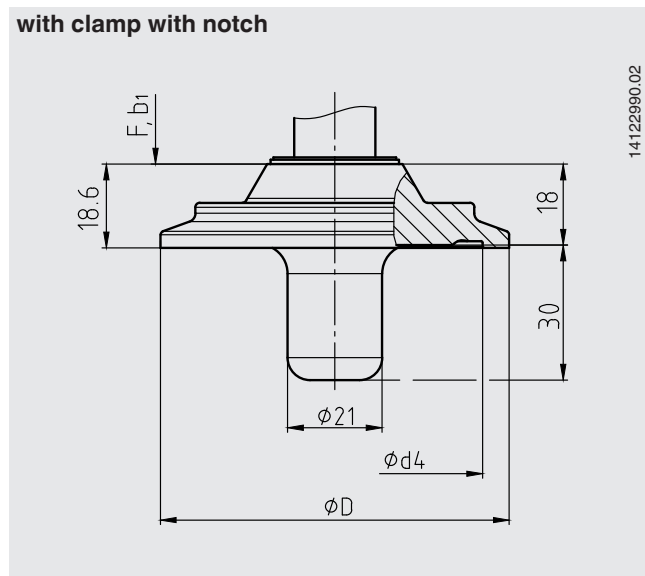
Type of process connection: Aseptic flange connection per DIN 11864-2 form A

Pipe standard: Pipes per DIN 11866 row C or ASME BPE 1997

DN	For pipe	PN ³⁾	Dimensions in mm					
	Outer Ø x wall thickness		d ₄	K	D	b ₂	d ₂	Aseptic O-ring
1 ½"	38.1 x 1.65	25	50.4	62	79	10	4 x Ø 9	37 x 5
2"	50.8 x 1.65	16	63.5	75	92	10	4 x Ø 9	50 x 5
2 ½"	63.5 x 1.65	16	75.9	89	107	10	4 x Ø 9	62 x 5
3"	76.2 x 1.65	16	89.6	104	125	12	8 x Ø 11	75 x 5

³⁾ Permissible pressure in bar; these pressures may only be applied when using suitable sealing materials up to a temperature from -10 to +140 °C.

Type of process connection: Aseptic clamp connection DIN 11864-3 form A



Type of process connection: Aseptic clamp connection per DIN 11864-3 form A
Pipe standard: Pipes per DIN 11866 row A or DIN 11850 row 2

DN	For pipe	PN ³⁾	Dimensions in mm		
	Outer Ø x wall thickness		d ₄	D	Aseptic O-ring
40	41 x 1.5	40	53.7	64	40 x 5
50	53 x 1.5	25	65.7	77.5	52 x 5
65	70 x 2.0	25	81.7	91	68 x 5
80	85 x 2.0	25	97.7	106	83 x 5

Type of process connection: Aseptic clamp connection per DIN 11864-3 form A
Pipe standard: Pipes per DIN 11866 row B or DIN ISO 1127 row 1





DN	For pipe	PN ³⁾	Dimensions in mm		
	Outer Ø x wall thickness		d ₄	D	Aseptic O-ring
42.4	42.4 x 2.0	25	54.1	64	40.5 x 5
48.3	48.3 x 2.0	25	60	64	46.5 x 5
60.3	60.3 x 2.0	25	72	91	58.5 x 5
76.1	76.1 x 2.0	16	88.2	106	73.5 x 5

Type of process connection: Aseptic clamp connection per DIN 11864-3 form A
Pipe standard: Pipes per DIN 11866 row C or ASME BPE 1997

DN	For pipe	PN ³⁾	Dimensions in mm		
	Outer Ø x wall thickness		d ₄	D	Aseptic O-ring
1 ½"	38.1 x 1.65	40	50.5	64	37 x 5
2"	50.8 x 1.65	25	63.5	77.5	50 x 5
2 ½"	63.5 x 1.65	25	75.9	91	62 x 5
3"	76.2 x 1.65	16	89.6	106	75 x 5

3) Permissible pressure in bar; these pressures may only be applied when using suitable sealing materials up to a temperature from -10 to +140 °C.

Approvals

Logo	Description	Country
	EU declaration of conformity ATEX directive (option) Hazardous areas	European Union
	EAC (option) ■ Import certificate ■ Hazardous areas	Eurasian Economic Community
	GOST (option) Metrology, measurement technology	Russia
	3-A (option) Sanitary Standard	USA
-	CRN (option) Safety (e.g. electr. safety, overpressure, ...)	Canada

Certificates (option)

- 2.2 test report
- 3.1 inspection certificate
- DKD/DAkkS calibration certificate

Approvals and certificates, see website

Ordering information

Model / Scale range / Surface of wetted parts / Process connection / Options

© 01/2006 WIKA Alexander Wiegand SE & Co. KG, all rights reserved.
The specifications given in this document represent the state of engineering at the time of publishing.
We reserve the right to make modifications to the specifications and materials.

Your WIKA Sales Partner



ICS Schneider Messtechnik GmbH
Briesestrasse 59
D-16562 Hohen Neuendorf / OT Bergfelde
Tel.: +49 3303 5040-66
Fax: +49 3303 5040-68
E-Mail: info@ics-schneider.de



WIKAL
WIKAL Alexander Wiegand SE & Co. KG
Alexander-Wiegand-Straße 30
63911 Klingenberg/Germany
Tel. +49 9372 132-0
Fax +49 9372 132-406
info@wika.de
www.wika.de