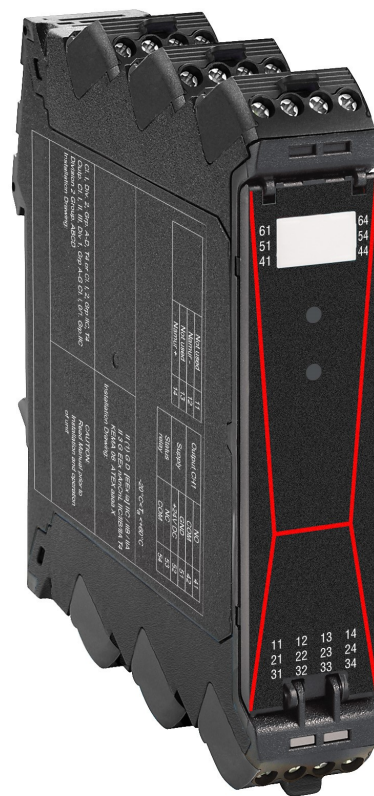


## Top hat rail device – DMS

### • Pressure transducer type IMH-DRADLM

Input:	4-wire up to 2 strain gauges full bridge
Input sensitivity:	0.1... 5 mV/V
Sensor supply:	5 VDC
Digital input:	Tara function external via terminal
Analog output:	4-20 mA, 0-10 VDC (Standard version)
Voltage supply:	24 VDC ± 20%
Resolution:	12 / 14 / 15 / 16 Bit
Total error:	0.3% of final value
Interface:	RS232 (Adjustment and processing)
Housing material:	Plastics PA66 GF30 for top hat rail
Protection class:	IP20



### • Ordering key options

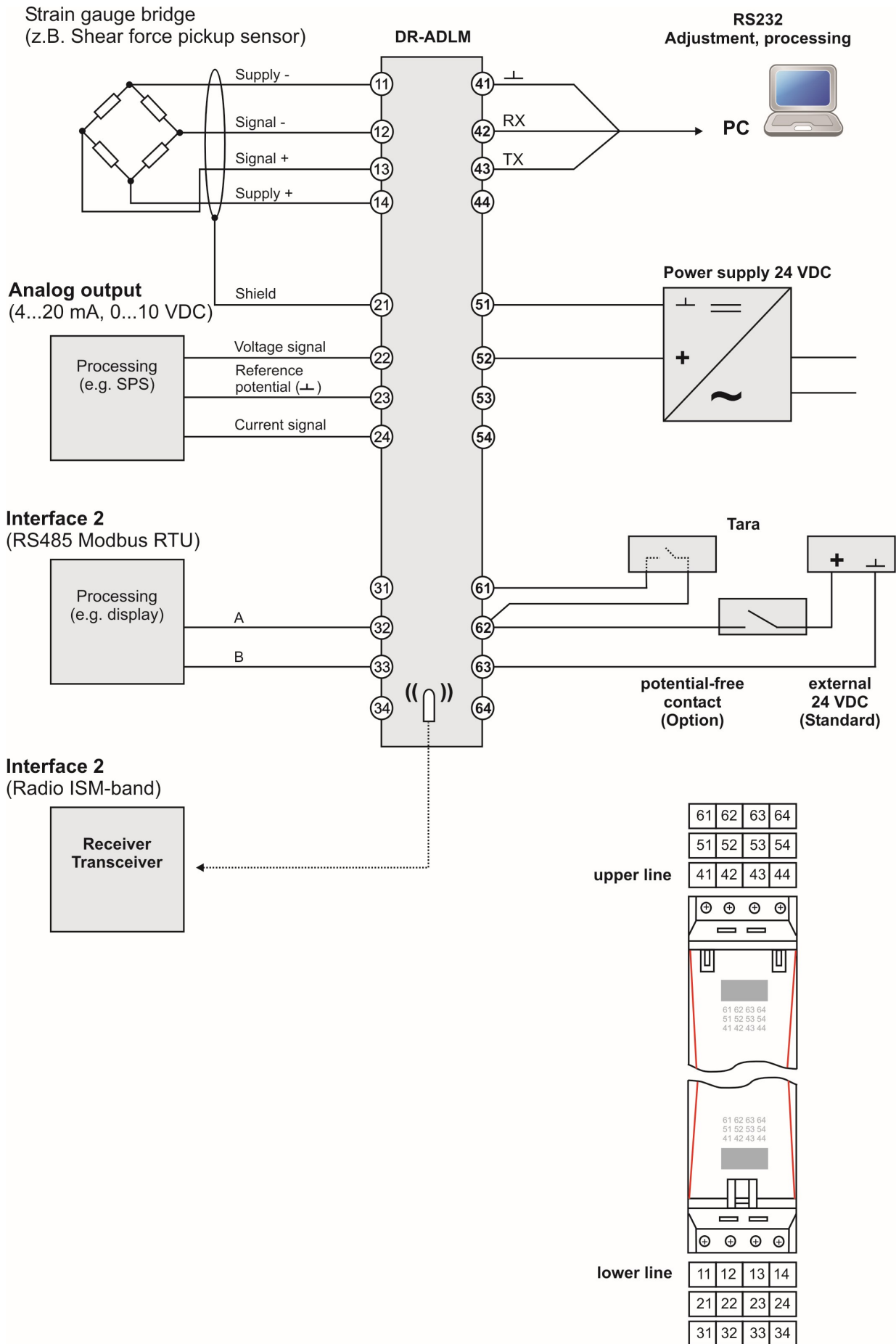
<b>IMH-DRADLM-08000C-10</b>	
	0 no special design
	1 special design (please specify)
	0 configuration – factory settings <sup>1</sup>
	1 configuration – customized (please specify) <sup>2</sup>
	C housing DR 22.5; TS 35
	0 24 VDC supply
	0 tara external (Standard)
	1 tara internal
	Interface 2
	0 without
	2 RS485
	8 radio ISM-path, internal aerial
	8 output 4-20 mA, 0-10 VDC
	9 0-20 mA, 2-10 VDC
	0 input 0.1... 5 mV/V

1) Factory settings: sensitivity 3 mV/V / resolution: 16 Bit / measuring rate 5/s / filter: 1s

2) Menu items exist within the technical data. If the demanded values have not been specified, then the specifications of the factory settings will be taken over.

Price on demand

• **Connection**



• **Technical data**

**Input**

Amplifier up to 2 strain gauge full bridges 350 Ohm (sum signal)  
Sensitivity 0.1... 5 mV/V (adjustable)

**Output**

Analog 0...10 V and 4...20 mA  
optional: 2... 10 V and 0...20 mA  
Current burden <500 Ohm  
Voltage load resistance 10 kOhm minimum

**Interfaces**

Interface 1 RS232 (adjustment and processing)  
Interface 2 (Option) RS485 Modbus RTU (adjustment)  
Transceiver-radio module (processing)  
Frequency: 868 MHz ISM-band  
Range: up to 300 m (MESH-able)  
Modulation: FSK  
Transmission power: 3.5 mW  
Data rate: 19.2 kb/s  
Aerial: intern

**Accuracy**

Resolution 12 / 14 / 15 / 16 Bit  
At measuring rate 128 / 32 / 16 / 8 per second  
Total error 0.3% of final value  
Temperature coefficient <50 ppm/K  
Sampling rate 10 ms...5s (adjustable)  
Filter function 10 ms...5s (adjustable)

**Power pack**

Supply 24 VDC, ±20% (approx. 1.5 W)  
Sensor supply 5 VDC 35 mA maximum

**Ambient conditions**

Working temperature -10°C...+60°C  
Storing temperature -20°C...+70°C

**Tara**

active (triggering with 24 VDC extern)  
option: passive (triggering via potential-free contact)

**Housing DR 22,5**

Size 117.2 x 22.5 x 113.6 mm  
Material PA66 GF30  
Colour black  
Inflammability UL 94 V-0  
Assembly top hat rail TS 35  
Protection class IP20  
Weight approx. 180 g  
Electrical connection 6 plug-in terminals 4-pole  
Terminal area 0.13...3.31 mm<sup>2</sup>

**Dimensions**

