

DOSE RATE METER

GRAETZ X5C FW

for personal radiation protection

Product features

- ▲▲ Dose rate meter for measuring gamma and X-rays
- ▲▲ Measured variable $\dot{H}^*(10)$ (ambient dose equivalent rate)
- ▲▲ Detector: energy-compensated GM counter tube
- ▲▲ Large-scale digital measured value display on LC display (can be illuminated)
- ▲▲ Optional dose rate or dose display with integration time
- ▲▲ Additional, quasi-analog display of the dose rate (3.5 decades, logarithmic bar display)
- ▲▲ Display of the dose rate peak value and the dose rate mean value
- ▲▲ Four freely programmable dose and dose rate warning thresholds with optical and acoustic alarm when the warning threshold is exceeded
- ▲▲ Automatic and manual storage of dose and dose rate measurements together with date and time
- ▲▲ Read-out of the stored measured values with the software „X5C FW Tool“ using an additionally required PC cable
- ▲▲ Determination of dwell time / remaining time
- ▲▲ Switchable acoustic individual impulse detection
- ▲▲ Menu-driven operator guidance, partially password-protected
- ▲▲ Storage of set parameters even when the device is switched off or when the battery is changed
- ▲▲ High reliability through test function and constant self-monitoring as well as display of rechargeable battery / battery capacity
- ▲▲ Metallized plastic housing, easy to decontaminate, protection class IP67
- ▲▲ RS-232 interface
- ▲▲ Can be combined with various probes from the GRAETZ probe range



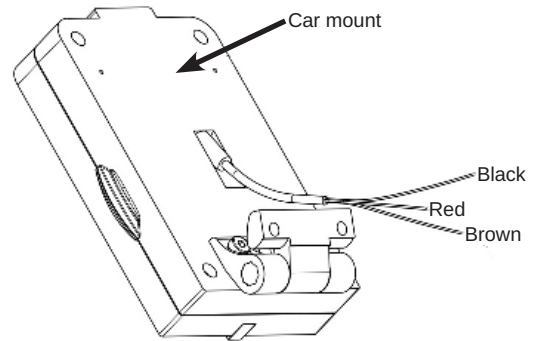
Technical Data	
Dose rate indication range:	0 nSv/h – 19.99 mSv/h
Dose rate range:	1 µSv/h – 19.99 mSv/h
Dose indication range:	0.01 nSv – 10 Sv
Dose measuring range:	0.5 µSv – 10 Sv
Energy range:	40 keV – 1.3 MeV
Dose rate alarm thresholds:	4 (standard: 25, 40, 300, 1000 µSv/h) free programmable in the range 1 µSv/h – 19.99 mSv/h
Dose alarm threshold:	4 (standard: 1, 15, 100, 250 mSv) free programmable in the range 1 µSv – 10 Sv
Temperature range:	-30 °C up to +60 °C
Dimensions:	152 x 82 x 39 mm
Weight:	Approx. 350 g
Power supply:	9V battery 6LR61 for battery version or 9V accumulator for accumulator version
Acoustic alarm:	65 dB(A) measured in 30 cm distance
According to German Fire Brigades Approval No.:	DL/FW/IdF 080221/1

Optional accessories

Car mount with charging function

There is an in-vehicle charging mount available as an accessory (dimensions: 172 x 117 x 62 mm) for the accumulator version of the dose rate meter X5C FW A. The mount can be adjusted on the instrument board to the desired angle (friction adjustment).

The device is secured in the holder against falling out and is meanwhile charged via the vehicle electrical system (5 V).



Configuration	
Black	GND (-)
Red	5 V (+), > 500 mA
Brown	Pulse line (max. 40 V / max. 1.5 s)



- 1: output: 10.8 V / DC 150 mA,
 $I_{\max} = 1 \text{ A}$, on the contact strip for the X5C FW A
 - 2: Cable (input: 5 V / DC, > 500 mA via on-board power supply and impulse conduit), length approx. 1 m
 - 3: LED light
Green: Ready to charge/charging finished
Glowing red: accumulator is being charged
Flashing red: accumulator defective
- Measurements with an external detector via the probe socket are possible with the X5C FW.

