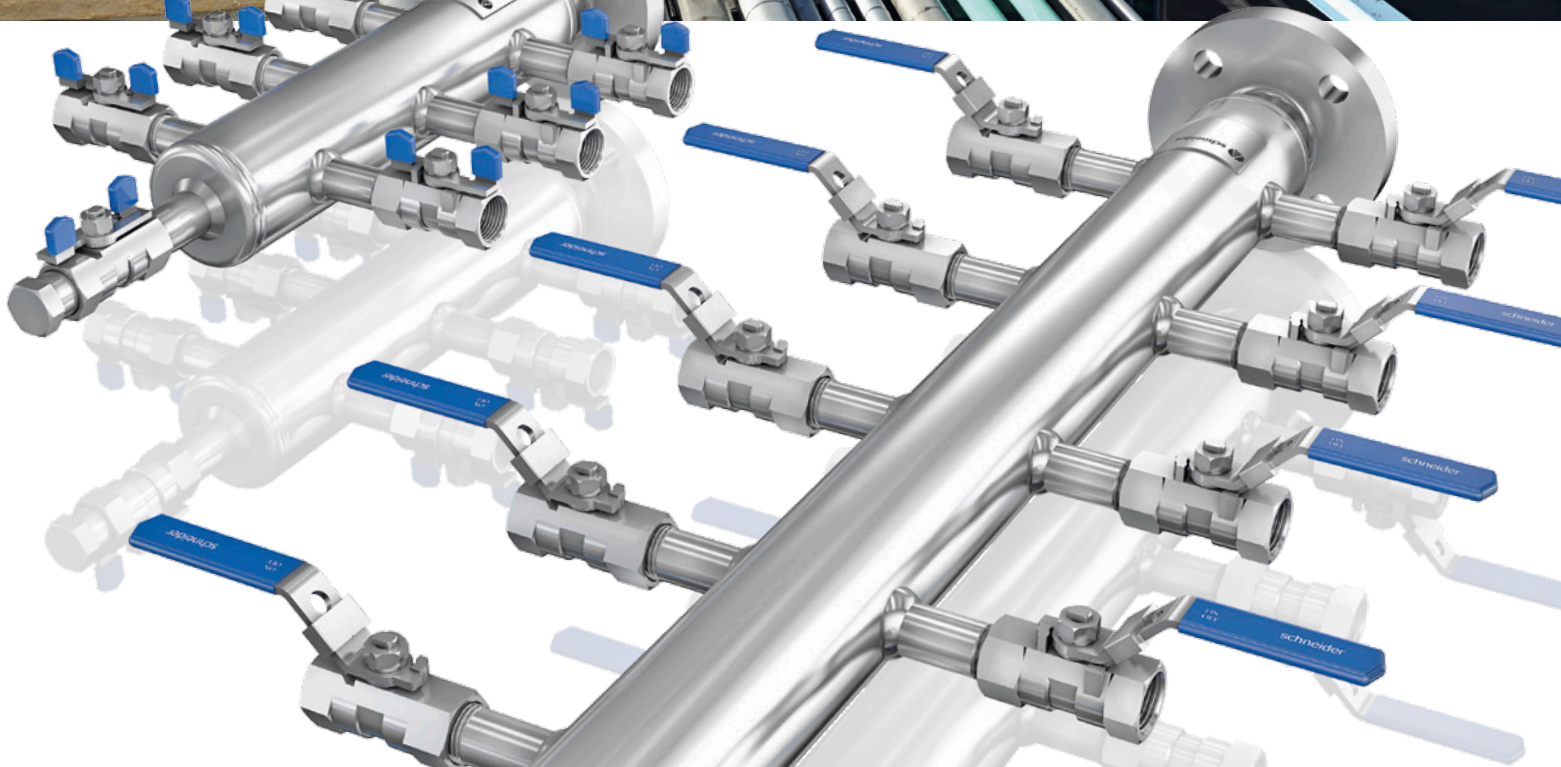


# Instrumentation Products

## Air Headers



# General Features

## Introduction

The AS-Schneider Group with its headquarters in Germany is one of the World's Leading Manufacturers of Instrumentation Valves and Manifolds. AS-Schneider offers a large variety of Air Headers needed for the instrumentation installations globally.

AS-Schneider Air Headers are used to supply several users with instrument air. Besides multiple types of standard styles we also supply the Air Headers in accordance with specific customer demands.

Selection can be made from a comprehensive range of pipe styles with a variety of connections and material options, optimising installation and access opportunities. Some of the Air Headers shown in this catalogue are available from stock or within a short period of time. The dimensions shown in this catalogue apply to standard types. If you need the dimensions for your individual type please contact the factory.

Continuous product development may from time to time necessitate changes in the details contained in this catalogue. AS-Schneider reserves the right to make such changes at their discretion and without prior notice.

All dimensions shown in this catalogue are approximate and subject to change.

## Standard Features

- Distribution Pipe:
  - 2" Pipe
- Lever Operated Ball Valves with Locking Device
- Inlet:
  - Flange according to ASME or EN
  - Threaded
- Outlet Ports:
  - Ball Valves
  - Needle Valves
  - Tube Fittings
  - Threaded
- Material
  - Stainless Steel

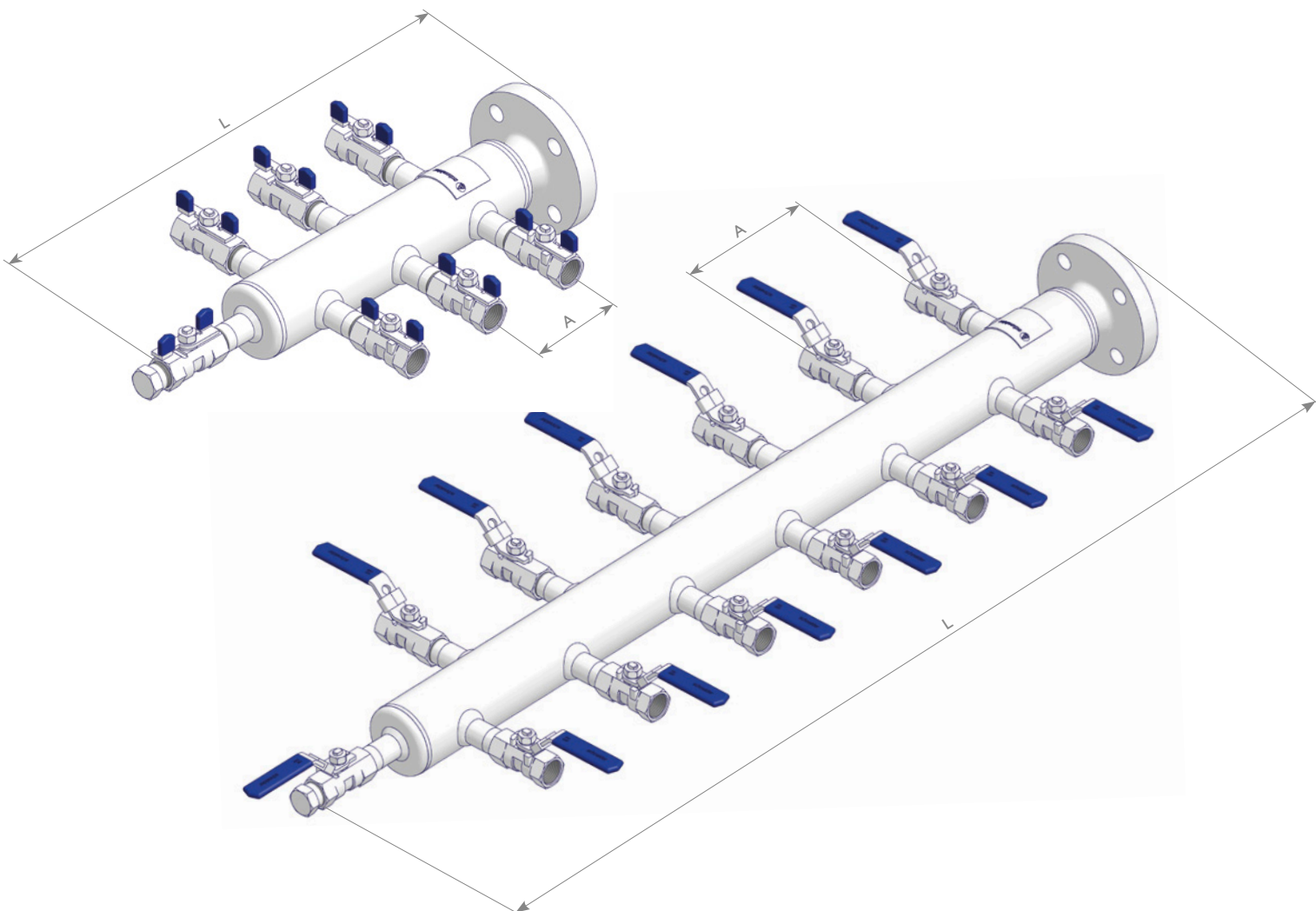
## Optional Features

- Mounting Bracket
- Certificates according to EN 10204

Pressure-Temperature Rating:

Max. allowable (Working) Pressure (PS): 40 bar (580 psi)

Max. allowable Temperature (TS): 50°C (122°F)



## Ordering Information

		1	2	3	4	5	6	7	8	9	10	11	12	13	14	15
		L	2	0	6	-	N	G	A	-	A	0	4	4	P	
<b>Air Headers</b>																
<b>Size</b>																
2	2" Pipe															
<b>Number of Outlet Ports</b>		<b>Approx. Length (L)</b>														
		<b>Dim. A 80 mm</b>					<b>Dim. A 120 mm</b>									
06	6 Outlets (3 on each side)	400 mm					480 mm									
08	8 Outlets (4 on each side)	470 mm					590 mm									
10	10 Outlets (5 on each side)	570 mm					730 mm									
12	12 Outlets (6 on each side)	650 mm					850 mm									
36	6 Outlets (3 on each side, offset)	500 mm					580 mm									
42	12 Outlets (6 on each side, offset)	740 mm					940 mm									
<b>Inlet</b>																
NGA	Flange 1" Class 150 RF	JN6	3/4 NPT Male													
NGB	Flange 1" Class 300 RF	JN8	1 NPT Male													
QLD	Flange EN1092-1 DN25 PN40 B1	LN6	3/4 NPT Female													
JJ6	G 3/4 Male (BSP Parallel)	LN8	1 NPT Female													
JR8	R 1 Male (BSP Tapered)															
LP6	Rp 3/4 Female (BSP Parallel)															
LP8	Rp 1 Female (BSP Parallel)															
<b>Outlet Port</b>		<b>Dimension A</b>														
A04	Ball Valve 1/2 NPT Female, Butterfly Handle	80 mm														
A02	Ball Valve 1/4 NPT Female, Butterfly Handle	80 mm														
B04	Ball Valve 1/2 NPT Female, Lever Operated	120 mm														
B02	Ball Valve 1/4 NPT Female, Lever Operated	120 mm														
ATD	Ball Valve, Butterfly Handle with Single Ferrule Tube Fitting Size 12S	80 mm														
BTD	Ball Valve, Lever Operated with Single Ferrule Tube Fitting Size 12S	120 mm														
AKD	Ball Valve, Butterfly Handle with Twin Ferrule Tube Fitting 12 mm	80 mm														
AKM	Ball Valve, Butterfly Handle with Twin Ferrule Tube Fitting 1/2"	80 mm														
BKD	Ball Valve, Lever Operated with Twin Ferrule Tube Fitting 12 mm	120 mm														
BKM	Ball Valve, Lever Operated with Twin Ferrule Tube Fitting 1/2"	120 mm														
004	1/2 NPT Male	80 mm														
002	1/4 NPT Male	80 mm														
<b>Drain Connection</b>																
4	Valve Type as above, 1/2 NPT plugged															
2	Valve Type as above, 1/4 NPT plugged															
J	1/2 NPT Male															
H	1/4 NPT Male															
<b>Material</b>																
P	Stainless Steel															
<b>Options – Specify in alphabetical order (digits first, then letters)</b>																
P	Mounting Bracket for 2" Pipe c/w 'U' Bolt															
W	Mounting Bracket for Wall Mounting															

# YOUR GLOBAL PARTNER

for Instrumentation and  
Double Block & Bleed Valves



Visit us on:



ARMATURENFABRIK FRANZ SCHNEIDER GMBH + CO. KG  
World Headquarters  
Bahnhofplatz 12, 74226 Nordheim, Germany  
Tel: +49 7133 101-0  
[www.as-schneider.com](http://www.as-schneider.com)



ARMATURENFABRIK FRANZ SCHNEIDER SRL  
Gradinari 32-38, 100404 Ploiesti  
Romania  
Tel: +40 244 384 963  
[www.as-schneider.ro](http://www.as-schneider.ro)



AS-SCHNEIDER ASIA-PACIFIC PTE. LTD.  
970 Toa Payoh North, #02-12/14/15, Singapore 318992,  
Singapore  
Tel: +65 62 51 39 00  
[www.as-schneider.sg](http://www.as-schneider.sg)



AS-SCHNEIDER AMERICA, INC.  
17471 Village Green Dr, Houston, TX 77040  
United States of America  
Tel: +1 281 760 1025  
[www.as-schneider.com](http://www.as-schneider.com)



AS-SCHNEIDER MIDDLE EAST FZE  
P.O. Box 18749, Dubai  
United Arab Emirates  
Tel: +971 4 880 85 75  
[www.as-schneider.ae](http://www.as-schneider.ae)



AS-1701-EN | April 2018