



Instrumentation Products

Flange Adaptors



Flange Adaptors

Product description

Piping and Instrumentation are linked by the AS-Schneider Flange Adaptors. The compact design eliminates the need for additional connections.

Features

Connection 1 (Flange connection)

- ASME B16.5 flange connection
Flange size 1/2" to 3"
Flange Class 150 to 2.500
- EN 1092-1 flange connection from
DN15 to DN80 and from PN10 to PN100

Connection 2

- Compression fitting DIN 2353
- Threaded
- Twin ferrule compression fitting

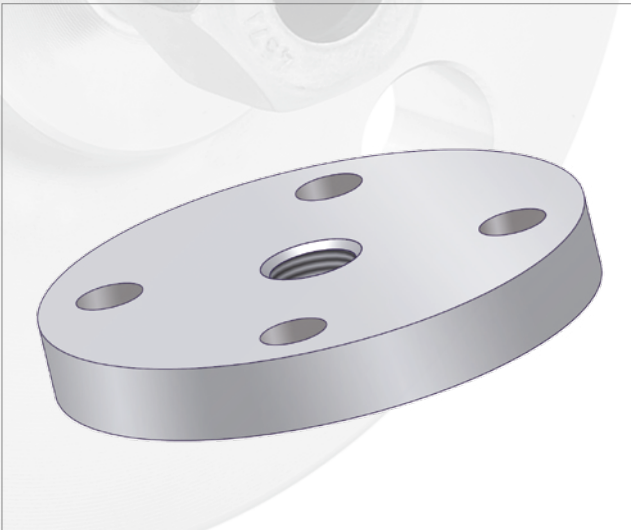
Materials

- ASME flanges A105 or 316/316L
- EN flanges 1.0460 or 1.4571

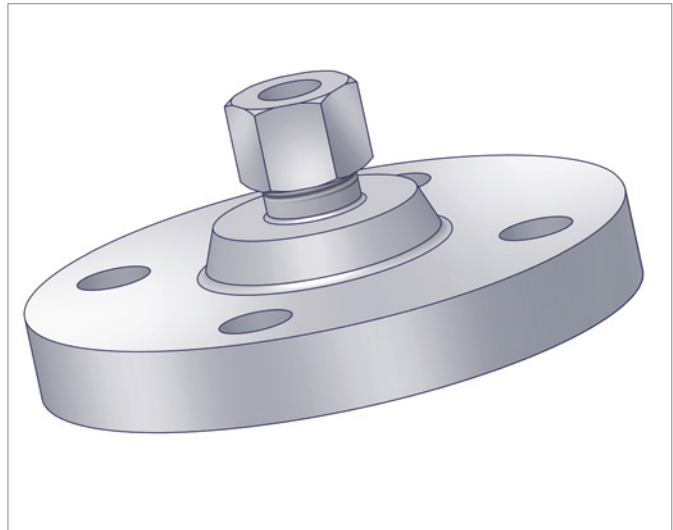
Optional Features

- NACE MR0175/ISO 15156 compliant materials
- Cleaned and degreased for oxygen service
- Certificates according EN 10204

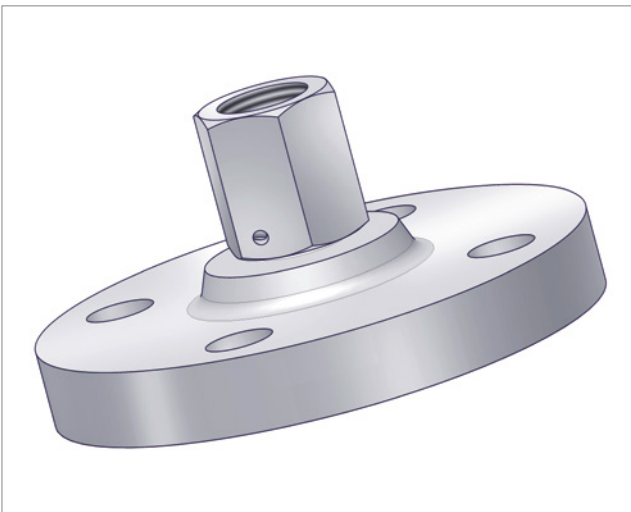
If you don't find your option please contact us.



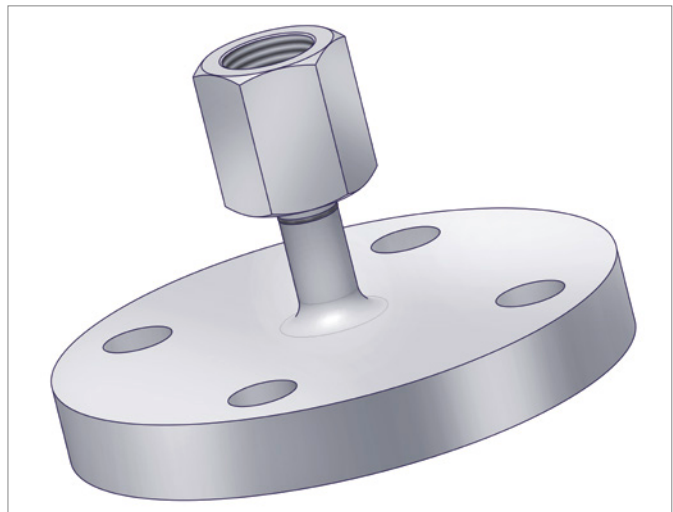
FAB-QLDLN4-P



FAN-QLDG14-P



FAN-QLDLGQ-P



FAN-QLDLGD-P

Flange Adaptors | Ordering Information

Ordering Information | Flange Adaptor

	1	2	3	4	5	6	7	8	9	10	11	12	13	14
	F	A	N	-	N	A	A	G	1	4	-	C		
Flange Adaptor *														
Flange type														
N	Flange, ASME													
Q	Flange, EN													
Connection 1 (Flange connection)														
ASME Flange							EN Flange							
A	1/2" RF						DN15 B1							
D	3/4" RF						DN15 C (tongue)							
F	3/4" RTJ						DN20 B1							
G	1" RF													
L							DN25 B1							
N	2" RF						DN25 B2							
P							DN25 C (tongue)							
Q	2" RTJ						DN25 D (groove)							
U	3" RF													
W	3" RTJ						DN50 B1							
Z							DN80 B1							
ASME Flange							EN Flange							
A	Class 150						PN 16 (only applicable to \geq DN50)							
B	Class 300													
C	Class 600						PN 40							
D	Class 900						PN 63 (only applicable to \geq DN50)							
E	Class 1500						PN 100							
F	Class 2500						PN 160							
G														
Connection 2														
G14	Compression fitting DIN2353 12S													
G15	Compression fitting DIN2353 14S													
LGB	Swivel nut G 1/4 (welded)													
LGD	Swivel nut G 1/2 (welded)													
LGN	Swivel nut G 1/4													
LGQ	Swivel nut G 1/2													
LN4	Female thread 1/2NPT (positions 1-3 change to FAB) Twin ferrule compression fitting on request													
Material														
ASME Flange							EN Flange							
C	A105						1.0460							
P							1.4571							
S	316L													
Optional Features														
B	Oxygen service													
N	NACE MR0175/ISO 15156													

* Type FAB – see Option Connection 2 – LN4



Armaturenfabrik Franz Schneider GmbH + Co.KG reserves the right to change materials, specifications or designs without notice.

YOUR GLOBAL PARTNER

for Instrumentation and
Double Block & Bleed Valves



Visit us on:



ARMATURENFABRIK FRANZ SCHNEIDER GMBH + CO. KG
World Headquarters
Bahnhofplatz 12, 74226 Nordheim, Germany
Tel: +49 7133 101-0
www.as-schneider.com



ARMATURENFABRIK FRANZ SCHNEIDER SRL
Gradinari 32-38, 100404 Ploiesti
Romania
Tel: +40 244 384 963
www.as-schneider.ro



AS-SCHNEIDER ASIA-PACIFIC PTE. LTD.
970 Toa Payoh North, #02-12/14/15, Singapore 318992,
Singapore
Tel: +65 62 51 39 00
www.as-schneider.sg



AS-SCHNEIDER AMERICA, INC.
17471 Village Green Dr, Houston, TX 77040
United States of America
Tel: +1 281 760 1025
www.as-schneider.com



AS-SCHNEIDER MIDDLE EAST FZE
P.O. Box 18749, Dubai
United Arab Emirates
Tel: +971 4 880 85 75
www.as-schneider.ae



AS-2801-EN | February 2021