

Instrumentation Products

Valves for Large-Bore Diesel Engines



Introduction

Introduction

The AS-Schneider Group with its headquarters in Germany is one of the World's Leading Manufacturers of Instrumentation Valves and Manifolds. In the market segment of Industrial Valves for Large-Bore Diesel Engines, such as those used in ship engines and for power generation, AS-Schneider is actually the World Market Leader.

Within the area Industrial Valves for Large-Bore Diesel Engines, AS-Schneider is supporting a customer base around the globe with a focus on the following four product lines:

- Indicator Valves
- Safety Relief Valves
- Fuel Valves
- Valves for Turbo-Charger Cleaning Equipment

Selection can be made from a comprehensive range of bodies with a variety of connections and material options, optimising installation and access opportunities. Many of the valves shown in this catalogue are available from stock or within a short period of time. If you need the dimensions for your individual type please contact the factory.

Continuous product development may from time to time necessitate changes in the details contained in this catalogue. AS-Schneider reserves the right to make such changes at their discretion and without prior notice.



Contents

Introduction	page 2
Contents	page 3
Indicator Valves Type S473	page 4
Indicator Valves Type N473 and Fuel Valves Type S475	page 5
Safety Relief Valves Type S476	page 6
Valves for Turbo-Charger Cleaning Equipment Type S474	page 7



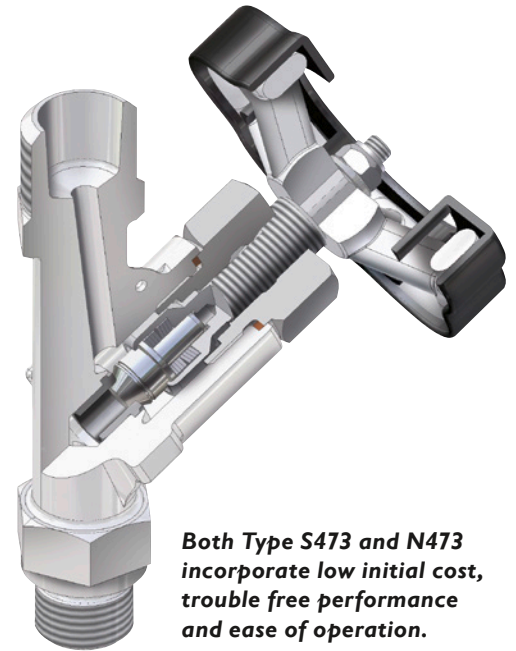
Indicator Valves Type S473

Indicator Valves Type S473

The core of the Indicator Valve Type S473 is the springloaded needle tip. This long established design prevents the valve from being opened due to engine vibration. It also allows easy operation even at high temperature service. Supplied c/w heat-protected handle.

Standard Features

- Max. allowable (Working) Pressure (PS): 300 bar
- Forged Carbon Steel Valve Body
- Stainless Steel Internal Parts
- Indicator Connection W 27 x 1/10", Female Cone or 1 3/16"-10, Male Cone
- Standard Engine Thread Connections:
 - British Standard Whitworth (BSW)
 - British Standard Pipe Parallel (BSP P),
Symbol G = External and Internal Parallel (ISO 228)
 - Metric Screw Threads (Coarse and Fine Pitch)
 - National Pipe Thread (NPT)
- Special Threads, Engine or Indicator End, are available



Both Type S473 and N473 incorporate low initial cost, trouble free performance and ease of operation.

Engine Connection	Instrument Connection	Operation	Part Number
3/4-10 BSW	W 27 x 1/10"	Handwheel	S473.20.100
3/4-10 BSW	W 27 x 1/10" c/w Seal Cap	Handwheel	S473.20.500
3/4-10 BSW	W 27 x 1/10"	T Handle Key	S473.20.130
3/4-10 BSW	W 27 x 1/10" c/w Seal Cap	T Handle Key	S473.20.530
G 1/2 (1/2 BSP)	W 27 x 1/10"	Handwheel	S473.30.100
G 1/2 (1/2 BSP)	W 27 x 1/10" c/w Seal Cap	Handwheel	S473.30.500
G 1/2 (1/2 BSP)	W 27 x 1/10"	T Handle Key	S473.30.130
G 1/2 (1/2 BSP)	W 27 x 1/10" c/w Seal Cap	T Handle Key	S473.30.530
M 20 x 1.5	W 27 x 1/10"	Handwheel	S473.50.100
M 20 x 1.5	W 27 x 1/10" c/w Seal Cap	Handwheel	S473.50.500
M 20 x 1.5	W 27 x 1/10"	T Handle Key	S473.50.130
M 20 x 1.5	W 27 x 1/10" c/w Seal Cap	T Handle Key	S473.50.530
M 20 x 2	W 27 x 1/10"	Handwheel	S473.60.100
M 20 x 2	W 27 x 1/10" c/w Seal Cap	Handwheel	S473.60.500
M 20 x 2	W 27 x 1/10"	T Handle Key	S473.60.130
M 20 x 2	W 27 x 1/10" c/w Seal Cap	T Handle Key	S473.60.530
M 20	W 27 x 1/10"	Handwheel	S473.70.100
M 20	W 27 x 1/10" c/w Seal Cap	Handwheel	S473.70.500
M 20	W 27 x 1/10"	T Handle Key	S473.70.130
M 20	W 27 x 1/10" c/w Seal Cap	T Handle Key	S473.70.530
G 3/8 Female	W 27 x 1/10"	Handwheel	S473.90.100
G 3/8 Female	W 27 x 1/10" c/w Seal Cap	Handwheel	S473.90.500
3/4-10 BSW	W 27 x 1/10"	Handwheel	S473.92.100
3/4-10 BSW	W 27 x 1/10" c/w Seal Cap	Handwheel	S473.92.500
M 20 x 1.5	W 27 x 1/10"	Handwheel	S473.55.100
M 20 x 1.5	W 27 x 1/10" c/w Seal Cap	Handwheel	S473.55.500

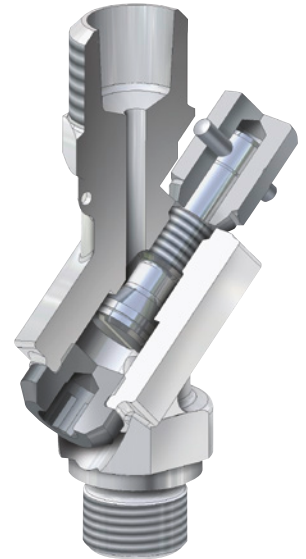
Indicator Valves Type N473 and Fuel Valves Type S475

Indicator Valves Type N473

Indicator Valve Type N473 allows a reduced installation radius at limited space. Valve opens "against engine pressure" and closes "with engine pressure". Any movement of the valve stem due to engine vibration tends to tighten the valve stem against its seat thus eliminating the possibility of opening under operating conditions.

Standard Features

- Max. allowable (Working) Pressure (PS): 300 bar
- Forged Carbon Steel Valve Body
- Stainless Steel Internal Parts
- Indicator Connection W 27 x 1/10", Female Cone or 1 3/16"-10, Male Cone
- Standard Engine Thread Connections:
 - British Standard Whitworth (BSW)
 - British Standard Pipe Parallel (BSP P),
Symbol G = External and Internal Parallel (ISO 228)
 - Metric Screw Threads (Coarse and Fine Pitch)
 - National Pipe Thread (NPT)
- Special Threads, Engine or Indicator End, are available

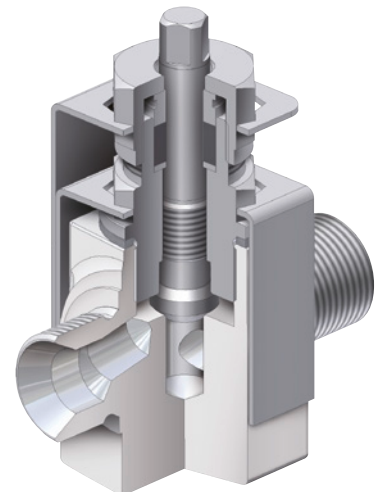


Engine Connection	Instrument Connection	Operation	Part Number
3/4-10 BSW	W 27 x 1/10"	T Handle Key	N473.97.100.01
M 20 x 2	W 27 x 1/10"	T Handle Key	N473.97.100.06
M 20 x 1.5 c/w Seal Cap	W 27 x 1/10"	T Handle Key	N473.97.100.08
1/2 NPT	W 27 x 1/10"	T Handle Key	N473.97.100.11
M 20 x 1.5	W 27 x 1/10"	T Handle Key	N473.97.100.12
G 1/2	W 27 x 1/10"	T Handle Key	N473.97.110.02
M 20 x 1.5 Swivel	W 27 x 1/10"	T Handle Key	N473.97.190.07

Fuel Valves Type S475

Fuel Valves Type S475 especially suited for heavy-oil operation. Equipped with graphite packing for high-temperature service. Valve Stem with back seat – metal to metal secondary stem seal.

Inlet	Outlet	Operation	Part Number
M 27 x 2	M 27 x 2	T Handle Key	S475.00.130
M 26 x 1.5	M 26 x 1.5	T Handle Key	S475.00.170
M 26 x 1.5	M 26 x 1.5	Handwheel	S475.00.180
M 27 x 2	M 27 x 2	T Handle Key	S475.00.190
Tube Fitting O.D. 20 mm	Tube Fitting O.D. 20 mm	T Handle Key	S475.01.121
Tube Fitting O.D. 22 mm	Tube Fitting O.D. 22 mm	Handwheel	S475.01.130
M 30 x 1.5	M 30 x 1.5	T Handle Key	S475.01.170
Socket Weld Dia. 20 mm	Socket Weld Dia. 20 mm	T Handle Key	S475.06.100
Flanged	Flanged	T Handle Key	S475.06.102



Safety Relief Valves Type S476

Safety Relief Valves Type S476

Safety Relief Valves Type S476 are furnished in a variety of thread sizes and set pressures from 45 bar up to 350 bar.

Connection Engine Side	Set Pressure (bar)	Part Number	Connection Engine Side	Set Pressure (bar)	Part Number
M 22 x 1.5	150	S476.03.220.01	3/4-10 BSW	150	S476.04.220.01
M 22 x 1.5	155	S476.03.221.01	3/4-10 BSW	155	S476.04.221.01
M 22 x 1.5	160	S476.03.222.01	3/4-10 BSW	160	S476.04.222.01
M 22 x 1.5	165	S476.03.223.01	3/4-10 BSW	165	S476.04.223.01
M 22 x 1.5	170	S476.03.224.01	3/4-10 BSW	170	S476.04.224.01
M 22 x 1.5	175	S476.03.225.01	3/4-10 BSW	175	S476.04.225.01
M 22 x 1.5	180	S476.03.226.01	3/4-10 BSW	180	S476.04.226.01
M 22 x 1.5	185	S476.03.227.01	3/4-10 BSW	185	S476.04.227.01
M 22 x 1.5	190	S476.03.228.01	3/4-10 BSW	190	S476.04.228.01
M 22 x 1.5	195	S476.03.229.01	3/4-10 BSW	195	S476.04.229.01
M 22 x 1.5	200	S476.03.230.01	3/4-10 BSW	200	S476.04.230.01
M 22 x 1.5	205	S476.03.231.01	3/4-10 BSW	205	S476.04.231.01
M 22 x 1.5	210	S476.03.232.01	3/4-10 BSW	210	S476.04.232.01
M 22 x 1.5	215	S476.03.233.01	3/4-10 BSW	215	S476.04.233.01
M 22 x 1.5	220	S476.03.234.01	3/4-10 BSW	220	S476.04.234.01
M 22 x 1.5	225	S476.03.235.01	3/4-10 BSW	225	S476.04.235.01
M 22 x 1.5	230	S476.03.236.01	3/4-10 BSW	230	S476.04.236.01
M 22 x 1.5	235	S476.03.237.01	3/4-10 BSW	235	S476.04.237.01
M 22 x 1.5	240	S476.03.238.01	3/4-10 BSW	240	S476.04.238.01
M 22 x 1.5	245	S476.03.239.05	3/4-10 BSW	245	S476.04.239.05



Valves for Turbo-Charger Cleaning Equipment Type S474

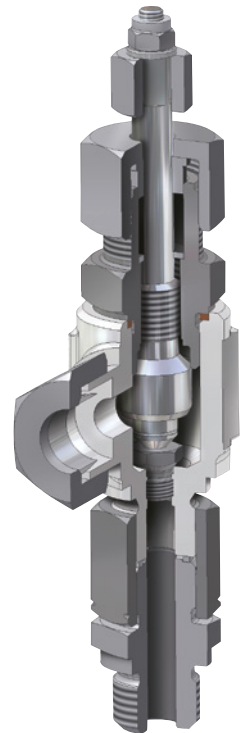
Valves for Turbo-Charger Cleaning Equipment Type S474

Valves for Turbo-Charger Cleaning Equipment Type S474 are used to clean the turbine blades of turbo-chargers. Suitable for exhaust-gas turbo-chargers of all manufacturers.

Standard Features

- Forged Stainless Steel Valve Body
- Nozzle Diameters from 2.0 up to 7.5 mm, in steps of 0.5 mm

Inlet	Outlet	Stem Thread	Nozzle Diameter mm	Part Number
Adjusting Nut G 1/2-LH	Tube Fitting O.D. 16 mm	Internal	2.0	S474.00.100.20
Adjusting Nut G 1/2-LH	Tube Fitting O.D. 16 mm	Internal	2.5	S474.00.100.25
Adjusting Nut G 1/2-LH	Tube Fitting O.D. 16 mm	Internal	3.0	S474.00.100.30
Adjusting Nut G 1/2-LH	Tube Fitting O.D. 16 mm	Internal	3.5	S474.00.100.35
Adjusting Nut G 1/2-LH	Tube Fitting O.D. 16 mm	Internal	4.0	S474.00.100.40
Adjusting Nut G 1/2-LH	Tube Fitting O.D. 16 mm	Internal	4.5	S474.00.100.45
Adjusting Nut G 1/2-LH	Tube Fitting O.D. 16 mm	Internal	5.0	S474.00.100.50
Male Thread G 1/2	Tube Fitting O.D. 16 mm	Internal	2.0	S474.00.120.20
Male Thread G 1/2	Tube Fitting O.D. 16 mm	Internal	2.5	S474.00.120.25
Male Thread G 1/2	Tube Fitting O.D. 16 mm	Internal	3.0	S474.00.120.30
Male Thread G 1/2	Tube Fitting O.D. 16 mm	Internal	3.5	S474.00.120.35
Male Thread G 1/2	Tube Fitting O.D. 16 mm	Internal	4.0	S474.00.120.40
Male Thread G 1/2	Tube Fitting O.D. 16 mm	Internal	4.5	S474.00.120.45
Male Thread G 1/2	Tube Fitting O.D. 16 mm	Internal	5.0	S474.00.120.50
Male Thread G 1/2	Tube Fitting O.D. 16 mm	External	2.0	S474.11.120.20
Male Thread G 1/2	Tube Fitting O.D. 16 mm	External	2.5	S474.11.120.25
Male Thread G 1/2	Tube Fitting O.D. 16 mm	External	3.0	S474.11.120.30
Male Thread G 1/2	Tube Fitting O.D. 16 mm	External	3.5	S474.11.120.35
Male Thread G 1/2	Tube Fitting O.D. 16 mm	External	4.0	S474.11.120.40
Male Thread G 1/2	Tube Fitting O.D. 16 mm	External	4.5	S474.11.120.45
Male Thread G 1/2	Tube Fitting O.D. 16 mm	External	5.0	S474.11.120.50



YOUR GLOBAL PARTNER

for Instrumentation and
Double Block & Bleed Valves



Visit us on:



ARMATURENFABRIK FRANZ SCHNEIDER GMBH + CO. KG
World Headquarters
Bahnhofplatz 12, 74226 Nordheim, Germany
Tel: +49 7133 101-0
www.as-schneider.com



ARMATURENFABRIK FRANZ SCHNEIDER SRL
Gradinari 32-38, 100404 Ploiesti
Romania
Tel: +40 244 384 963
www.as-schneider.ro



AS-SCHNEIDER ASIA-PACIFIC PTE. LTD.
970 Toa Payoh North, #02-12/14/15, Singapore 318992,
Singapore
Tel: +65 62 51 39 00
www.as-schneider.sg



AS-SCHNEIDER AMERICA, INC.
17471 Village Green Dr, Houston, TX 77040
United States of America
Tel: +1 281 760 1025
www.as-schneider.com



AS-SCHNEIDER MIDDLE EAST FZE
P.O. Box 18749, Dubai
United Arab Emirates
Tel: +971 4 880 85 75
www.as-schneider.ae



AS-7702-EN | April 2018