

Gasdruckthermometer mit Schaltkontakt CrNi-Stahl-Ausführung Typ TGS73

WIKA-Datenblatt TV 27.01



Weitere Zulassungen
siehe Seite 15

Anwendungen

- Steuern und Regeln von Industrieprozessen
- Anlagenüberwachung und Schalten von Stromkreisen
- Universeller Einsatz im Maschinen-, Anlagen-, Behälter-, Apparatebau und Lebensmittelindustrie
- Temperaturmessung ohne Messstoffberührung
- Einbau in Messtafeln, Steuerschränke, Schaltpulte

Leistungsmerkmale

- Geräte erfüllen höchste messtechnische Anforderungen
- Gehäuse und Tauchschaft aus CrNi-Stahl
- Zur Außenmontage an Rohren oder Behältern
- Geräte mit Induktivkontakten für den Einsatz in explosionsgefährdeten Bereichen
- Geräte mit Kontakten für SPS-Anwendungen

Beschreibung

Überall dort, wo die Prozesstemperatur vor Ort oder an schwer zugänglichen Stellen angezeigt werden muss und gleichzeitig Stromkreise geschaltet werden sollen, findet das Gasdruckthermometer mit Schaltkontakt seinen Einsatz.

Die Gasdruckthermometer Typ TGS73 können durch ihre unterschiedlichen Ausführungen an jeden Prozessanschluss und Prozessort bestens angepasst werden. Bei der Ausführung Gehäuse dreh- und schwenkbar kann das Gehäuse genau auf den gewünschten Blickwinkel eingestellt werden. Bei der Ausführung mit Anliegeföhler (ohne direkten Messstoffkontakt) kann die Temperatur selbst an kleinsten Rohrdurchmessern gemessen und geschaltet werden. Der Anliegeföhler ist vorgesehen zur Außenmontage an Rohren und Behältern. Die Montage ist so durchzuführen, dass der Anliegeföhler über seine gesamte Länge auf der Messstelle aufliegt.



Abb. oben: Anschlusslage unten
Abb. unten: Anschlusslage rückseitig

Schaltkontakte (elektrische Grenzsignalgeber) schließen oder öffnen Stromkreise in Abhängigkeit der Zeigerstellung des anzeigenden Messgeräts. Die Schaltkontakte sind über den gesamten Messbereich einstellbar. Unabhängig von der Einstellung ist der Instrumentenzeiger (Istwertzeiger) im gesamten Anzeigebereich frei beweglich. Der Sollwertzeiger lässt sich über einen abnehmbaren Verstell Schlüssel (befestigt an der Kabeldose) in der Sichtscheibe einstellen. Bei Schaltkontakten mit mehreren Kontakten ist die Einstellung auch auf nur einen Sollwert möglich. Ein Über- oder Unterschreiten des eingestellten Sollwerts durch den Istwertzeiger bewirkt die Auslösung des Schaltvorgangs.

Als Schaltkontakte stehen Magnetspringkontakte, Induktivkontakte und Elektronikkontakte zur Verfügung. Induktivkontakte können in Ex-Bereichen eingesetzt werden. Zur Ansteuerung von speicherprogrammierbaren Steuerungen (SPS) können Elektronikkontakte verwendet werden.

Technische Daten

Basisinformationen	
Norm	DIN 16196
Nenngröße in mm ["]	<ul style="list-style-type: none"> ■ 100 [4] ■ 160 [6]
Sichtscheibe	Mehrschichten-Sicherheitsglas, Polycarbonat
Anschlusslage	<ul style="list-style-type: none"> ■ Rückseitig (axial) ■ Unten (radial) ■ Rückseitig, dreh- und schwenkbar ■ Ausführung mit Fernleitung
Anschlussbauform	→ Zeichnungen siehe Seite 16
S	Standard (Gewindeanschluss, fest) ¹⁾
1	Anschluss glatt (ohne Gewinde)
2	Anschluss drehbar
3	Überwurfmutter
4	Klemmverschraubung (verschiebbar auf Tauchschaft)
5	Überwurfmutter und lose Verschraubung
6	Klemmverschraubung (verschiebbar auf Fernleitung bzw. Spiralschutzschlauch)
7	Klemmverschraubung am Gehäuse ¹⁾
Gehäuseausführung „dreh- und schwenkbar“	90° schwenkbar und 360° drehbar
Dämpfung, Gehäusefüllung	<ul style="list-style-type: none"> ■ Ohne ■ Mit Flüssigkeitsdämpfung
Werkstoff (nicht-messstoffberührt)	
Gehäuse, Bajonettring	CrNi-Stahl 304
Zeiger	Aluminium, schwarz, Mikroverstellung
Gelenk „dreh- und schwenkbar“	CrNi-Stahl 304
Zifferblatt	Aluminium (weiß)

1) Nicht bei Ausführung mit Fernleitung

Messelement		
Art des Messelements	Gasdruck-Inertgasfüllung, physiologisch unbedenklich	
Verwendungsbereich		
Dauerbelastung (1 Jahr)	Messbereich nach DIN 16196	
Kurzzeitig (max. 24 h)	Anzeigebereich nach DIN 16196	
Fernleitung		
Durchmesser	Ø 2 mm [0,08 in]	
Spiralschutzschlauch	Ø 7 mm [0,28 in]	
Länge	Fernleitung ohne Spiralschutzschlauch	Max. 60 m [197 ft]
	Fernleitung mit Spiralschutzschlauch	Max. 40 m [131 ft]
	Fernleitung mit Spiralschutzschlauch und PVC-Beschichtung	Max. 20 m [66 ft]
Minimaler Biegeradius	Fernleitung ohne Spiralschutzschlauch	6 mm [0,24 in]
	Fernleitung mit Spiralschutzschlauch	20 mm [0,79 in]
	Fernleitung mit Spiralschutzschlauch und PVC-Beschichtung	30 mm [1,18 in]
Werkstoff (in Kontakt mit der Umgebung)	CrNi-Stahl 316	
Befestigungsarten	<ul style="list-style-type: none"> ■ Befestigungsrand hinten, CrNi-Stahl ■ Messgerätehalter, Aluminium-Druckguss ■ Befestigungsrand vorn, CrNi-Stahl 	
Anliegeföhler		
Abmessungen	120 x 22 x 12 mm [4,72 x 0,87 x 0,47 in]	
Montagearten	<ul style="list-style-type: none"> ■ Montage an Rohren ■ Montage an Behältern 	

Messelement	
Werkstoff (nicht-messstoffberührt)	CrNi-Stahl 316

Genauigkeitsangaben	
Genauigkeit	Klasse 1 nach DIN 16196 bei 23 °C ±10 °C Umgebungstemperatur

Anzeigebereich in °C	Messbereich ¹⁾ in °C	Skalenteilungswert in °C	Fehlergrenze nach DIN 16196 in °C
-80 ... +60	-60 ... +40	2	3,0
-60 ... +40	-50 ... +30	1	1,5
-40 ... +60	-30 ... +50	1	1,5
-30 ... +50	-20 ... +40	1	1,5
-30 ... +70	-20 ... +60	1	1,5
-20 ... +40	-10 ... +30	1	1,5
-20 ... +60	-10 ... +50	1	1,5
-20 ... +80	-10 ... +70	1	1,5
-20 ... +100	-10 ... +90	1	1,5
-20 ... +120	0 ... 100	2	3,0
0 ... 60	10 ... 50	1	1,5
0 ... 80	10 ... 70	1	1,5
0 ... 100	10 ... 90	1	1,5
0 ... 120	10 ... 110	2	3,0
0 ... 150	20 ... 130	2	3,0
0 ... 160	20 ... 140	2	3,0
0 ... 200	20 ... 180	2	3,0
0 ... 250	30 ... 220	5	3,75
0 ... 300	30 ... 270	5	7,5
0 ... 400	50 ... 350	5	7,5
0 ... 500	50 ... 450	5	7,5
0 ... 600	100 ... 500	10	15,0
0 ... 700	100 ... 600	10	15,0

1) Der Messbereich ist durch zwei Dreieckmarkierungen auf dem Zifferblatt begrenzt. Innerhalb dieses Bereiches gilt nach DIN 16196 die genannte Fehlergrenze.

Im Auslieferungszustand sind - wenn nicht anders angegeben - die verstellbaren Schalterpunkte werkseitig wie folgt eingestellt:

- Einfachkontakt Messbereichsanfang
- Zweifachkontakt Messbereichsanfang und -ende

Weitere Angaben zu: Anzeigebereich	
Einheit	<input type="checkbox"/> °C <input type="checkbox"/> °F <input type="checkbox"/> °C/°F (Doppelteilung) <input type="checkbox"/> °F/°C (Doppelskala)
Zifferblatt	
Skalenteilung	<input type="checkbox"/> Einfachskale <input type="checkbox"/> Doppelskale
Skalenfarbe	Einfachskale Schwarz
	Doppelskale Rot
	→ Weitere Farben auf Anfrage
Zeiger	
Ausführung	Verstellzeiger

Bauform	1			2 und 3			4 und 5			S		
Tauchschaftdurchmesser in mm [in]	6 [0,24]	8 [0,32]	≥ 10 [0,40]	6 [0,24]	8 [0,32]	≥ 10 [0,40]	6 [0,24]	8 [0,32]	≥ 10 [0,40]	6 [0,24]	8 [0,32]	≥ 10 [0,40]
Anzeigebereich in °C	Mindesteinbaulänge in mm [in]											
Anschlusslage rückseitig und Anschlusslage unten												
-80 ... +60	95 [3,74]	60 [2,36]	60 [2,36]	95 [3,74]	60 [2,36]	60 [2,36]	90 [3,54]	60 [2,36]	60 [2,36]	110 [4,33]	75 [2,95]	75 [2,95]
-60 ... +40	105 [4,13]	70 [2,76]	60 [2,36]	105 [4,13]	70 [2,76]	60 [2,36]	100 [3,94]	65 [2,56]	60 [2,36]	120 [4,72]	85 [3,35]	75 [2,95]
-40 ... +60	105 [4,13]	70 [2,76]	60 [2,36]	105 [4,13]	70 [2,76]	60 [2,36]	100 [3,94]	65 [2,56]	60 [2,36]	120 [4,72]	85 [3,35]	75 [2,95]
-30 ... +50	125 [4,92]	75 [2,95]	60 [2,36]	125 [4,92]	75 [2,95]	60 [2,36]	120 [4,72]	70 [2,76]	60 [2,36]	140 [5,51]	90 [3,54]	75 [2,95]
-30 ... +70	105 [4,13]	70 [2,76]	60 [2,36]	80 [3,15]	60 [2,36]	60 [2,36]	95 [3,74]	60 [2,36]	60 [2,36]	95 [3,74]	75 [2,95]	75 [2,95]
-20 ... +40	135 [5,31]	95 [3,74]	65 [2,56]	115 [4,53]	70 [2,76]	60 [2,36]	125 [4,92]	85 [3,35]	60 [2,36]	125 [4,92]	85 [3,35]	75 [2,95]
-20 ... +60	125 [4,92]	85 [3,35]	60 [2,36]	125 [4,92]	85 [3,35]	60 [2,36]	120 [4,72]	80 [3,15]	60 [2,36]	140 [5,51]	100 [3,94]	75 [2,95]
-20 ... +80	105 [4,13]	70 [2,76]	60 [2,36]	105 [4,13]	70 [2,76]	60 [2,36]	100 [3,94]	65 [2,56]	60 [2,36]	120 [4,72]	85 [3,35]	75 [2,95]
-20 ... +100	100 [3,94]	65 [2,56]	60 [2,36]	80 [3,15]	60 [2,36]	60 [2,36]	90 [3,54]	60 [2,36]	60 [2,36]	90 [3,54]	75 [2,95]	75 [2,95]
-20 ... +120	100 [3,94]	65 [2,56]	60 [2,36]	75 [2,95]	60 [2,36]	60 [2,36]	90 [3,54]	60 [2,36]	60 [2,36]	90 [3,54]	75 [2,95]	75 [2,95]
0 ... 60	155 [6,10]	95 [3,74]	75 [2,95]	155 [6,10]	95 [3,74]	75 [2,95]	150 [5,91]	90 [3,54]	70 [2,76]	170 [6,69]	110 [4,33]	90 [3,54]
0 ... 80	125 [4,92]	85 [3,35]	60 [2,36]	125 [4,92]	85 [3,35]	60 [2,36]	120 [4,72]	80 [3,15]	60 [2,36]	140 [5,51]	100 [3,94]	75 [2,95]
0 ... 100	115 [4,53]	75 [2,95]	60 [2,36]	115 [4,53]	75 [2,95]	60 [2,36]	110 [4,33]	70 [2,76]	60 [2,36]	130 [5,12]	90 [3,54]	75 [2,95]
0 ... 120	95 [3,74]	70 [2,76]	60 [2,36]	95 [3,74]	70 [2,76]	60 [2,36]	90 [3,54]	65 [2,56]	60 [2,36]	110 [4,33]	85 [3,35]	75 [2,95]
0 ... 150	100 [3,94]	65 [2,56]	60 [2,36]	75 [2,95]	60 [2,36]	60 [2,36]	90 [3,54]	60 [2,36]	60 [2,36]	90 [3,54]	75 [2,95]	75 [2,95]
0 ... 160	95 [3,74]	60 [2,36]	60 [2,36]	95 [3,74]	60 [2,36]	60 [2,36]	90 [3,54]	60 [2,36]	60 [2,36]	110 [4,33]	75 [2,95]	75 [2,95]
0 ... 200	95 [3,74]	60 [2,36]	60 [2,36]	95 [3,74]	60 [2,36]	60 [2,36]	90 [3,54]	60 [2,36]	60 [2,36]	110 [4,33]	75 [2,95]	75 [2,95]
0 ... 250	75 [2,95]	60 [2,36]	60 [2,36]	75 [2,95]	60 [2,36]	60 [2,36]	70 [2,76]	60 [2,36]	60 [2,36]	90 [3,54]	75 [2,95]	75 [2,95]
0 ... 300	105 [4,13]	90 [3,54]	90 [3,54]	95 [3,74]	80 [3,15]	80 [3,15]	70 [2,76]	60 [2,36]	60 [2,36]	90 [3,54]	75 [2,95]	75 [2,95]
0 ... 400	105 [4,13]	90 [3,54]	90 [3,54]	95 [3,74]	80 [3,15]	80 [3,15]	70 [2,76]	60 [2,36]	60 [2,36]	90 [3,54]	75 [2,95]	75 [2,95]
0 ... 500	165 [6,50]	130 [5,12]	130 [5,12]	155 [6,10]	120 [4,72]	120 [4,72]	125 [4,92]	90 [3,54]	90 [3,54]	150 [5,91]	115 [4,53]	115 [4,53]
0 ... 600	145 [5,71]	130 [5,12]	130 [5,12]	135 [5,31]	120 [4,72]	120 [4,72]	105 [4,13]	90 [3,54]	90 [3,54]	130 [5,12]	115 [4,53]	115 [4,53]
0 ... 700	165 [6,50]	145 [5,71]	130 [5,12]	155 [6,10]	135 [5,31]	120 [4,72]	125 [4,92]	105 [4,13]	90 [3,54]	150 [5,91]	130 [5,12]	115 [4,53]

Bauform	1			2 und 3			4 und 5			S		
Tauchschaftdurchmesser in mm [in]	6 [0,24]	8 [0,32]	≥ 10 [0,40]	6 [0,24]	8 [0,32]	≥ 10 [0,40]	6 [0,24]	8 [0,32]	≥ 10 [0,40]	6 [0,24]	8 [0,32]	≥ 10 [0,40]
Anzeigebereich in °C	Mindesteinbaulänge in mm [in]											
Anschlusslage rückseitig, dreh- und schwenkbar												
-80...+60	80 [3,15]	60 [2,36]	60 [2,36]	80 [3,15]	60 [2,36]	60 [2,36]	90 [3,54]	60 [2,36]	60 [2,36]	100 [3,94]	65 [2,56]	65 [2,56]
-60...+40	90 [3,54]	60 [2,36]	60 [2,36]	90 [3,54]	60 [2,36]	60 [2,36]	100 [3,94]	65 [2,56]	60 [2,36]	110 [4,33]	75 [2,95]	65 [2,56]
-40...+60	90 [3,54]	60 [2,36]	60 [2,36]	90 [3,54]	60 [2,36]	60 [2,36]	100 [3,94]	65 [2,56]	60 [2,36]	110 [4,33]	75 [2,95]	65 [2,56]
-30...+50	110 [4,33]	60 [2,36]	60 [2,36]	110 [4,33]	60 [2,36]	60 [2,36]	120 [4,72]	70 [2,76]	60 [2,36]	130 [5,12]	80 [3,15]	65 [2,56]
-30...+70	90 [3,54]	60 [2,36]	60 [2,36]	90 [3,54]	60 [2,36]	60 [2,36]	95 [3,74]	60 [2,36]	60 [2,36]	105 [4,13]	70 [2,76]	60 [2,36]
-20...+40	120 [4,72]	80 [3,15]	60 [2,36]	120 [4,72]	80 [3,15]	60 [2,36]	125 [4,92]	85 [3,35]	60 [2,36]	135 [5,31]	95 [3,74]	65 [2,56]
-20...+60	110 [4,33]	70 [2,76]	60 [2,36]	110 [4,33]	70 [2,76]	60 [2,36]	120 [4,72]	80 [3,15]	60 [2,36]	130 [5,12]	90 [3,54]	65 [2,56]
-20...+80	90 [3,54]	60 [2,36]	60 [2,36]	90 [3,54]	60 [2,36]	60 [2,36]	100 [3,94]	65 [2,56]	60 [2,36]	110 [4,33]	75 [2,95]	65 [2,56]
-20...+100	85 [3,35]	60 [2,36]	60 [2,36]	85 [3,35]	60 [2,36]	60 [2,36]	90 [3,54]	60 [2,36]	60 [2,36]	100 [3,94]	65 [2,56]	60 [2,36]
-20...+120	85 [3,35]	60 [2,36]	60 [2,36]	85 [3,35]	60 [2,36]	60 [2,36]	90 [3,54]	60 [2,36]	60 [2,36]	100 [3,94]	65 [2,56]	60 [2,36]
0...60	140 [5,51]	80 [3,15]	60 [2,36]	140 [5,51]	80 [3,15]	60 [2,36]	150 [5,91]	90 [3,54]	70 [2,76]	160 [6,29]	100 [3,94]	80 [3,15]
0...80	110 [4,33]	70 [2,76]	60 [2,36]	110 [4,33]	70 [2,76]	60 [2,36]	120 [4,72]	80 [3,15]	60 [2,36]	130 [5,12]	90 [3,54]	65 [2,56]
0...100	100 [3,94]	60 [2,36]	60 [2,36]	100 [3,94]	60 [2,36]	60 [2,36]	110 [4,33]	70 [2,76]	60 [2,36]	120 [4,72]	80 [3,15]	65 [2,56]
0...120	80 [3,15]	60 [2,36]	60 [2,36]	80 [3,15]	60 [2,36]	60 [2,36]	90 [3,54]	65 [2,56]	60 [2,36]	100 [3,94]	75 [2,95]	65 [2,56]
0...150	85 [3,35]	60 [2,36]	60 [2,36]	85 [3,35]	60 [2,36]	60 [2,36]	90 [3,54]	60 [2,36]	60 [2,36]	100 [3,94]	65 [2,56]	60 [2,36]
0...160	80 [3,15]	60 [2,36]	60 [2,36]	80 [3,15]	60 [2,36]	60 [2,36]	90 [3,54]	60 [2,36]	60 [2,36]	100 [3,94]	65 [2,56]	65 [2,56]
0...200	80 [3,15]	60 [2,36]	60 [2,36]	80 [3,15]	60 [2,36]	60 [2,36]	90 [3,54]	60 [2,36]	60 [2,36]	100 [3,94]	65 [2,56]	65 [2,56]
0...250	60 [2,36]	60 [2,36]	60 [2,36]	60 [2,36]	60 [2,36]	60 [2,36]	70 [2,76]	60 [2,36]	60 [2,36]	80 [3,15]	65 [2,56]	65 [2,56]
0...300	60 [2,36]	60 [2,36]	60 [2,36]	60 [2,36]	60 [2,36]	60 [2,36]	70 [2,76]	60 [2,36]	60 [2,36]	80 [3,15]	65 [2,56]	65 [2,56]
0...400	60 [2,36]	60 [2,36]	60 [2,36]	60 [2,36]	60 [2,36]	60 [2,36]	70 [2,76]	60 [2,36]	60 [2,36]	80 [3,15]	65 [2,56]	65 [2,56]
0...500	120 [4,72]	85 [3,35]	85 [3,35]	120 [4,72]	85 [3,35]	85 [3,35]	90 [3,54]	60 [2,36]	60 [2,36]	135 [5,31]	100 [3,94]	100 [3,94]
0...600	100 [3,94]	85 [3,35]	85 [3,35]	100 [3,94]	85 [3,35]	85 [3,35]	70 [2,76]	60 [2,36]	60 [2,36]	115 [4,53]	100 [3,94]	100 [3,94]
0...700	120 [4,72]	100 [3,94]	85 [3,35]	120 [4,72]	100 [3,94]	85 [3,35]	90 [3,54]	70 [2,76]	60 [2,36]	135 [5,31]	115 [4,53]	100 [3,94]

Bauform	1			2 und 3			4 und 5			S		
Tauchschaftdurchmesser in mm [in]	6 [0,24]	8 [0,32]	≥ 10 [0,40]	6 [0,24]	8 [0,32]	≥ 10 [0,40]	6 [0,24]	8 [0,32]	≥ 10 [0,40]	6 [0,24]	8 [0,32]	≥ 10 [0,40]
Anzeigebereich in °C	Mindesteinbaulänge in mm [in]											
Fernleitung ≤ 5 m [16 ft]												
-80...+60	115 [4,53]	80 [3,15]	70 [2,76]	110 [4,33]	75 [2,95]	65 [2,56]	100 [3,94]	65 [2,56]	60 [2,36]	-	-	-
-60...+40	135 [5,31]	95 [3,74]	70 [2,76]	130 [5,12]	90 [3,54]	65 [2,56]	120 [4,72]	80 [3,15]	60 [2,36]	-	-	-
-40...+60	135 [5,31]	95 [3,74]	70 [2,76]	130 [5,12]	90 [3,54]	65 [2,56]	120 [4,72]	80 [3,15]	60 [2,36]	-	-	-
-30...+50	145 [5,71]	105 [4,13]	75 [2,95]	140 [5,51]	100 [3,94]	70 [2,76]	130 [5,12]	90 [3,54]	60 [2,36]	-	-	-
-30...+70	90 [3,54]	60 [2,36]	70 [2,76]	90 [3,54]	60 [2,36]	60 [2,36]	105 [4,13]	65 [2,56]	60 [2,36]	-	-	-
-20...+40	120 [4,72]	70 [2,76]	60 [2,36]	125 [4,92]	75 [2,95]	60 [2,36]	135 [5,31]	85 [3,35]	60 [2,36]	-	-	-
-20...+60	145 [5,71]	105 [4,13]	75 [2,95]	140 [5,51]	100 [3,94]	70 [2,76]	130 [5,12]	90 [3,54]	60 [2,36]	-	-	-
-20...+80	135 [5,32]	95 [3,74]	70 [2,76]	130 [5,12]	90 [3,54]	65 [2,56]	120 [4,72]	80 [3,15]	60 [2,36]	-	-	-
-20...+100	85 [3,35]	60 [2,36]	70 [2,76]	85 [3,35]	60 [2,36]	60 [2,36]	95 [3,74]	65 [2,56]	60 [2,36]	-	-	-
-20...+120	75 [2,95]	60 [2,36]	70 [2,76]	80 [3,15]	60 [2,36]	60 [2,36]	90 [3,54]	60 [2,36]	60 [2,36]	-	-	-
0...60	165 [6,50]	115 [4,53]	85 [3,35]	160 [6,29]	110 [4,33]	80 [3,15]	150 [5,91]	100 [3,94]	70 [2,76]	-	-	-
0...80	155 [6,10]	105 [4,13]	75 [2,95]	150 [5,91]	100 [3,94]	70 [2,76]	140 [5,51]	90 [3,54]	60 [2,36]	-	-	-
0...100	135 [5,32]	95 [3,74]	70 [2,76]	130 [5,12]	90 [3,54]	65 [2,56]	120 [4,72]	80 [3,15]	60 [2,36]	-	-	-
0...120	125 [4,92]	85 [3,35]	70 [2,76]	120 [4,72]	80 [3,15]	65 [2,56]	110 [4,33]	70 [2,76]	60 [2,36]	-	-	-
0...150	75 [2,95]	60 [2,36]	70 [2,76]	80 [3,15]	60 [2,36]	60 [2,36]	90 [3,54]	60 [2,36]	60 [2,36]	-	-	-
0...160	115 [4,53]	80 [3,15]	70 [2,76]	110 [4,33]	75 [2,95]	65 [2,56]	100 [3,94]	65 [2,56]	60 [2,36]	-	-	-
0...200	105 [4,13]	80 [3,15]	70 [2,76]	100 [3,94]	75 [2,95]	65 [2,56]	90 [3,54]	65 [2,56]	60 [2,36]	-	-	-
0...250	105 [4,13]	70 [2,76]	70 [2,76]	100 [3,94]	65 [2,56]	65 [2,56]	90 [3,54]	60 [2,36]	60 [2,36]	-	-	-
0...300	95 [3,74]	70 [2,76]	70 [2,76]	90 [3,54]	65 [2,56]	65 [2,56]	80 [3,15]	60 [2,36]	60 [2,36]	-	-	-
0...400	95 [3,74]	70 [2,76]	70 [2,76]	90 [3,54]	65 [2,56]	65 [2,56]	80 [3,15]	60 [2,36]	60 [2,36]	-	-	-
0...500	115 [4,53]	70 [2,76]	70 [2,76]	110 [4,33]	65 [2,56]	65 [2,56]	100 [3,94]	60 [2,36]	60 [2,36]	-	-	-
0...600	95 [3,74]	70 [2,76]	70 [2,76]	90 [3,54]	65 [2,56]	65 [2,56]	80 [3,15]	60 [2,36]	60 [2,36]	-	-	-
0...700	115 [4,53]	80 [3,15]	70 [2,76]	110 [4,33]	75 [2,95]	65 [2,56]	100 [3,94]	65 [2,56]	60 [2,36]	-	-	-

Bauform	1			2 und 3			4 und 5			S		
Tauchschaftdurchmesser in mm [in]	6 [0,24]	8 [0,32]	≥ 10 [0,40]	6 [0,24]	8 [0,32]	≥ 10 [0,40]	6 [0,24]	8 [0,32]	≥ 10 [0,40]	6 [0,24]	8 [0,32]	≥ 10 [0,40]
Anzeigebereich in °C	Mindesteinbaulänge in mm [in]											
Fernleitung > 5 ... 10 m [16 ... 33 ft]												
-80...+60	135 [5,32]	95 [3,74]	70 [2,76]	130 [5,12]	90 [3,54]	65 [2,56]	120 [4,72]	80 [3,15]	60 [2,36]	-	-	-
-60...+40	155 [6,10]	105 [4,13]	75 [2,95]	150 [5,91]	100 [3,94]	70 [2,76]	140 [5,51]	90 [3,54]	60 [2,36]	-	-	-
-40...+60	155 [6,10]	105 [4,13]	75 [2,95]	150 [5,91]	100 [3,94]	70 [2,76]	140 [5,51]	90 [3,54]	60 [2,36]	-	-	-
-30...+50	165 [6,50]	115 [4,53]	85 [3,35]	160 [6,29]	110 [4,33]	80 [3,15]	150 [5,91]	100 [3,94]	70 [2,76]	-	-	-
-30...+70	120 [4,72]	70 [2,76]	70 [2,76]	120 [4,72]	65 [2,56]	60 [2,36]	130 [5,12]	80 [3,15]	60 [2,36]	-	-	-
-20...+40	140 [5,51]	80 [3,15]	70 [2,76]	145 [5,71]	85 [3,35]	60 [2,36]	155 [6,10]	95 [3,74]	65 [2,56]	-	-	-
-20...+60	175 [6,89]	115 [4,53]	85 [3,35]	170 [6,69]	110 [4,33]	80 [3,15]	160 [6,29]	100 [3,94]	70 [2,76]	-	-	-
-20...+80	155 [6,10]	105 [4,13]	75 [2,95]	150 [5,91]	100 [3,94]	70 [2,76]	140 [5,51]	90 [3,54]	60 [2,36]	-	-	-
-20...+100	105 [4,13]	70 [2,76]	70 [2,76]	105 [4,13]	60 [2,36]	60 [2,36]	115 [4,53]	75 [2,95]	60 [2,36]	-	-	-
-20...+120	95 [3,74]	70 [2,76]	70 [2,76]	100 [3,94]	60 [2,36]	60 [2,36]	110 [4,33]	70 [2,76]	60 [2,36]	-	-	-
0...60	185 [7,28]	125 [4,92]	95 [3,74]	180 [7,08]	120 [4,72]	90 [3,54]	170 [6,69]	110 [4,33]	80 [3,15]	-	-	-
0...80	175 [6,89]	115 [4,53]	85 [3,35]	170 [6,69]	110 [4,33]	80 [3,15]	160 [6,29]	100 [3,94]	70 [2,76]	-	-	-
0...100	155 [6,10]	105 [4,13]	85 [3,35]	150 [5,91]	100 [3,94]	80 [3,15]	140 [5,51]	90 [3,54]	70 [2,76]	-	-	-
0...120	145 [5,71]	105 [4,13]	75 [2,95]	140 [5,51]	100 [3,94]	70 [2,76]	130 [5,12]	90 [3,54]	60 [2,36]	-	-	-
0...150	95 [3,74]	70 [2,76]	70 [2,76]	100 [3,94]	60 [2,36]	60 [2,36]	110 [4,33]	70 [2,76]	60 [2,36]	-	-	-
0...160	135 [5,32]	95 [3,74]	70 [2,76]	130 [5,12]	90 [3,54]	65 [2,56]	120 [4,72]	80 [3,15]	60 [2,36]	-	-	-
0...200	125 [4,92]	85 [3,35]	70 [2,76]	120 [4,72]	80 [3,15]	65 [2,56]	110 [4,33]	70 [2,76]	60 [2,36]	-	-	-
0...250	125 [4,92]	85 [3,35]	70 [2,76]	120 [4,72]	80 [3,15]	65 [2,56]	110 [4,33]	70 [2,76]	60 [2,36]	-	-	-
0...300	115 [4,53]	80 [3,15]	70 [2,76]	110 [4,33]	75 [2,95]	65 [2,56]	100 [3,94]	65 [2,56]	60 [2,36]	-	-	-
0...400	115 [4,53]	80 [3,15]	70 [2,76]	110 [4,33]	75 [2,95]	65 [2,56]	100 [3,94]	65 [2,56]	60 [2,36]	-	-	-
0...500	135 [5,32]	95 [3,74]	70 [2,76]	130 [5,12]	90 [3,54]	65 [2,56]	120 [4,72]	80 [3,15]	60 [2,36]	-	-	-
0...600	115 [4,53]	80 [3,15]	70 [2,76]	110 [4,33]	75 [2,95]	65 [2,56]	100 [3,94]	65 [2,56]	60 [2,36]	-	-	-
0...700	145 [5,71]	95 [3,74]	70 [2,76]	140 [5,51]	90 [3,54]	65 [2,56]	130 [5,12]	80 [3,15]	60 [2,36]	-	-	-

Bauform	1			2 und 3			4 und 5			S		
Tauchschaftdurchmesser in mm [in]	6 [0,24]	8 [0,32]	≥ 10 [0,40]	6 [0,24]	8 [0,32]	≥ 10 [0,40]	6 [0,24]	8 [0,32]	≥ 10 [0,40]	6 [0,24]	8 [0,32]	≥ 10 [0,40]
Anzeigebereich in °C	Mindesteinbaulänge in mm [in]											
Fernleitung > 10 ... 15 m [33 ... 49 ft]												
-80...+60	155 [6,10]	105 [4,13]	85 [3,35]	150 [5,91]	100 [3,94]	80 [3,15]	140 [5,51]	90 [3,54]	70 [2,76]	-	-	-
-60...+40	175 [6,89]	115 [4,53]	85 [3,35]	170 [6,69]	110 [4,33]	80 [3,15]	160 [6,29]	100 [3,94]	70 [2,76]	-	-	-
-40...+60	175 [6,89]	115 [4,53]	85 [3,35]	170 [6,69]	110 [4,33]	80 [3,15]	160 [6,29]	100 [3,94]	70 [2,76]	-	-	-
-30...+50	185 [7,28]	125 [4,92]	95 [3,74]	180 [7,08]	120 [4,72]	90 [3,54]	170 [6,69]	110 [4,33]	80 [3,15]	-	-	-
-30...+70	130 [5,12]	75 [2,95]	60 [2,36]	130 [5,12]	80 [3,15]	60 [2,36]	145 [5,71]	90 [3,54]	65 [2,56]	-	-	-
-20...+40	160 [6,29]	95 [3,74]	70 [2,76]	165 [6,50]	95 [3,74]	60 [2,36]	175 [6,89]	105 [4,13]	75 [2,95]	-	-	-
-20...+60	185 [7,28]	125 [4,92]	95 [3,74]	180 [7,08]	120 [4,72]	90 [3,54]	170 [6,69]	110 [4,33]	80 [3,15]	-	-	-
-20...+80	175 [6,89]	115 [4,53]	85 [3,35]	170 [6,69]	110 [4,33]	80 [3,15]	160 [6,29]	100 [3,94]	70 [2,76]	-	-	-
-20...+100	120 [4,72]	75 [2,95]	70 [2,76]	125 [4,92]	80 [3,15]	60 [2,36]	135 [5,32]	90 [3,54]	60 [2,36]	-	-	-
-20...+120	120 [4,72]	70 [2,76]	70 [2,76]	120 [4,72]	80 [3,15]	60 [2,36]	135 [5,32]	90 [3,54]	60 [2,36]	-	-	-
0...60	205 [8,07]	135 [5,32]	95 [3,74]	200 [7,87]	130 [5,12]	90 [3,54]	190 [7,48]	120 [4,72]	80 [3,15]	-	-	-
0...80	195 [7,68]	125 [4,92]	95 [3,74]	190 [7,48]	120 [4,72]	90 [3,54]	180 [7,08]	110 [4,33]	80 [3,15]	-	-	-
0...100	175 [6,89]	115 [4,53]	85 [3,35]	170 [6,69]	110 [4,33]	80 [3,15]	160 [6,29]	100 [3,94]	70 [2,76]	-	-	-
0...120	165 [6,50]	115 [4,53]	85 [3,35]	160 [6,29]	110 [4,33]	80 [3,15]	150 [5,91]	100 [3,94]	70 [2,76]	-	-	-
0...150	120 [4,72]	70 [2,76]	70 [2,76]	120 [4,72]	80 [3,15]	60 [2,36]	135 [5,32]	90 [3,54]	60 [2,36]	-	-	-
0...160	155 [6,10]	105 [4,13]	85 [3,35]	150 [5,91]	100 [3,94]	80 [3,15]	140 [5,51]	90 [3,54]	70 [2,76]	-	-	-
0...200	145 [5,71]	105 [4,13]	75 [2,95]	140 [5,51]	100 [3,94]	70 [2,76]	130 [5,12]	90 [3,54]	60 [2,36]	-	-	-
0...250	145 [5,71]	95 [3,74]	75 [2,95]	140 [5,51]	90 [3,54]	70 [2,76]	130 [5,12]	80 [3,15]	60 [2,36]	-	-	-
0...300	135 [5,32]	95 [3,74]	70 [2,76]	130 [5,12]	90 [3,54]	65 [2,56]	120 [4,72]	80 [3,15]	60 [2,36]	-	-	-
0...400	135 [5,32]	95 [3,74]	70 [2,76]	130 [5,12]	90 [3,54]	65 [2,56]	120 [4,72]	80 [3,15]	60 [2,36]	-	-	-
0...500	135 [5,32]	95 [3,74]	70 [2,76]	130 [5,12]	90 [3,54]	65 [2,56]	120 [4,72]	80 [3,15]	60 [2,36]	-	-	-
0...600	135 [5,32]	95 [3,74]	70 [2,76]	130 [5,12]	90 [3,54]	65 [2,56]	120 [4,72]	80 [3,15]	60 [2,36]	-	-	-
0...700	175 [6,89]	105 [4,13]	75 [2,95]	170 [6,69]	100 [3,94]	70 [2,76]	160 [6,29]	90 [3,54]	60 [2,36]	-	-	-

Bauform	1			2 und 3			4 und 5			S		
Tauchschaftdurchmesser in mm [in]	6 [0,24]	8 [0,32]	≥ 10 [0,40]	6 [0,24]	8 [0,32]	≥ 10 [0,40]	6 [0,24]	8 [0,32]	≥ 10 [0,40]	6 [0,24]	8 [0,32]	≥ 10 [0,40]
Anzeigebereich in °F	Mindesteinbaulänge in mm [in]											
Anschlusslage rückseitig und Anschlusslage unten												
0 ... 200	105 [4,13]	70 [2,76]	60 [2,36]	80 [3,15]	60 [2,36]	60 [2,36]	95 [3,74]	60 [2,36]	60 [2,36]	95 [3,74]	75 [2,95]	75 [2,95]
0 ... 250	100 [3,94]	65 [2,56]	60 [2,36]	75 [2,95]	60 [2,36]	60 [2,36]	90 [3,54]	60 [2,36]	60 [2,36]	90 [3,54]	75 [2,95]	75 [2,95]
0 ... 500	60 [2,36]	60 [2,36]	60 [2,36]	60 [2,36]	60 [2,36]	60 [2,36]	65 [2,56]	60 [2,36]	60 [2,36]	75 [2,95]	75 [2,95]	75 [2,95]
Anschlusslage rückseitig, dreh- und schwenkbar												
0...200	90 [3,54]	60 [2,36]	60 [2,36]	90 [3,54]	60 [2,36]	60 [2,36]	95 [3,74]	60 [2,36]	60 [2,36]	105 [4,13]	70 [2,76]	60 [2,36]
0...250	85 [3,35]	60 [2,36]	60 [2,36]	85 [3,35]	60 [2,36]	60 [2,36]	90 [3,54]	60 [2,36]	60 [2,36]	100 [3,94]	65 [2,56]	60 [2,36]
0...500	60 [2,36]	60 [2,36]	60 [2,36]	60 [2,36]	60 [2,36]	60 [2,36]	65 [2,56]	60 [2,36]	60 [2,36]	75 [2,95]	60 [2,36]	60 [2,36]
Fernleitung ≤ 5 m [16 ft]												
0...200	90 [3,54]	60 [2,36]	70 [2,76]	95 [3,74]	60 [2,36]	60 [2,36]	105 [4,13]	70 [2,76]	60 [2,36]	-	-	-
0...250	80 [3,15]	60 [2,36]	70 [2,76]	80 [3,15]	60 [2,36]	60 [2,36]	90 [3,54]	60 [2,36]	60 [2,36]	-	-	-
0...500	60 [2,36]	70 [2,76]	70 [2,76]	60 [2,36]	60 [2,36]	60 [2,36]	75 [2,95]	60 [2,36]	60 [2,36]	-	-	-
Fernleitung > 5 ... 10 m [16 ... 33 ft]												
0...200	125 [4,92]	70 [2,76]	70 [2,76]	125 [4,92]	80 [3,15]	60 [2,36]	140 [5,51]	90 [3,54]	60 [2,36]	-	-	-
0...250	95 [3,74]	60 [2,36]	60 [2,36]	100 [3,94]	60 [2,36]	60 [2,36]	110 [4,33]	70 [2,76]	60 [2,36]	-	-	-
0...500	80 [3,15]	70 [2,76]	70 [2,76]	80 [3,15]	60 [2,36]	60 [2,36]	95 [3,74]	60 [2,36]	60 [2,36]	-	-	-
Fernleitung > 10 ... 15 m [33 ... 49 ft]												
0...200	130 [5,12]	75 [2,95]	70 [2,76]	135 [5,32]	80 [3,15]	60 [2,36]	145 [5,71]	90 [3,54]	65 [2,56]	-	-	-
0...250	120 [4,72]	70 [2,76]	70 [2,76]	120 [4,72]	80 [3,15]	60 [2,36]	135 [5,32]	90 [3,54]	60 [2,36]	-	-	-
0...500	100 [3,94]	70 [2,76]	70 [2,76]	100 [3,94]	60 [2,36]	60 [2,36]	115 [4,53]	75 [2,95]	60 [2,36]	-	-	-

Prozessanschluss	
Gewindegröße	<ul style="list-style-type: none"> ■ Glatt, ohne Gewinde ■ G ½ B ■ ½ NPT ■ G ½ innen ■ ½ NPT innen ■ M20 x 1,5 ■ M24 x 1,5 innen <p>→ Weitere Gewinde auf Anfrage</p>
Werkstoff (nicht-messstoffberührt)	CrNi-Stahl 316
Tauchschaft	
Durchmesser	<ul style="list-style-type: none"> ■ 6 mm [0,24 in] ■ 8 mm [0,31 in] ■ 10 mm [0,39 in] ■ 12 mm [0,47 in] <p>→ Weitere Durchmesser auf Anfrage</p>
Werkstoff (messstoffberührt)	CrNi-Stahl 316
Schutzrohr	<p>Grundsätzlich ist der Betrieb eines mechanischen Thermometers ohne Schutzrohr bei geringen prozesseitigen Belastungen (geringer Druck, niedrige Viskosität und geringe Fließgeschwindigkeiten) möglich.</p> <p>Um jedoch einen Austausch des Thermometers während des laufenden Betriebs zu ermöglichen (z. B. Gerätetausch oder Kalibrierung) und einen erhöhten Schutz des Messgeräts sowie der Anlage und Umwelt sicherzustellen, wird zur Verwendung eines Schutzrohrs aus dem umfangreichen WIKA-Portfolio geraten.</p> <p>→ Weitere Informationen zur Berechnung des Schutzrohres siehe technische information IN 00.15.</p>

Ausgangssignal	
Kontaktart	<ul style="list-style-type: none"> ■ Magnetspringkontakt, Typ 821, siehe Seite 11 ■ Induktivkontakt, Typ 831, siehe Seite 12 ■ Elektronikkontakt, Typ 830 E, siehe Seite 13
Schalttechnologie	
Magnetspringkontakt, Typ 821	<ul style="list-style-type: none"> ■ Kein Steuergerät und keine Hilfsenergie notwendig ■ Direktes Schalten bis 250 V, 1 A
Induktivkontakt, Typ 831	<ul style="list-style-type: none"> ■ Einsetzbar in explosionsgefährdeten Bereichen mit entsprechendem Steuergerät (Typ 904.xx) ■ Hohe Lebensdauer durch berührungslose Kontaktgabe ■ Geringe Rückwirkung auf die Anzeigegenauigkeit ■ Sichere Kontaktgabe bei hoher Schalzhäufigkeit ■ Unempfindlich gegen Korrosion ■ Auch in Sicherheitsausführung verfügbar
Elektronikkontakt, Typ 830 E	<ul style="list-style-type: none"> ■ Zum direkten Ansteuern einer speicherprogrammierbaren Steuerung (SPS) ■ Hohe Lebensdauer durch berührungslose Kontaktgabe ■ Geringe Rückwirkung auf die Anzeigegenauigkeit ■ Sichere Kontaktgabe bei hoher Schalzhäufigkeit ■ Unempfindlich gegen Korrosion
Kontakteinstellung	<ul style="list-style-type: none"> ■ Kontakt einstellbar, Verstell Schlüssel befestigt an Kabeldose ■ Kontakte fest eingestellt, ohne Verstell schloss ■ Kontaktverstell schloss plombiert (manipuliersicher) ■ Kontaktverstell schlüssel fest

Ausgangssignal: Magnetspringkontakt, Typ 821	
Schaltungsart	Magnetspringkontakt
Anzahl Schaltkontakte	Max. 3 Schaltkontakte
Schaltfunktion	Getrennte Stromkreise bei ≥ 2 Schaltern Die Schaltfunktion jedes Schalters wird durch die Kennzahl 1, 2 oder 3 angegeben
Typ 821.1	Schließer (bei Zeigerbewegung im Uhrzeigersinn)
Typ 821.2	Öffner (bei Zeigerbewegung im Uhrzeigersinn)
Typ 821.3	Wechsler (öffnen und schließen gleichzeitig am Sollwert)
Schaltpunkteinstellung	Sollwertzeiger der Kontaktthermometer im gesamten Skalenbereich frei einstellbar
Einstellbereich (empfohlen)	<ul style="list-style-type: none"> ■ 25 ... 75 % der Anzeigespanne ■ 0 ... 100 %, auf Anfrage
Schaltpunktabstand	Empfohlener Mindestabstand zwischen 2 Kontakten: 20 % der Anzeigespanne
Schalthyserese	2 ... 5 % (typisch)
Schaltstrom	0,02 ... 0,3 A (Ohmsche Last) Zulässiger Ein- und Ausschaltstrom: $\leq 0,5$ A
Schaltspannung	AC/DC 24 ... 250 V
Nennbetriebsspannung U_{eff}	≤ 250 V
Nennbetriebsstrom	
Einschaltstrom	$\leq 0,5$ A
Ausschaltstrom	$\leq 0,5$ A
Dauerstrom	$\leq 0,3$ A
Schaltleistung	
Ungefüllte Geräte	≤ 30 W, ≤ 50 VA
Gefüllte Geräte	≤ 20 W, ≤ 20 VA
Kontaktwerkstoff	Silber-Nickel, goldbeschichtet

Bei Magnetspringkontakten ist eine Prüfung der Anzeige im Bereich ± 5 % der Messspanne um den eingestellten Grenzwert nicht sinnvoll, da der Magnet Einfluss auf die Anzeigenauigkeit hat.

Empfohlene Kontaktbelastung bei ohmscher und induktiver Belastung

Schaltspannung	Ungefüllte Geräte			Gefüllte Geräte		
	Ohmsche Last		Induktive Last	Ohmsche Last		Induktive Last
	Gleichstrom	Wechselstrom	$\cos \varphi > 0,7$	Gleichstrom	Wechselstrom	$\cos \varphi > 0,7$
DC 220 V / AC 230 V	100 mA	120 mA	65 mA	65 mA	90 mA	40 mA
DC 110 V / AC 110 V	200 mA	240 mA	130 mA	130 mA	180 mA	85 mA
DC 48 V / AC 48 V	300 mA	450 mA	200 mA	190 mA	330 mA	130 mA
DC 24 V / AC 24 V	400 mA	600 mA	250 mA	250 mA	450 mA	150 mA

→ Weitere Informationen zu Schaltkontakten siehe Datenblatt IN 00.48

Ausgangssignal: Induktivkontakt, Typ 831	
Schaltungsart	Induktivkontakt
Anzahl Schaltkontakte	Max. 3 Schaltkontakte
Schaltfunktion	Kontaktausführungen: <ul style="list-style-type: none"> ■ 831-N ■ 831-SN, Sicherheitsausführung ¹⁾ ■ 831-S1N, Sicherheitsausführung ¹⁾, invertiertes Signal Die Schaltfunktion des Schalters wird durch die Kennzahl 1, 2 oder 3 angegeben
Typ 831.1	Schließer (bei Zeigerbewegung im Uhrzeigersinn)
Typ 831.2	Öffner (bei Zeigerbewegung im Uhrzeigersinn)
Typ 831.3	Wechsler (öffnen und schließen gleichzeitig am Sollwert)
Schaltpunkteinstellung	Sollwertzeiger der Kontaktthermometer im gesamten Skalenbereich frei einstellbar
Einstellbereich (empfohlen)	<ul style="list-style-type: none"> ■ 10 ... 90 % des Anzeigebereichs ■ 0 ... 100 %, auf Anfrage
Schaltpunktabstand	Bis zu 2 Kontakte können auf einen identischen Sollwert eingestellt werden. Bei einer Ausführung mit 3 Kontakten ist das nicht möglich. Der linke (1.) oder rechte (3.) Kontakt darf nicht deckungsgleich zu dem Sollwert der anderen 2 Kontakte eingestellt werden. Der erforderliche Versatz beträgt ca. 30°, wahlweise nach rechts oder links.
Schaltstrom	Je nach eingesetztem Trennschaltverstärker/Steuergerät, siehe Datenblatt AC 08.04
Schaltspannung	Je nach eingesetztem Trennschaltverstärker/Steuergerät, siehe Datenblatt AC 08.04
Schaltleistung	Je nach eingesetztem Trennschaltverstärker/Steuergerät, siehe Datenblatt AC 08.04
Zulässige Temperaturbereiche in explosionsgefährdeten Bereichen	
T6	-20 ... +60 °C [-4 ... +140 °F]
T5 ... T1	-20 ... +70 °C [-4 ... +158 °F]
T135 °C	-20 ... +70 °C [-4 ... +158 °F]

1) Nur mit entsprechendem Trennschaltverstärker betreiben (Typ 904.3x), siehe Datenblatt AC 08.04.

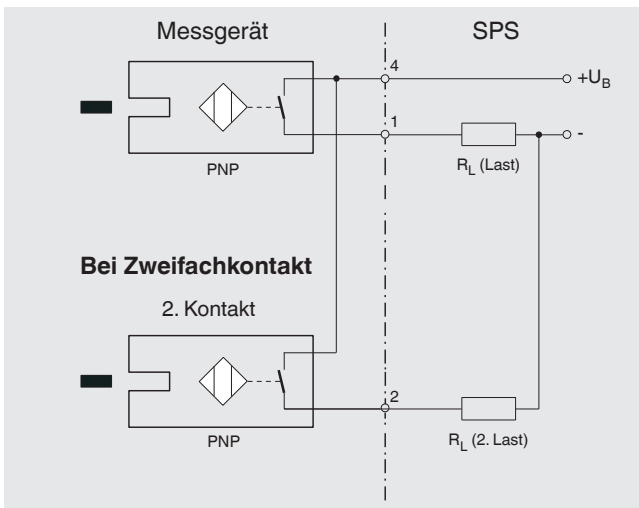
Zugehörige Trennschaltverstärker/Steuergeräte

Typ	Ausführung	Ex-Ausführung
904.28 KFU8 - SR2 - Ex1.W	1 Kontakt	Ja
904.29 KFU8 - SR2 - Ex2.W	2 Kontakte	Ja
904.30 KHA6 - SH - Ex1	1 Kontakt	Ja - Sicherheitsausführung
904.33 KFD2 - SH - Ex1	1 Kontakt	Ja - Sicherheitsausführung
904.25 MSR 010-I	1 Kontakt	Nein
904.26 MSR 020-I	2 Kontakte	Nein
904.27 MSR 011-I	Zweipunktregelung	Nein

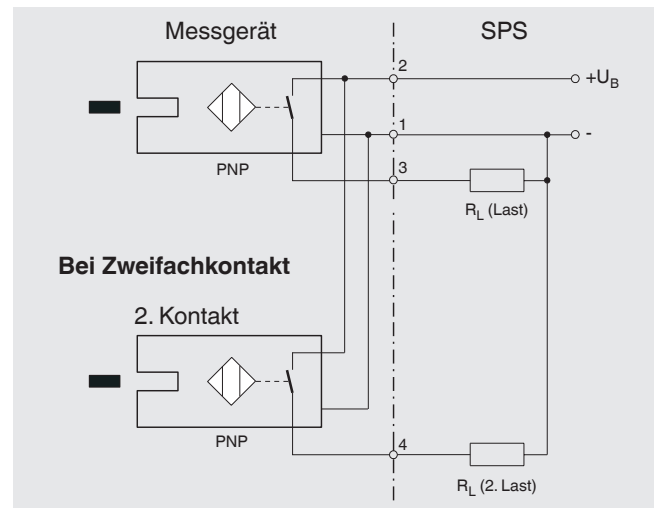
→ Weitere Informationen zu Schaltkontakten siehe technische information IN 00.48

Ausgangssignal: Elektronikkontakt, Typ 830 E	
Schaltungsart	Elektronikkontakt (PNP-Transistor)
Anzahl Schaltkontakte	Max. 3 Schaltkontakte
Schaltfunktion	Kontaktausführungen: <ul style="list-style-type: none"> ■ 2-Leiter-Ausführung ■ 3-Leiter-Ausführung Die Schaltfunktion des Schalters wird durch die Kennzahl 1, 2 oder 3 angegeben
Typ 830 E.1	Schließer (bei Zeigerbewegung im Uhrzeigersinn)
Typ 830 E.2	Öffner (bei Zeigerbewegung im Uhrzeigersinn)
Einstellbereich (empfohlen)	<ul style="list-style-type: none"> ■ 10 ... 90 % des Anzeigebereichs ■ 0 ... 100 %, auf Anfrage
Schaltpunktabstand	Bis zu 2 Kontakte können auf einen identischen Sollwert eingestellt werden. Bei einer Ausführung mit 3 Kontakten ist das nicht möglich. Der linke (1. Kontakt) oder rechte (3. Kontakt) Kontakt darf nicht deckungsgleich zu dem Sollwert der anderen beiden Kontakte eingestellt werden. Der erforderliche Versatz beträgt ca. 30° wahlweise nach rechts oder links.
Schaltstrom	≤ 100 mA
Schaltspannung	DC 10 ... 30 V
Ausgangsart	PNP-Transistor
Restwelligkeit	Max. 10 %
Leerlaufstrom	≤ 10 mA
Reststrom	≤ 100 µA
Spannungsabfall (bei I _{max.})	≤ 0,7 V
Verpolungsschutz	Bedingt U _B (der geschaltete Ausgang 3 oder 4 darf niemals direkt auf Minus gelegt werden)
Induktionsschutz	1 kV, 0,1 ms, 1 kΩ
Oszillatorfrequenz	Ca. 1.000 kHz
EMV	Nach EN 60947-5-2

2-Leiter-Ausführung



3-Leiter-Ausführung



→ Weitere Informationen zu Schaltkontakten siehe technische information IN 00.48

Elektrischer Anschluss	
Anschlussart	<ul style="list-style-type: none"> ■ Kabeldose, schwarz ■ Nach VDE 0110 Isolationsgruppe C/250 V ■ Kabelverschraubung M20 x 1,5 ■ Stecker ■ Rückseitiger Kabelabgang <p>→ Weitere Anschlussarten auf Anfrage</p>
Aderquerschnitt	6 Schraubklemmen + PE für Leiterquerschnitt 2,5 mm ²
Kabeldurchmesser	7 ... 13 mm [0,28 ... 0,51 in], siehe Abmessungen Seite 28
Anschlussbelegung	Die Belegung der Anschlüsse sind auf dem Typenschild am Gerät angegeben und die Anschlussklemmen sowie die Erdungsklemme sind entsprechend gekennzeichnet.
Werkstoff	PA 6 (Polyamid)

Einsatzbedingungen	
Umgebungstemperaturbereich (am Gehäuse) ¹⁾	-20 ... +60 °C [-4 ... +140 °F]
Lagertemperaturbereich ¹⁾	
Ohne Flüssigkeitsdämpfung	-50 ... +70 °C [-58 ... +158 °F]
Mit Flüssigkeitsdämpfung	-40 ... +70 °C [-40 ... +158 °F]
Max. Betriebsdruck am Tauchschaft	Max. 25 bar [362,59 psi], statisch
Schutzart (IP-Code) nach IEC/EN 60529	<ul style="list-style-type: none"> ■ IP65 ■ IP66








1) Die zulässigen Temperaturen für explosionsgefährdete Bereiche sind abhängig von Kontaktyp 831, siehe zulässige Temperaturbereiche Seite 12. Diese dürfen auch am Gerät nicht überschritten werden, Details siehe Betriebsanleitung. Gegebenenfalls sind Maßnahmen zur Kühlung (wie z. B. Messstellenisolierung etc.) zu ergreifen.

Zulassungen

Im Lieferumfang enthaltene Zulassungen

Logo	Beschreibung	Land
	EU-Konformitätserklärung	Europäische Union
	EMV-Richtlinie EN 61326 Emission (Gruppe 1, Klasse B) und Störfestigkeit (Industriebereiche)	
	Niederspannungsrichtlinie	
	RoHS-Richtlinie	

Optionale Zulassungen

Logo	Beschreibung	Land
	EU-Konformitätserklärung	Europäische Union
	ATEX-Richtlinie ¹⁾ Explosionsgefährdete Bereiche - Ex ia Zone 1 Gas II 2G Ex ia IIC T6/T5/T4 Gb Zone 21 Staub II 2D Ex ia IIIB T85°C/T95°C/T100°C/T135°C Db	
	IECEX ¹⁾	International
	Explosionsgefährdete Bereiche - Ex ia Zone 1 Gas Ex ia IIC T6/T5/T4 Gb Zone 21 Staub Ex ia IIIB T85°C/T95°C/T100°C/T135°C Db	
	EAC	Eurasische Wirtschaftsge- meinschaft
	EMV-Richtlinie	
	Niederspannungsrichtlinie	
	Explosionsgefährdete Bereiche ¹⁾	
	KazInMetr Metrologie, Messtechnik	Kasachstan
-	MTSCHS Genehmigung zur Inbetriebnahme	Kasachstan
	Ex Ukraine Explosionsgefährdete Bereiche	Ukraine
	Uzstandard Metrologie, Messtechnik	Usbekistan
	NEPSI Explosionsgefährdete Bereiche	China
-	CRN Sicherheit (z. B. elektr. Sicherheit, Überdruck, ...)	Kanada

1) Nur für Geräte mit Induktivkontakt Typ 831

Zertifikate/Zeugnisse

Zertifikate/Zeugnisse	
Zeugnisse	<ul style="list-style-type: none"> ■ 2.2-Werkszeugnis ■ 3.1-Abnahmeprüfzeugnis
Kalibrierung	DAkS-Kalibrierzertifikat

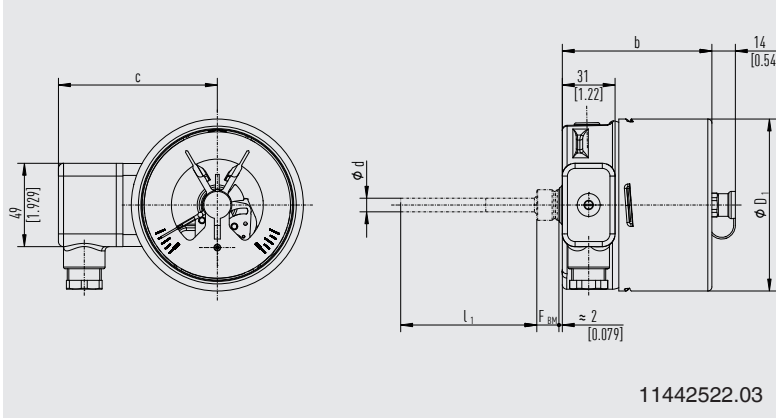
→ Zulassungen und Zertifikate siehe Webseite

Anschlusslagen

Legende

G	Anschlussgewinde	C	Abstandsmaß Kabeldose zur Gehäusemitte
i	Gewindelänge (inkl. Bund)	l_1	Einbaulänge
$\varnothing D_1$	Gehäusedurchmesser	l_2	Aktive Länge
$\varnothing d$	Tauchschaftdurchmesser	l_F	Fernleitungslänge
$\varnothing d_1$	Lochkreisdurchmesser	F_{XX}	Abstandsmaß bis Tauchschaft
$\varnothing d_2$	Befestigungsranddurchmesser	SW	Schlüsselweite
$\varnothing d_4$	Dichtbunddurchmesser		
b	Gerätegesamthöhe		

Anschlusslage rückseitig

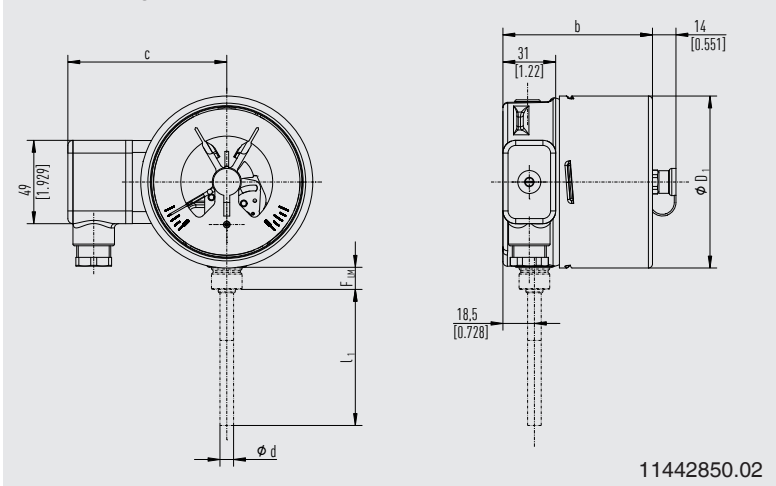


Nenngröße	$\varnothing D_1$ in mm [in]	1-fach/2-fach Kontakt	3-fach Kontakt	C
100	101 [3,98]	88 [3,47]	-	94 [3,70]
160	161 [6,34]	90 [3,54]	99 [3,9]	124 [4,88]

Design	$F_{BM}^{1)}$	Anschluss
S	30 [1,18]	G ½ - Außen
1	13 [0,51]	Ø 18
2	35 [1,38]	G ½ - Außen
3	15 [0,59]	G ½ - Innen
4	53 [2,09]	G ½ - Außen
5	50 [1,97]	G ½ - Außen
7	53 [2,09]	G ½ - Außen

1) Zusätzlich 40 mm [1,57 in] für Geräte mit: Anzeigebereichsende: ≥ 300 °C [572 °F], Anzeigebereichsanfang: -200 °C [-328 °F]

Anschlusslage unten

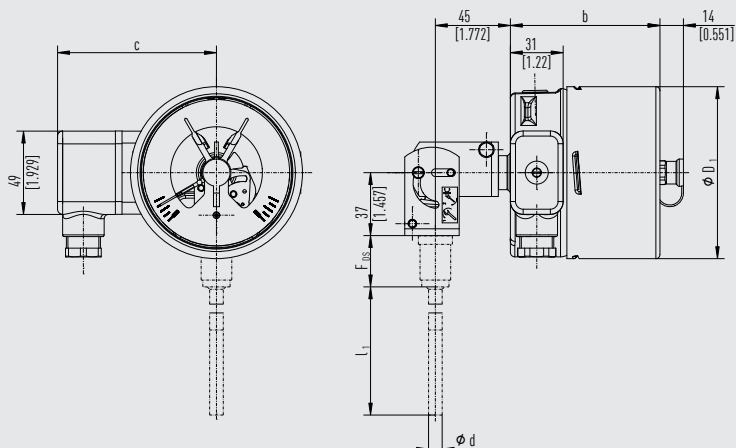


Nenngröße	$\varnothing D_1$ in mm [in]	1-fach/2-fach Kontakt	3-fach Kontakt	C
100	101 [3,98]	88 [3,47]	-	94 [3,70]
160	161 [6,34]	90 [3,54]	99 [3,9]	124 [4,88]

Design	$F_{LM}^{1)}$	Anschluss
S	30 [1,18]	G ½ - Außen
1	13 [0,51]	Ø 18
2	35 [1,38]	G ½ - Außen
3	15 [0,59]	G ½ - Innen
4	53 [2,09]	G ½ - Außen
5	50 [1,97]	G ½ - Außen
7	53 [2,09]	G ½ - Außen

1) Zusätzlich 40 mm [1,57 inch] für Geräte mit: Anzeigebereichsende: ≥ 300 °C [572 °F], Anzeigebereichsanfang: -200 °C [-328 °F]

Anschlusslage rückseitig, dreh- und schwenkbar



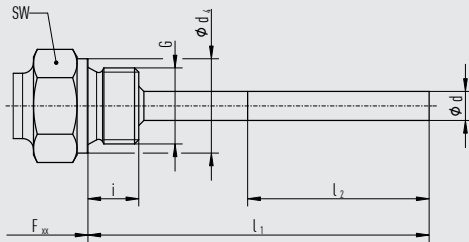
11443171.02

Design	F _{DS}	Anschluss
S	17,5 [0,69]	G ½ - Außen
1	28 [1,10]	Ø 18
2	38 [1,50]	G ½ - Außen
3	30 [1,18]	G ½ - Innen
4	68 [2,68]	G ½ - Außen
4.1	68 [2,68]	G ½ - Außen
5	55 [2,68]	G ½ - Außen
7	68 [2,68]	G ½ - Außen

Nenngröße	Ø D ₁ in mm [in]	1-fach/2-fach Kontakt	3-fach Kontakt	C
100	101 [3,98]	88 [3,47]	-	94 [3,70]
160	161 [6,34]	90 [3,54]	99 [3,9]	124 [4,88]

Anschlussbauformen für Anschlusslagen rückseitig, unten und rückseitig dreh- und schwenkbar

Bauform: Standard (Gewindeanschluss, fest)

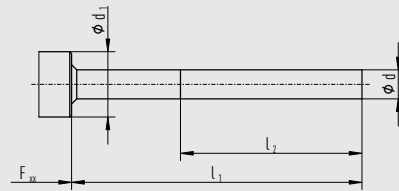


3073050.07

Prozessanschluss	Abmessungen in mm [in]		
G	i	SW	d ₄
G ½ B	14 [0,55]	27 [1,06]	26 [1,02]
G ¾ B	16 [0,63]	32 [1,26]	32 [1,26]
½ NPT	19 [0,75]	22 [0,87]	-
¾ NPT	20 [0,79]	30 [1,18]	-

Standard-Einbaulänge $l_1 = 63, 100, 160, 200, 250$ mm
[2,48, 3,94, 6,3, 7,87, 9,84 in]

Bauform 1, Anschluss glatt (ohne Gewinde)

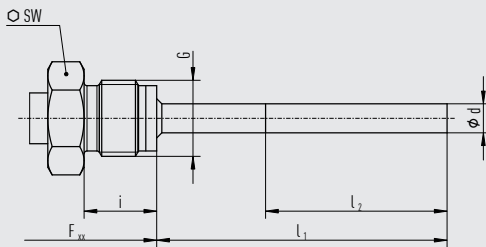


3073050.07

Prozessanschluss	Abmessungen in mm [in]
Ohne Gewinde	Ø d ₁
-	18 [0,7]

Standard-Einbaulänge $l_1 = 100, 140, 200, 240, 290$ mm
[3,94, 5,12, 7,87, 9,45, 11,42 in]
Basis für Bauform 4, Klemmverschraubung

Bauform 2, Anschluss drehbar

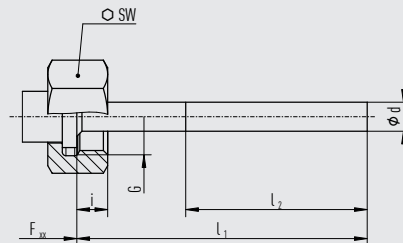


3073050.07

Prozessanschluss	Abmessungen in mm [in]	
G	i	SW
G ½ B	20 [0,79]	27 [1,06]
M18 x 1,5	15 [0,59]	22 [0,89]

Standard-Einbaulänge $l_1 = 80, 140, 180, 230$ mm
[3,15, 5,12, 7,09, 9,06 in]

Bauform 3, Überwurfmutter



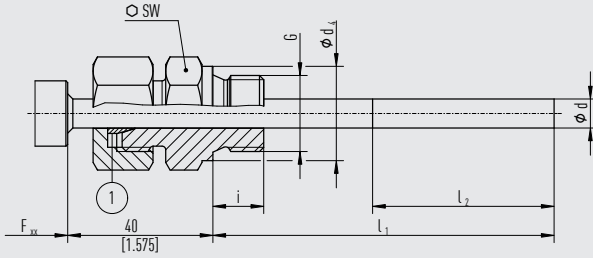
3073050.07

Prozessanschluss	Abmessungen in mm [in]	
G	i	SW
G ½ B	14 [0,55]	27 [1,06]
G ¾ B	16 [0,63]	32 [1,26]
M24 x 1,5	13,5 [0,53]	32 [1,26]

Standard-Einbaulänge $l_1 = 89, 126, 186, 226, 276$ mm
[3,50, 4,96, 7,32, 8,9, 10,87 in]

Bauform 4, Klemmverschraubung verschiebbar auf Tauchschaft

3073050.07



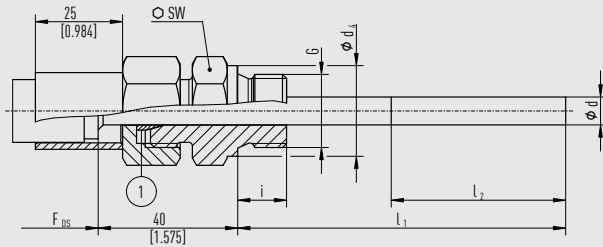
① Dichtring

Prozessanschluss	Abmessungen in mm [in]		
	i	SW	Ø d ₄
G ½ B	14 [0,55]	27 [1,06]	26 [1,02]
G ¾ B	16 [0,63]	32 [1,26]	32 [1,26]
M18 x 1,5	12 [0,47]	24 [0,95]	23 [0,91]
½ NPT	19 [0,75]	22 [0,87]	-
¾ NPT	20 [0,79]	30 [1,18]	-

Einbaulänge l₁ = variabel

Bauform 4.1, Klemmverschraubung mit Stützrohr verschiebbar auf Tauchschaft

3073050.07



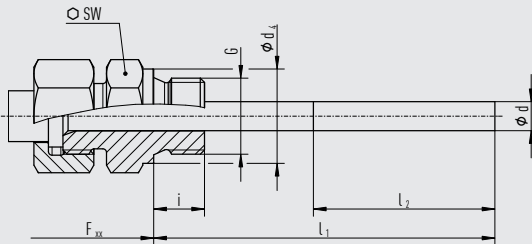
① Dichtring

Prozessanschluss	Abmessungen in mm [in]		
	i	SW	Ø d ₄
G ½ B	14 [0,55]	27 [1,06]	26 [1,02]
G ¾ B	16 [0,63]	32 [1,26]	32 [1,26]
M18 x 1,5	12 [0,47]	24 [0,95]	23 [0,91]
½ NPT	19 [0,75]	22 [0,87]	-
¾ NPT	20 [0,79]	30 [1,18]	-

Einbaulänge l₁ = variabel

Bauform 5, Überwurfmutter und lose Verschraubung

3073050.07

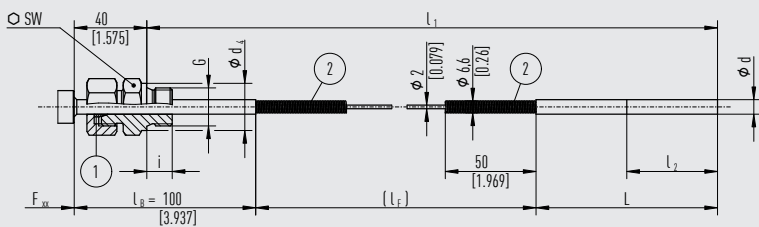


Einbaulänge l₁ = variabel

Prozessanschluss	Abmessungen in mm [in]		
	i	SW	d ₄
G ½ B	14 [0,55]	27 [1,06]	26 [1,02]
G ¾ B	16 [0,63]	32 [1,26]	32 [1,26]
M18 x 1,5	12 [0,47]	24 [0,95]	23 [0,91]
½ NPT	19 [0,75]	22 [0,87]	-
¾ NPT	20 [0,79]	30 [1,18]	-

Bauform 7, Klemmverschraubung am Gehäuse

14042662.02



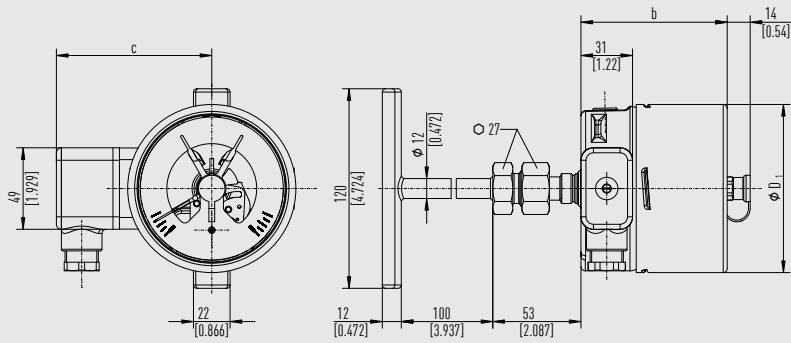
① Dichtring
② Knickschutz

Einbaulänge l₁ = ≥ 400 mm [15,75 in]
 Fühlerlänge L = 200 mm [7,87 in] bei Ø d = 6 mm
 170 mm [6,69 in] bei Ø d = 8 mm
 100 mm [3,94 in] bei Ø d = ≥ 10 mm
 l_B = 100 mm [3,94 in], weitere auf Anfrage

Prozessanschluss	Abmessungen in mm [in]		
	i	SW	d ₄
G ½ B	14 [0,55]	27 [1,06]	26 [1,02]
G ¾ B	16 [0,63]	32 [1,26]	32 [1,26]
M18 x 1,5	12 [0,47]	24 [0,95]	23 [0,91]
½ NPT	19 [0,75]	22 [0,87]	-
¾ NPT	20 [0,79]	30 [1,18]	-

Anschlusslagen rückseitig, unten und rückseitig dreh- und schwenkbar mit Anliegeföhler

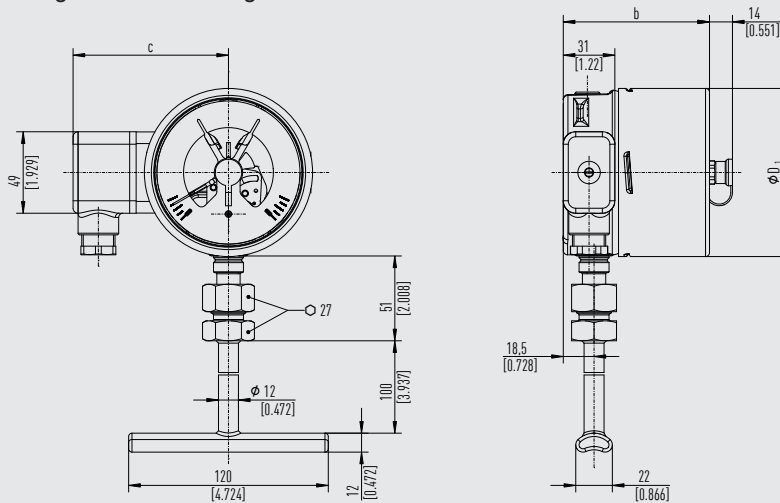
Anschlusslage rückseitig mit Anliegeföhler



11443723.02

Nenngröße	Ø D ₁ in mm [in]	1-fach/2-fach Kontakt	3-fach Kontakt	C
100	101 [3,98]	88 [3,47]	-	94 [3,70]
160	161 [6,34]	90 [3,54]	99 [3,9]	124 [4,88]

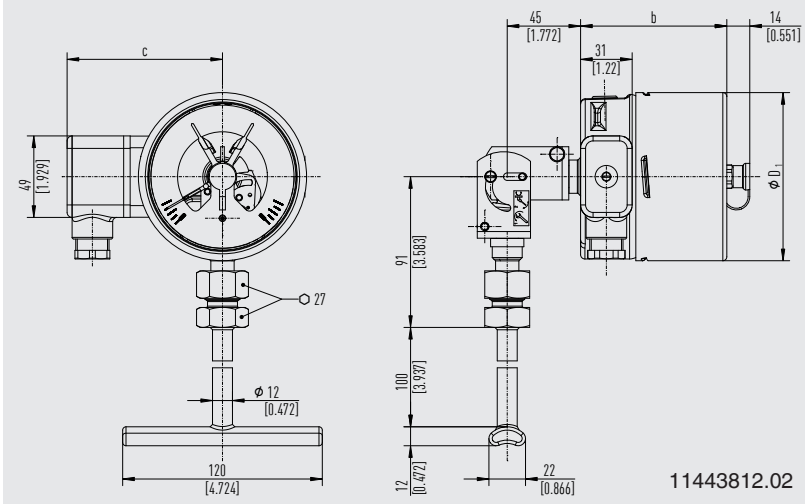
Anschlusslage unten mit Anliegeföhler



11443723.02

Nenngröße	Ø D ₁ in mm [in]	1-fach/2-fach Kontakt	3-fach Kontakt	C
100	101 [3,98]	88 [3,47]	-	94 [3,70]
160	161 [6,34]	90 [3,54]	99 [3,9]	124 [4,88]

Anschlusslage dreh- und schwenkbar mit Anliegeföhler

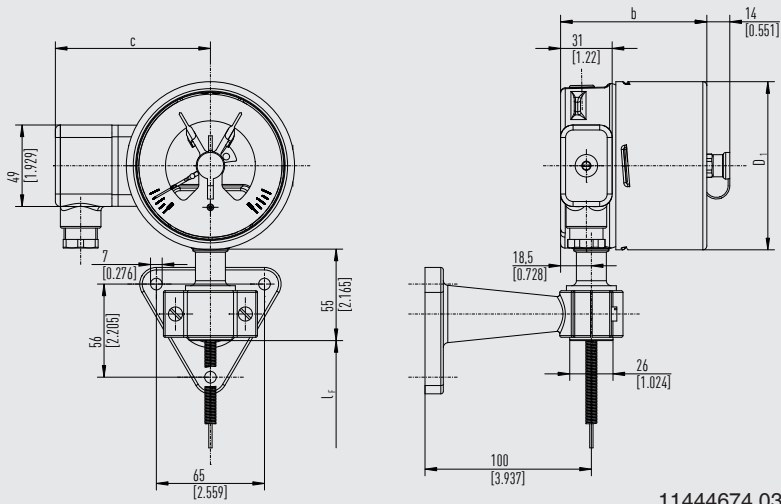


11443812.02

Nenngröße	Ø D ₁ in mm [in]	1-fach/2-fach Kontakt	3-fach Kontakt	C
100	101 [3,98]	88 [3,47]	-	94 [3,70]
160	161 [6,34]	90 [3,54]	99 [3,9]	124 [4,88]

Fernleitungsgeräte mit Gehäuse-Befestigungsarten

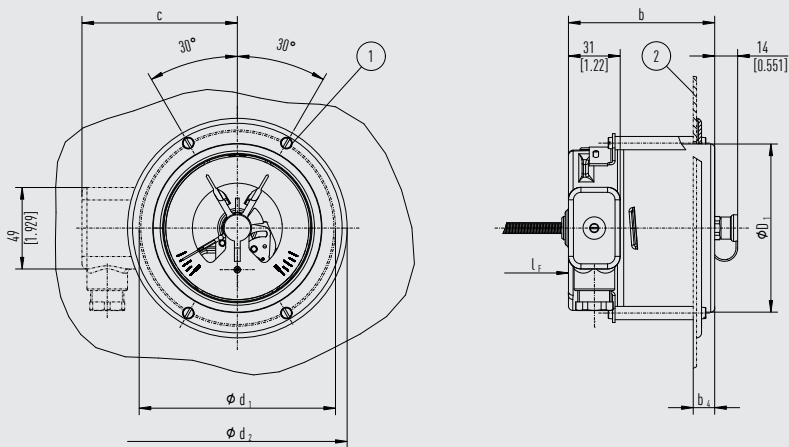
Fernleitungsgerät, Anschlusslage unten mit Messgerätehalter



11444674.03

Nenngröße	Ø D ₁ in mm [in]	1-fach/2-fach Kontakt	3-fach Kontakt	C
100	101 [3,98]	88 [3,47]	-	94 [3,70]
160	161 [6,34]	90 [3,54]	99 [3,9]	124 [4,88]

Fernleitungsgerät, Anschlusslage rückseitig mit Befestigungsrand vorne

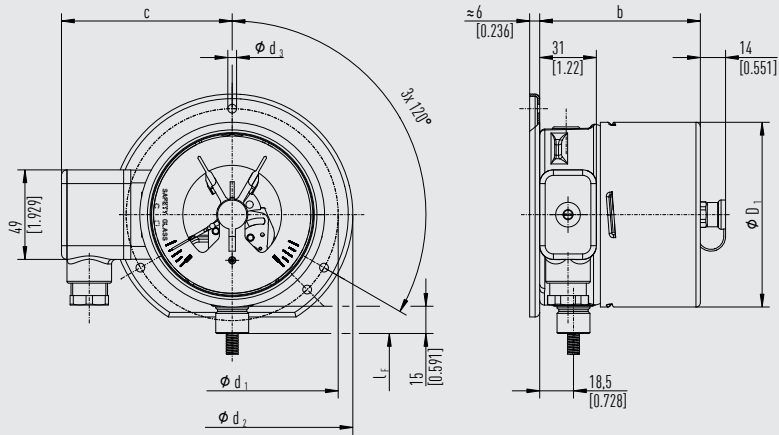


- ① Schraube
- ② Schalttafel

11444274.02

Nenngröße	Ø D ₁ in mm [in]	Ø d ₁ in mm [in]	Ø d ₂ in mm [in]	1-fach/2-fach Kontakt	3-fach Kontakt	b ₄	C	1
100	101 [3,98]	116 [4,57]	132 [5,2]	88 [3,47]	-	13 [0,51]	94 [3,70]	4 x M4
160	161 [6,34]	178 [7,01]	196 [7,72]	90 [3,54]	99 [3,9]	8,5 [0,34]	124 [4,88]	4 x M5

Fernleitungsgerät, Anschlusslage unten mit Befestigungsrand hinten



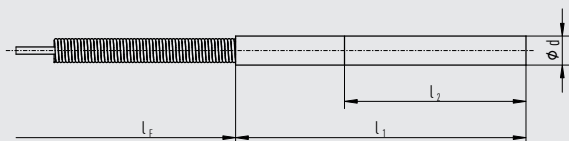
11443872.02

Nenngröße	ϕD_1 in mm [in]	ϕd_1 in mm [in]	ϕd_2 in mm [in]	ϕd_3 in mm [in]	1-fach/2-fach Kontakt	3-fach Kontakt	b_4	C
100	101 [3,98]	116 [4,57]	132 [5,2]	4,8 [0,19]	88 [3,47]	-	13 [0,51]	94 [3,70]
160	161 [6,34]	178 [7,01]	196 [7,72]	6 [0,24]	90 [3,54]	99 [3,9]	8,5 [0,34]	124 [4,88]

Anschlussbauformen für Fernleitungsgeräte

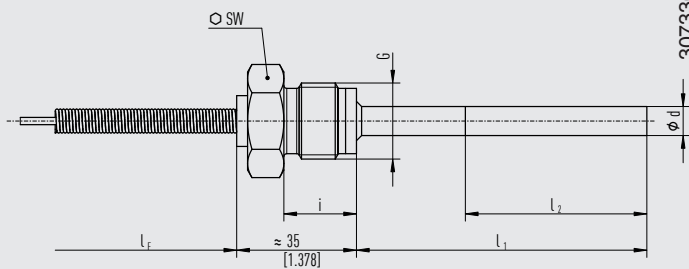
Bauform 1, glatt (ohne Gewinde)

3073300.14



Bauform 2, Anschluss drehbar

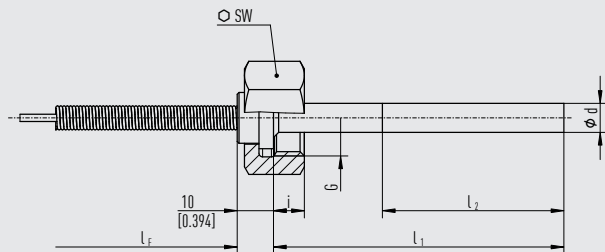
3073300.14



Prozessanschluss		Abmessungen in mm [in]
G	i	SW
G ½ B	20 [0,787]	27 [1,06]
M8 x 1,5	15 [0,59]	22 [0,87]

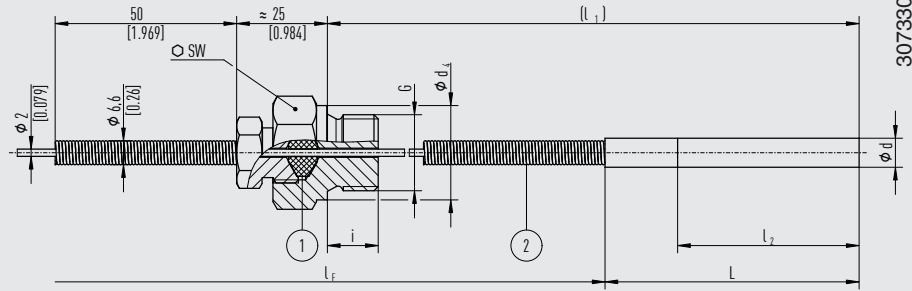
Bauform 3, Überwurfmutter

3073300.14



Prozessanschluss		Abmessungen in mm [in]
G	i	SW
G ½ B	14 [0,55]	27 [1,06]
G ¾ B	16 [0,63]	32 [1,26]
M24 x 1,5	13,5 [0,53]	24 [1,26]

Bauform 6.1, Klemmschraubung verschiebbar auf Fernleitung (Klemmschraubung dichtklemmend)

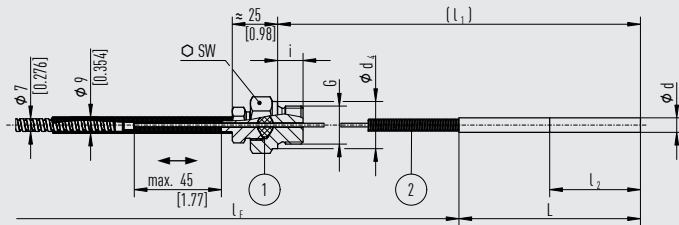


- ① Dichtring
- ② Knickschutzfeder

Prozessanschluss		Abmessungen in mm [in]	
G	i	SW	Ø d ₄
G ½ B	14 [0,55]	27 [1,06]	26 [1,02]
G ¾ B	16 [0,63]	32 [1,26]	32 [1,26]
½ NPT	19 [0,75]	22 [0,87]	-
¾ NPT	20 [0,79]	30 [1,18]	-

Einbaulänge l₁ = Variabel
 Fühlerlänge L = 200 mm [7,87 in] bei Ø d = 6 mm [0,24 in]
 170 mm [6,69 in] bei Ø d = 8 mm [0,32 in]
 100 mm [3,94 in] bei Ø d = ≥ 10 mm [0,39 in]

Bauform 6.2, Klemmschraubung verschiebbar auf Fernleitung mit Spiralschutzschlauch (Klemmschraubung dichtklemmend)



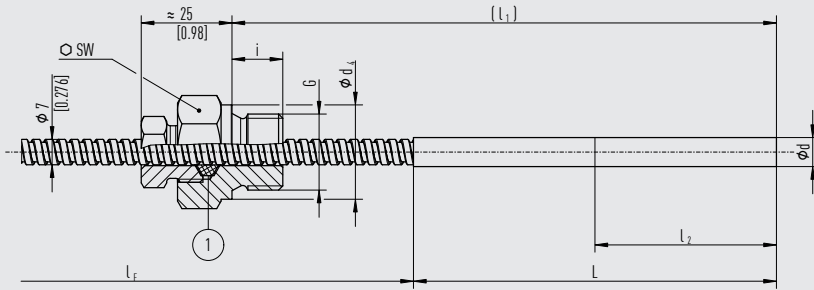
- ① Dichtring
- ② Knickschutzfeder

Prozessanschluss		Abmessungen in mm [in]	
G	i	SW	d ₄
G ½ B	14 [0,55]	27 [1,06]	26 [1,02]
G ¾ B	16 [0,60]	32 [1,26]	32 [1,26]
½ NPT	19 [0,75]	22 [0,87]	-
¾ NPT	20 [0,79]	30 [1,18]	-

Einbaulänge l₁ = ≥ 300 mm [11,81 in] bei Ø d = 6 mm [0,24 in] oder 8 mm [0,32 in]
 ≥ 200 mm [7,87 in] bei Ø d = ≥ 10 mm [0,39 in]
 Fühlerlänge L = 200 mm [7,87 in] bei Ø d = 6 mm [0,24 in]
 170 mm [6,69 in] bei Ø d = 8 mm [0,32 in]
 100 mm [3,94 in] bei Ø d = ≥ 10 mm [0,39 in]

Bauform 6.3, Klemmverschraubung verschiebbar auf Spiralschutzschlauch
(Klemmverschraubung nicht dichtklemmend)

3073300.14



① Klemmring

Prozessanschluss		Abmessungen in mm [in]	
G	i	SW	d ₄
G ½ B	14 [0,55]	27 [1,06]	26 [1,02]
G ¾ B	16 [0,63]	32 [1,26]	32 [1,26]
½ NPT	19 [0,75]	22 [0,87]	-
¾ NPT	20 [0,79]	30 [1,18]	-

Einbaulänge l₁ = Variabel

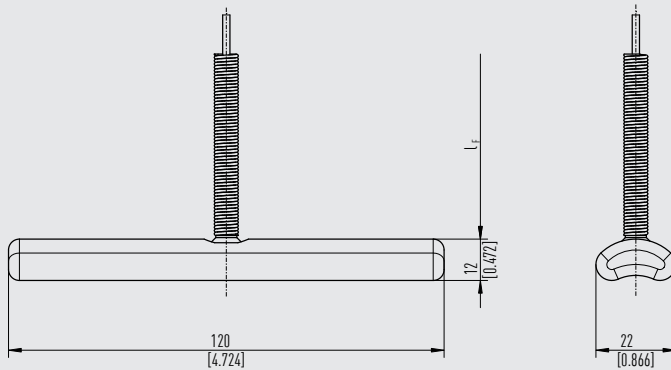
Fühlerlänge L = 200 mm [7,87 in] bei Ø d = 6 mm [0,24 in]
 170 mm [6,69 in] bei Ø d = 8 mm [0,39 in]
 100 mm [3,94 in] bei Ø d = ≥ 10 mm [0,39 in]

Hinweis für Bauformen 6.1, 6.2, 6.3:

- Bei manchen Kombinationen kann die aktive Länge l₂ der Fühlerlänge L entsprechen.
- Sofern eine zusätzliche Klemmverschraubung auf dem Tauchschaft gewünscht wird, vergrößert sich die Fühlerlänge L um mindestens 60 mm [2,36 in].

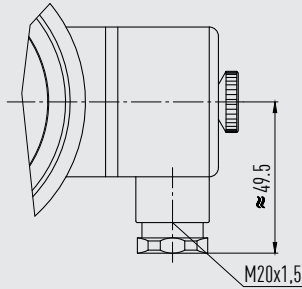
Bauform: Anliegeföhler

3073300.14



Kabeldose

Kontakttypen: 831 und 830 E



Nur Kabel mit Durchmesser
7 ... 13 mm [0,28 ... 0,51 in]
verwenden

14336089.01

Bestellangaben

Typ / Nenngröße / Anzeigebereich / Anschlussbauform / Prozessanschluss /
Kontaktart und Schaltfunktion / Länge l_1 / Fernleitungslänge l_F / Optionen

© 02/2009 WIKA Alexander Wiegand SE & Co. KG, alle Rechte vorbehalten.
Die in diesem Dokument beschriebenen Geräte entsprechen in ihren technischen Daten dem derzeitigen Stand der Technik.
Änderungen und den Austausch von Werkstoffen behalten wir uns vor.