



Electromagnetic flow meter FLC-2300

Additional languages available on www.wika.com

Prior to starting any work, read the operating instructions!
Keep for later use!

Table of contents

1. Introduction	5
1.1 Conventions	5
1.2 General information	5
1.3 Manufacturer's statement	5
1.4 Packing verification	5
1.5 Preliminary notes	6
1.6 Product identification	6
1.7 Applications	7
2. Product description	8
2.1 Operating principle	8
2.1.1 Bidirectional reading	8
2.2 Available versions	8
2.2.1 Flanged sensors	8
2.2.2 Wafer sensors	8
2.2.3 Insertion sensors	8
2.3 Type of installation of the sensor	9
3. Installation	10
3.1 Storage	10
3.2 Moving	10
3.3 General installation requirements	11
3.3.1 Vibrations	11
3.3.2 Magnetic fields	11
3.3.3 Negative pressure	11
3.3.4 Protection from direct sunlight	11
3.3.5 Operating temperatures	12
3.4 Installation conditions	12
3.4.1 Positioning in relation to the plant	12
3.4.2 Important guidelines for correct installation	13
3.5 Installation	15
3.5.1 Important instructions on installation	15
3.5.2 Sensor support	15
3.5.3 Tightening torque	16
3.5.3.1 Flanged sensors	16
3.5.3.2 Wafer sensors	16
3.5.4 Underground installations	17
3.6 How to avoid air pockets in the pipelines	17
3.7 Instructions for diameter reduction	18
4. Potential equalization	19
4.1 General indications	19
4.1.1 SEPARATE version grounding connection	19
4.1.2 COMPACT version grounding connections	19
4.2 Plastic pipes	19
4.3 Metal pipes	19
4.4 Metal pipes with insulating adapters	20
4.5 Metal and plastic pipes	20
4.6 Pipes equipped with cathodic protection	20

5. Electrical connection	21
5.1 Separate version sensor connection	21
5.2 Electrical diagrams	21
5.2.1 Connection with standard single-shielded electrode cable.	21
5.2.2 Connection with standard double-shielded electrode cable	21
5.3 Separation cables	22
5.3.1 Optional single-shielded electrode cables - C022.	22
5.3.2 Optional double-shielded electrode cables - C028	22
6. Pressure tap	22
7. Insertion meters	23
7.1 Introduction	23
7.1.1 Operating principle.	23
7.2 General installation requirements	23
7.2.1 Care of the device	24
7.2.2 Alignment of the electrodes in relation to the flow	24
7.3 FLC-1222	25
7.3.1 Dimensions and main features	25
7.3.2 Calculation of the insertion depth.	26
7.3.3 Installation of the sensor	27
7.3.3.1 Preparation of the pipe.	27
7.3.3.2 Assembly of the flow meter	27
7.3.4 Installation on non-metallic pipes using a saddle bracket	28
7.3.5 Flow meter grounding	28
7.4 FLC-2660	29
7.4.1 Dimensions and main features	29
7.4.2 Calculation of the insertion depth.	30
7.4.3 Installation of the sensor	31
7.4.3.1 Preparation of the pipe.	31
7.4.3.2 Installation of the flow meter.	31
7.4.4 Flow meter grounding	32
7.5 FLC-2770	32
7.5.1 Dimensions and main features	32
7.5.2 Calculation of the insertion depth.	33
7.5.3 Installation of the sensor	34
7.5.3.1 Preparation of the pipe.	34
7.5.3.2 Installation of the flow meter.	34
7.5.4 Flow meter grounding	35
8. Maintenance	35
8.1 Bolt tightening	35
8.2 Grounding check	35
8.3 Cleaning of ebonite coatings.	35
9. Troubleshooting	35
10. Certifications and technical features	36
11. Return goods	36
11.1 Repair request form.	36
12. Product disposal	37

1. Introduction

1.1 Conventions

In order to draw the attention of all personnel working with the equipment supplied by Euromisure, the points of particular importance described in this manual are highlighted with graphic signs that will make them easily identifiable.



CAUTION!

... indicates a risk of electric shock!
All operations marked with this sign must be performed exclusively by qualified technical personnel.



CAUTION / WARNING!

...indicates vital information and points to be observed. Please refer to the related documents.



NOTE

...indicates information and points of particular importance to be observed.

1.2 General information



IMPORTANT WARNING!

It is very important that all personnel working with the equipment have read and understood the instructions and indications provided in this manual, and that they follow them prior to using the equipment itself. The manufacturer assumes no responsibility for the consequences resulting from improper use by the worker.

The suitability of the device for particular purposes shall be the worker's responsibility.

The warranty will be considered void in cases of improper installation and use of devices (systems).

- The manufacturer shall bear no responsibility for any damage caused by improper use, improper installation, or tampering of own products. Installation, connection, commissioning and maintenance must be carried out by personnel who are qualified and authorized for this purpose. The personnel in charge of the installation must make sure that the measurement system is properly connected as per the wiring diagram indicated in this document.
- The manufacturer shall bear no responsibility for any damages or injuries resulting from any misunderstanding of this manual. In order to avoid possible accidents to persons or things caused by incorrect interpretation of the instructions, the user must not proceed with operations and/or interventions on the converter if there are uncertainties or doubts regarding the operation(s) to be performed. We recommend contacting Assistance Service for clarifications in this regard for more precise instructions.

- The manufacturer will be held responsible only if the converter will be used in its original configuration.

For applications that require high working pressures or use of substances that may be dangerous for people, the environment, equipment, or anything else: in case of pipe breakage, Euromisure recommends taking necessary precautions, such as adequate positioning and protection or installation of a guard or safety valve, before installing the **CONVERTER** in the **COMPACT** version.

The device contains live electrical components; therefore, installation, checks and maintenance must be carried out by experienced and qualified personnel who are aware of all necessary precautions to be taken. Before opening any internal part, please disconnect the power supply.

1.3 Manufacturer's statement

- Stresses and loads possibly caused by earthquakes, strong winds, fire damage, vibrations and natural disasters were not taken into account in the phase of machine designing.
- Do not install the machine in such a way that it acts as a focus for pressure on the pipes. External loads were not taken into account in the device configuration.
- While the device is working, the pressure, supply voltage and/or temperature values indicated on the label or in this Operating Manual must not be exceeded.

1.4 Packing verification

At the moment of purchase and/or upon receipt of the product, the buyer is strongly advised to check the quality of the packaging, which must be intact, without visible dents, and completely and correctly closed.

When opening the packaging, also check that the product complies with the information on the packing list in terms of completeness of components/accessories.



NOTE

All Euromisure software are available on the USB stick that accompanies the product. The software can also be downloaded from the website www.wika.com by accessing the Download Area. A free registration will be required, after which you can download the configuration software for your product.

1. Introduction

1.5 Preliminary notes

Main parts of the electromagnetic flowmeter are:

- **Sensor** – installed in the tube with the use of flanges and other joints;
- **Converter** – can be installed on the sensor (in compact version) or remotely (in remote version) connected with two pipes.

EN

Electromagnetic flow meters have many important advantages compared to their mechanical counterparts, such as exceptional long-term stability, maximum process reliability, and zero maintenance. As a result, these sensors can provide accurate and reliable long-term measurements. See the following paragraphs for more detailed information on correct installation.



NOTE

Electromagnetic flow meters are designed specifically to operate under the following basic conditions:

- ▶ the liquid must be conductive;
- ▶ pipe must be always full and free from air and bubbles;
- ▶ the input and output distances must be on recommended settings;
- ▶ The grounding instructions must be followed.

1.6 Product identification

Each **Sensor** manufactured by Euromisure has an identification plate (Fig. 1) that displays the following information:

- **MODEL**: Sensor model;
- **S/N**: Sensor identification number;
- **DN**: Nominal diameter [inches or mm];
- **PN**: Nominal pressure;
- **TEMP.**: Maximum liquid temperature for process completion;

- **IP**: International degree of protection
- **ELECTRODES**: Electrodes material composition
- **LINING**: Lining material
- **KA**: Calibration coefficient
- **CE**: Marking

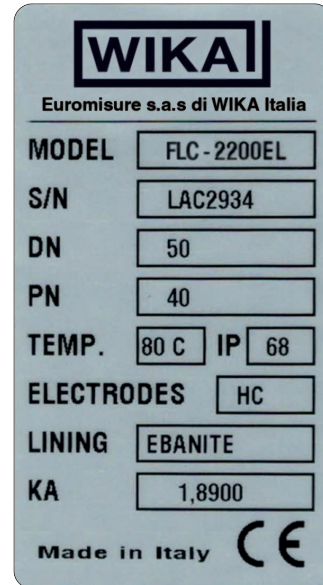


Fig. 1: Identification plate



NOTE

The identification plate must never be removed, damaged, or changed. It must also be kept clean from any dirt deposits, as the data contained are the only safe and unambiguous way to recognize the type of converter and be able to complete the repair request form attached to this manual.

1. Introduction

1.7 Applications

The sensors manufactured by the company Euromisure are widely used in many applications where it is important to measure the flow rate of electrically conductive liquids. Various models can be used in different applications. The table below shows the typical applications according to the individual sensor models manufactured by Euromisure.

Applications	Sensor model						
	FLC-2200EL / US	FLC-2300 / US	FLC-1000EL / US	FLC-1100J	FLC-1222	FLC-2660	FLC-2770
Wastewater	X	X	X	X			
Industrial drainage water	X		X		X		X
Industrial wastewater	X	X	X				
Data acquisition for report and analysis	X	X	X	X	X	X	X
Night applications with very low flow rates		X					
Leakage control		X			X	X	X
Dams	X						X
Water distribution	X	X			X		
Distribution, municipal waters		X					
Sludge	X						
Water network management					X	X	X
Flow monitoring					X	X	X
Industrial liquids	X	X	X		X	X	
Installation in small spaces without linear distances		X					
Irrigation	X	X		X			
Process liquids, sludge, and concrete	X		X		X	X	X
Mines	X		X				
District measure					X	X	X
Drinking or wastewater measurement	X	X	X				
Tax measures	X	X					
Industrial processes	X	X	X	X	X	X	X
Flow profiling					X	X	X
Leakage detection		X			X		
Building sector	X			X			
Fire-fighting systems	X			X			
Refrigeration systems	X			X			
Pumping stations	X	X					
Water treatment	X		X				
Verification of flow meters on site					X	X	X

EN

2. Product description

2. Product description

2.1 Operating principle

The electromagnetic sensor is used to measure the flow rate of liquids (drinking water, wastewater, beverages, fertilizers, chemical products, and any other liquid) that have an electrical conductivity of at least 5 $\mu\text{S}/\text{cm}$.

EN

Electromagnetic flow meters are the best solution for measuring the flow rate liquids because of fast response times, great measurement accuracy, and a passage tube that does not present any obstruction to the liquid flow, therefore no pressure drop in the pipe. Furthermore, since they do not use any moving parts, they require virtually no maintenance. Euromisure electromagnetic flow meters cover a wide variety of applications (e.g., water flow meters, wastewater flow measurement, fertilizer flow measurement, etc.) and respond to every customer request thanks to the wide range of models. Meters are available in wafer, flanged, threaded, and insertion versions from DN6 to DN2000 in pressure class up to ANSI900.



NOTE

In order to perform its measuring function, the sensor must be combined with a converter.

The converters are designed to meet all the needs of modern water management systems through flexible and hybrid electronics, which, depending on the model, offers various electrical power solutions.

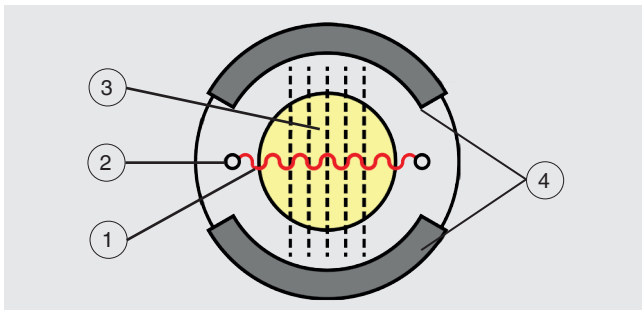
At the ends of a conductive fluid that moves with speed v in a magnetic field B an electromotive force e is induced and can be expressed as:

$$e = kBDv$$

Where:

- B is constant by construction;
- D is constant and represents the distance between the electrodes $E1$ and $E2$ (equivalent to the flow meter diameter);
- v is the speed of the liquid;
- k is the calibration constant.

The electromotive force «e» is proportional to the speed «v».



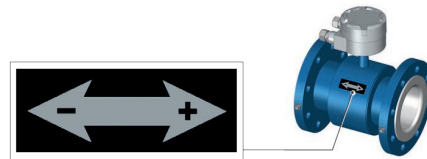
- 1 Electromotive force (proportional to the speed)
- 2 Electrodes
- 3 Magnetic field
- 4 Coils

2.1.1 Bidirectional reading

The sensor has a possibility of bidirectional reading (i.e., it is able to read the flow of the liquid in both directions).

By convention, the sensor will output positive values if the liquid flows:

- **in the same direction as the arrow (enters in – and exits in +)**, the flow is positive, and the display will show a reading without a sign;
- **in the opposite direction to that indicated by the arrow (enters in + and exits in -)**, the flow is negative, and the display will show a reading with a negative sign.



Direct flow -> number without sign



Reverse flow -> negative number

2.2 Available versions

Euromisure manufactures its sensors in different versions, each intended for use in different applications, as summarized in the paragraph "1.7 Applications."

The different sensor versions available are shown below.

2.2.1 Flanged sensors

- FLC-2200EL – Full Bore
- FLC-2300 – Reduced Bore

2.2.2 Wafer sensors

- FLC-1000EL - Wafer
- FLC-1100J - Wafer in plastic material

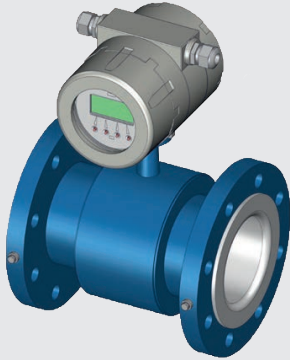
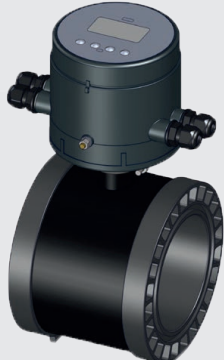

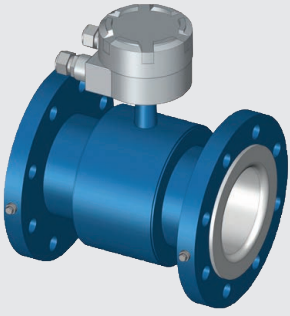
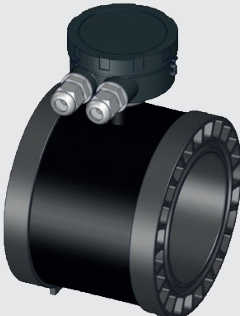
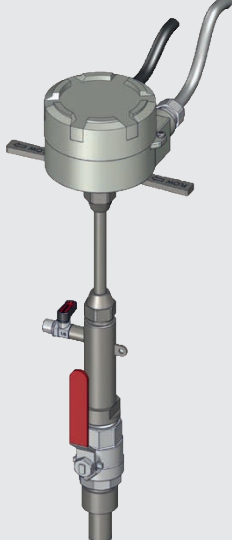
2.2.3 Insertion sensors

- FLC-1222
- FLC-2660
- FLC-2770

2. Product description

2.3 Type of installation of the sensor

The sensors in different versions can be connected to the converter in two different ways, namely:

Installation	Flanged Sensors	Wafer Sensors	Insertion Sensors
<p>COMPACT installation The sensor is connected directly to the related converter.</p>			
<p>SEPARATE installation [remote] The sensor is connected to the converter by specific power/signal cables.</p>			

EN

3. Installation

3. Installation

3.1 Storage



NOTE

To ensure the correct maintenance of the device while waiting for its installation, it is necessary to comply with the storage provisions below:

- ▶ Store the device in a dry place and protected from dust;
- ▶ Keep away from direct and continued sunlight;
- ▶ Keep the device in the original packaging until it is used;
- ▶ Temperature of the storage place: $-40 \div +70 \text{ }^{\circ}\text{C}$ ($-40 \div +158 \text{ }^{\circ}\text{F}$)

3.2 Moving



CAUTION!

The sensor must be carefully lifted and moved so as not to cause damage to the sensor itself and connection flanges. Below you will find a description of correct and incorrect lifting and moving.

The proper lifting method (for transport and installation) of the sensor is shown in Fig. 2. The flow meter must be lifted and transported by properly harnessing the device on the side parts of the flow meter, making sure that the slings (ropes, bands, etc.) are fixed to the appropriate eyebolts.



WARNING!

Do not raise the flow meter harnessing the converter (Fig. 3)!!



WARNING!

Do not move the flow meter with the lifting device if it is not in the original packaging (Fig. 4) or without adequate support that ensures the required stability.

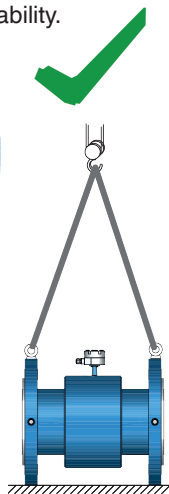


Fig. 2

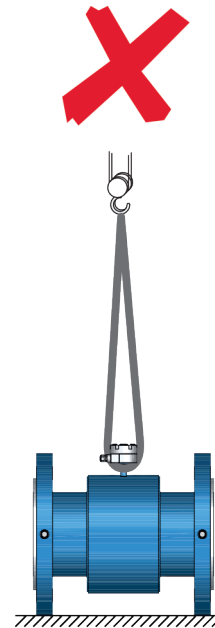


Fig. 3

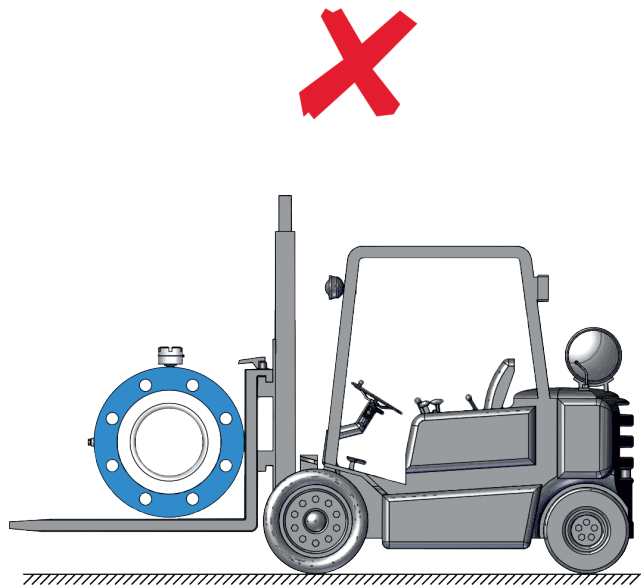


Fig. 4

3. Installation

3.3 General installation requirements



IMPORTANT NOTE

The sensor must always be completely full of liquid (see Fig. 5)!

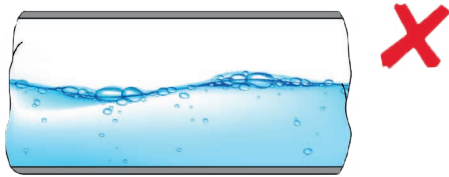
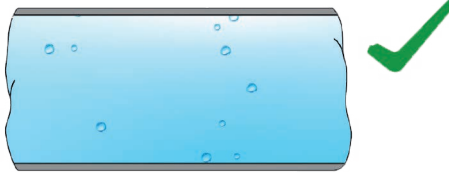


Fig. 5: The pipe must always be completely full of liquid

3.3.1 Vibrations

DO NOT expose the flowmeter to vibrations and/or movements that could affect its performance and duration.

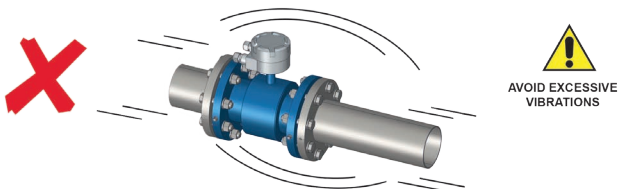


Fig. 6: Avoid vibrations

Install a suitable anti-vibration protection if vibrations occur.

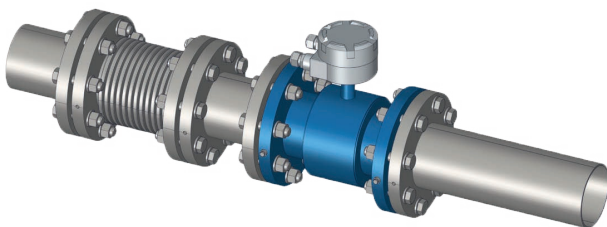


Fig. 7: Installation with anti-vibration protections

3.3.2 Magnetic fields

AVOID exposing the flow meter to strong or nearby magnetic fields.

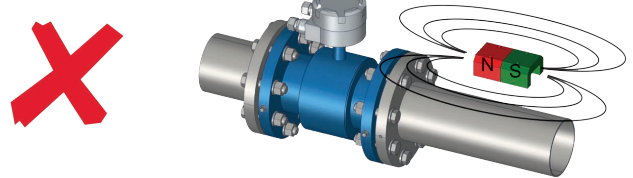


Fig. 8: Avoid magnetic fields

3.3.3 Negative pressure



IMPORTANT NOTE

Avoid vacuum conditions in the pipe. These can damage the coating of the flow meter and move the electrodes from their correct position.

3.3.4 Protection from direct sunlight

Protect the flow meter if exposed to direct sunlight.

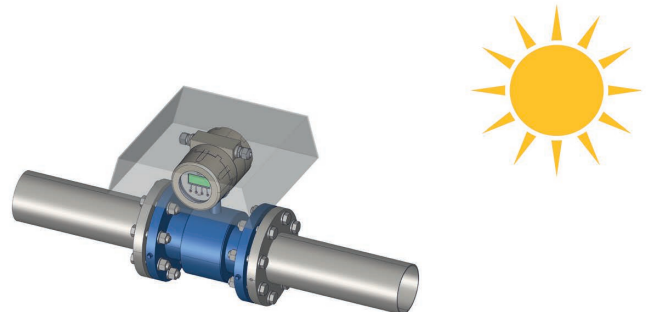


Fig. 9: Avoid direct exposure to sunlight

3. Installation

3.3.5 Operating temperatures

For normal and efficient operating of the flow meter, the room temperature must be limited within the range of $-25 \div +60$ °C, $(-13 \div +140)$ °F.

EN

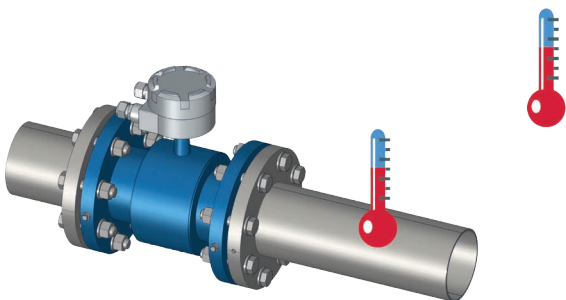


Fig. 10: Environment and fluid temperature limits

Sensor liner and converter configuration	°C		°F	
	Min.	Max.	Min.	Max.
Coating in EBONITE	-40	+80	-40	+176
Coating in PTFE (remote)	-40	+130	-40	+266
Coating in PTFE (compact)	-40	+80	-40	+176
Coating in PTFE (separate high temperature)	-40	+180	-40	+356
FLC-1100J	0	+80	32	+176
Insertions	-20	+80	-4	+176

3.4 Installation conditions

3.4.1 Positioning in relation to the plant



NOTE

To ensure optimal working conditions, the flow meter must be installed correctly inside the system. Correct and incorrect installation positions are described and illustrated below.

The flow meter must remain below the hypothetical blue line (piezometric level line), which connects the two levels of fluid to be measured (Fig. 11).



NOTE

Avoid placing the flow meter above the piezometric level line (Fig. 12).

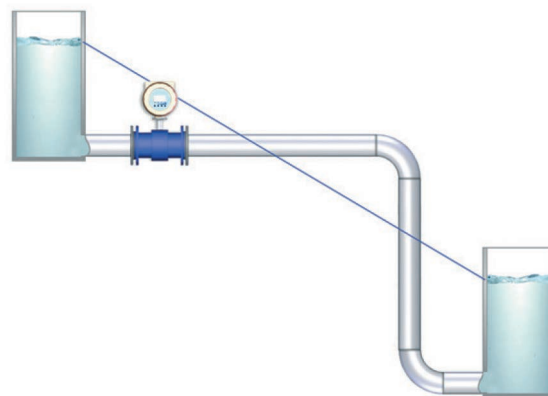


Fig. 11: Correct position

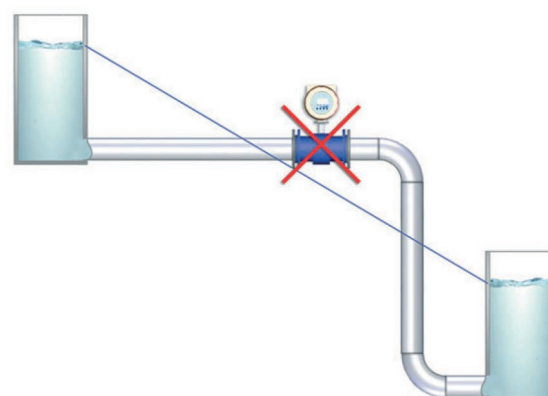


Fig. 12: Incorrect position

3. Installation

3.4.2 Important guidelines for correct installation



NOTE

The junction box on the sensor is designed to have the IP68 protection degree only when properly closed and tightened. The manufacturer does not assume any responsibility for an improper closing by third parties.

For correct working conditions, please follow the important guidelines shown in the following figures. Improper installation may result in an inaccurate measurement. For partially filled pipes or with downward flow and free exit, the flow meter should be placed in a U-shaped tube (see Fig. 13).

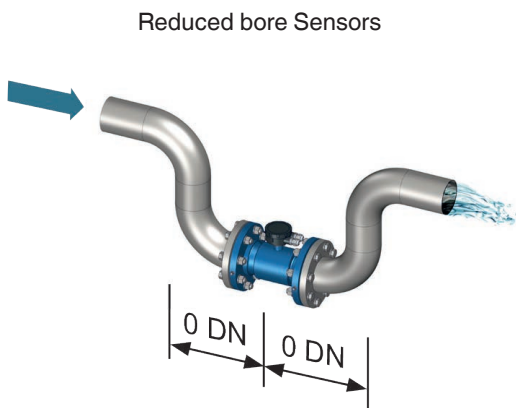
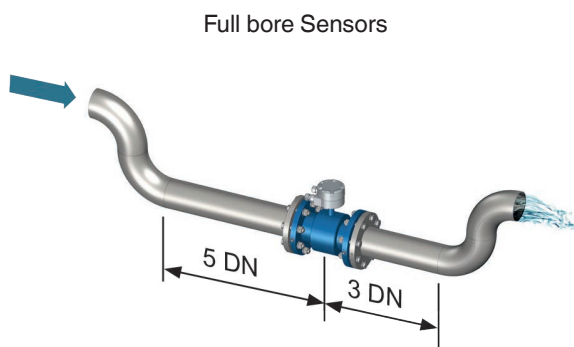


Fig. 13: Installation on U-shaped tube

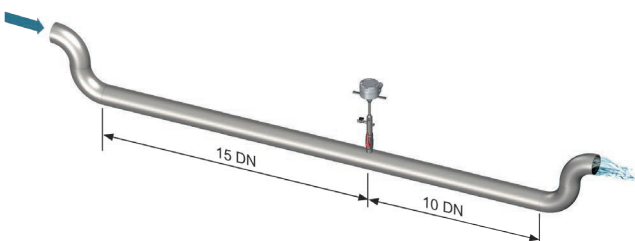


Fig. 14: Installation of Insertion Sensors on U-shaped tube

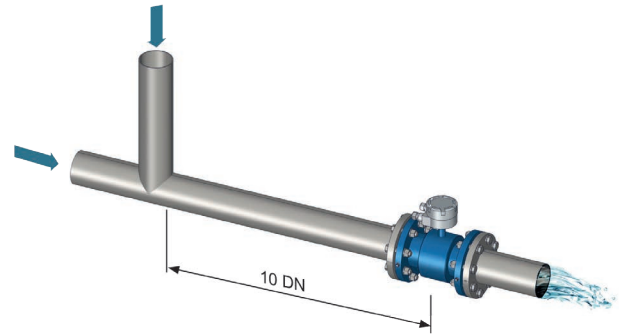


Fig. 15: "T" connection downstream of the flow meter installation on U-shaped tube

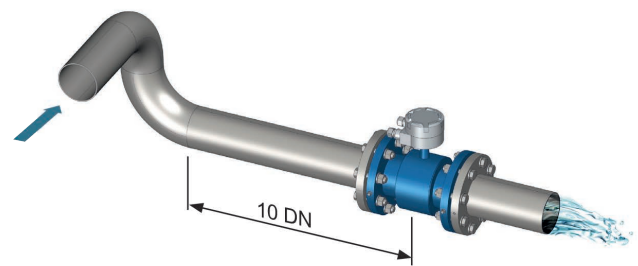


Fig. 16: Installation near three-dimensional bends



IMPORTANT NOTE

The sensor must always be completely full of liquid!

To ensure that the sensor is always completely filled with liquid, it is important to install it in the correct position (✓) and avoid all possible incorrect positions (✗).

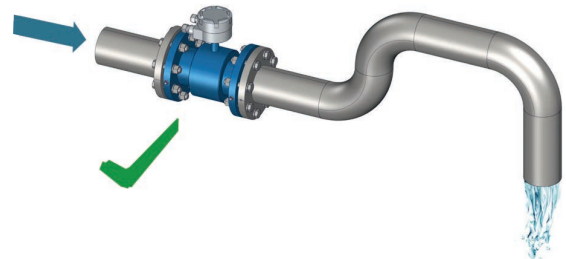


Fig. 17: ✓ This installation secures the sensor full of liquid.

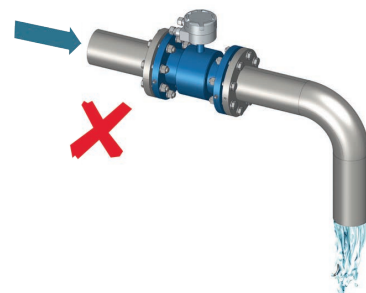


Fig. 18: ✗ This installation DOES NOT guarantee a pipe full of liquid.

3. Installation

We recommend installing the sensor on a vertical/sloped pipe with an upward flow direction (Fig. 19) to minimize the wear and deposits in the sensor.
Avoid the installation on vertical pipes with free exit (Fig. 20).

EN

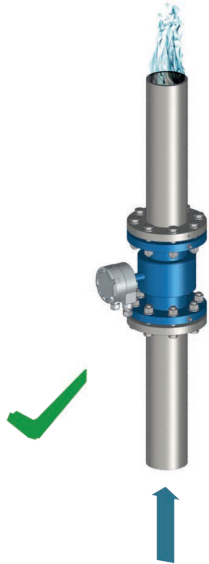


Fig. 19: Correct position

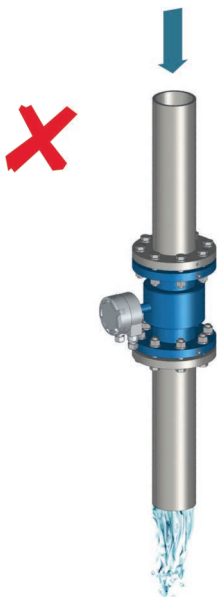


Fig. 20: Incorrect position

✓ The position on the left secures the sensor full of liquid.
X Central and right positions DO NOT guarantee a pipe full of liquid.

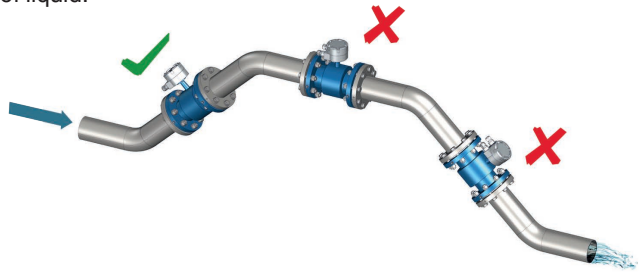


Fig. 21: Correct (LH) and incorrect installation (central and RH)

We recommend installing gate valves downstream of the meter.



Fig. 22: Gate valves installation

X In order to avoid a vacuum, always install the sensor downstream of the pump and NEVER upstream.

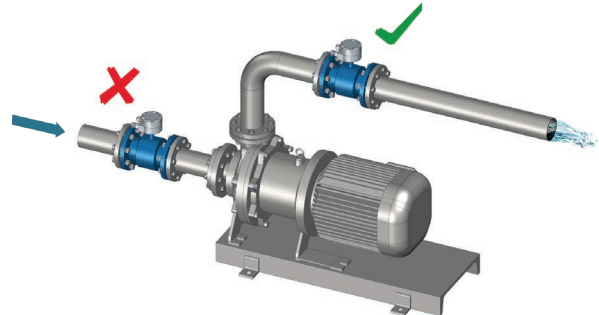


Fig. 23: Avoid negative pressure

X DO NOT install the sensor on vertical pipes with a free outlet or at the highest point of the pipe system.

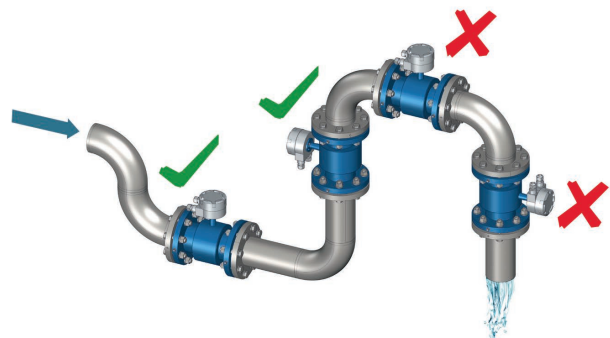


Fig. 24: Incorrect installation

3. Installation

3.5 Installation

3.5.1 Important instructions on installation

In case of inadequate distance between the sensor and the pipe, use elastic pipe fittings (Fig. 25).

Do not try to move the pipe closer to the sensor by tightening the bolts (Fig. 26).



NOTE

Do not try to move the pipe closer to the sensor by tightening the bolts.

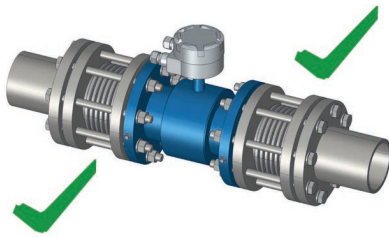


Fig. 25: Correct fixing

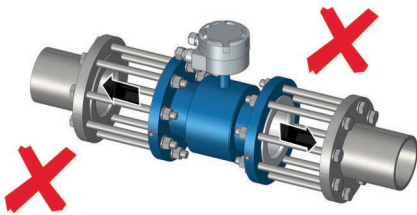


Fig. 26: Incorrect fixing

Also avoid the following positions:



NOTE

Insertion meters can also be installed horizontally.

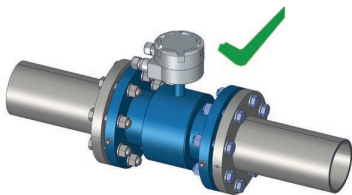


Fig. 27: Correct position

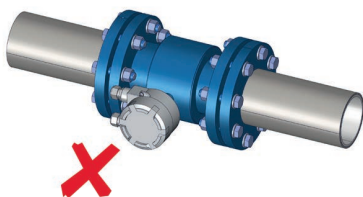


Fig. 28: Incorrect position

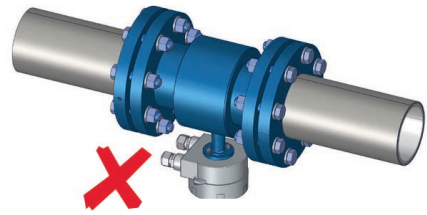


Fig. 29: Incorrect position

Maximum allowable deviation of the pipe flange faces is 0.5 mm.

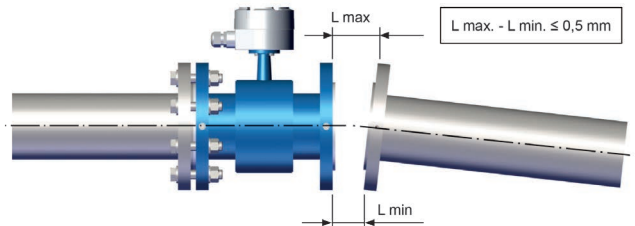


Fig. 30: Maximum allowable deviation

3.5.2 Sensor support

X DO NOT USE the sensor as a support for the pipe.

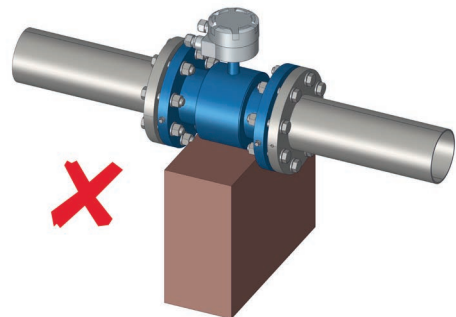


Fig. 31: Incorrect installation

✓ The pipe must be the support for the flow meter.

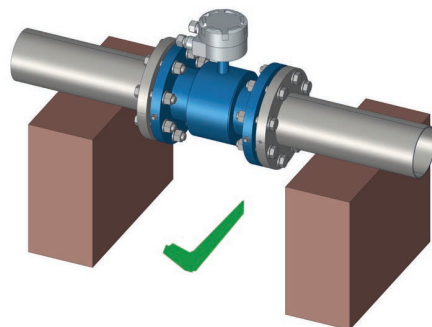


Fig. 32: Correct installation

3. Installation

3.5.3 Tightening torque

3.5.3.1 Flanged sensors

Standard bolts must be lubricated well and tightened evenly around the gasket. If the bolts are overtightened, leakage or damage to the flow meter or piping may occur.

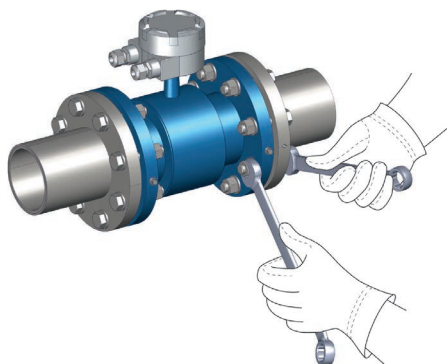


Fig. 33: Flange tightening

Carefully follow the instructions given in the diagrams. Check the correct centering of the sensor before you tighten

the flanges and proceed following the steps described here.

- Step 1: $\approx 50\%$ of the maximum tightening torque;
- Step 2: $\approx 80\%$ of the maximum tightening torque;
- Step 3. 100% of the maximum tightening torque given in the diagram.

All the values are theoretical and have been calculated for optimal conditions and with the use of carbon steel flanges.

3.5.3.2 Wafer sensors

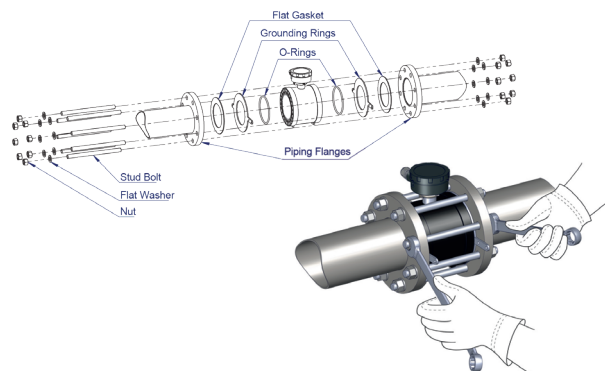


Fig. 34: Flange tightening

DN	PN	BOLTS	Maximum tightening torque [Nm]				
			FLC-2200EL		FLC-1000EL		FLC-1100J
			PTFE	Ebonite	PTFE	Ebonite	OR NBR
15	40	4xM12	10	6	-	-	-
20	40	4xM12	16	10	-	-	-
25	40	4xM16	20	12	15	-	-
32	40	4xM16	35	20	25	-	-
40	40	4xM16	45	25	30	-	25
50	40	4xM16	55	30	40	-	35
65	40	8xM16	38	25	30	-	25
80	40	8xM16	45	25	35	-	30
100	16	8xM16	45	25	35	-	30
125	16	8xM16	55	40	45	32	-
150	16	8xM20	70	50	60	45	50
200	10	8xM20	85	70	-	55	-
200	16	12xM20	70	45	-	35	-
250	10	12xM20	80	65	-	50	-
250	16	12xM24	115	80	-	65	-
300	10	12xM20	90	75	-	60	-
300	16	12xM24	145	105	-	85	-
350	10	16xM20	100	75	-	-	-
400	10	16xM24	140	105	-	-	-
450	10	20xM24	-	95	-	-	-
500	10	20xM24	-	110	-	-	-
600	10	20xM27	-	140	-	-	-
700	10	20xM27	-	160	-	-	-
800	10	24xM30	-	220	-	-	-
900	10	28xM30	-	205	-	-	-
1000	10	28xM35	-	260	-	-	-

3. Installation

3.5.4 Underground installations

The remote sensor is protected by IP68 / NEMA 6P and can be positioned underground. We recommend the use of gravel for at least 300 mm (12 inches) around the sensor. This provides drainage and prevents dirt solidification on the sensor. In addition, it facilitates the location of the same if new excavations are required. Before covering the gravel with earth, we recommend using electrical cable identification tape above the gravel itself. The remote sensor cable should pass through a plastic conduit.

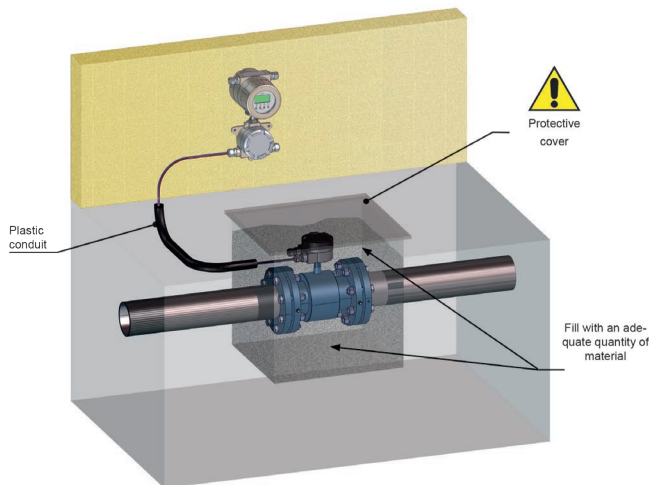


Fig. 35: Underground installation

3.6 How to avoid air pockets in the pipelines

This paragraph is intended to help the designers and users of electromagnetic flow meter to create the best installation layout that guarantees optimum performance of the meter, taking into particular consideration the problem of the presence of air pockets in the pipe.

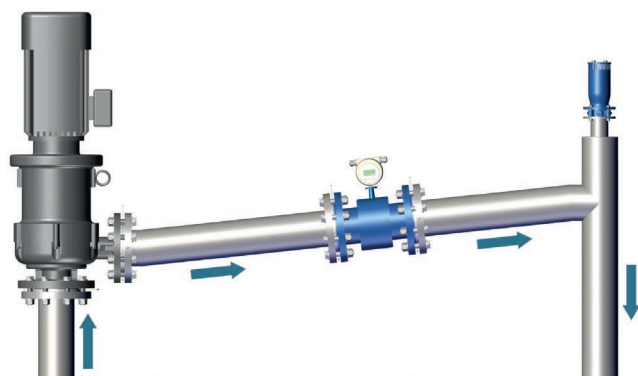


Fig. 36: Pumping stations with flowmeters and vent valves



NOTE

What are the problems caused by the air pockets entrapped in any flowmeter?

The presence of air pockets can cause serious reading errors or strong instability. In this case, the flow meter could go into Error mode (see the related converter manual).



NOTE

How are air pockets removed, or moved away from the flow meter?

The air pocket inside a pipe always moves toward the top of the pipe, and it is assumed that the air will always move if the flow passes along a horizontal pipe, but this is not the case. Instead, a specific water speed is required to move the air; the greater the diameter of the pipe, the higher the airspeed is required to move it away from the flow meter. Typically, most installations of flow meters are simply sized on the diameter of the tube or on the flow rate in the pipe, which means that the speed is often less than 0.5 m/s, which can be very problematic if the air pockets occur. As an example in a pipe with zero gradients, these are the specific water speeds necessary to move away the air pockets detected in the tube:

- DN50 → 0.4 m/s
- DN150 → 0.7 m/s
- DN300 → 1 m/s
- DN600 → 1.5 m/s



Fig. 37: Air pockets inside the pipe

The greater the diameter of the pipe, the higher the speed of the liquid will be required to move the air pockets away from the flow meter. It is also important to understand what kind of effect the water pressure has on the nature of the air pocket inside the pipe. The lower the pressure in the tube, the greater the size of the air pocket is, and the greater the effect it will have on the performance of the flow meter. By increasing the pressure in the duct, the air pocket will compress, causing fewer problems. This can be achieved by installing pressure control valves after the flow meter to maintain constant pressure in any situation.

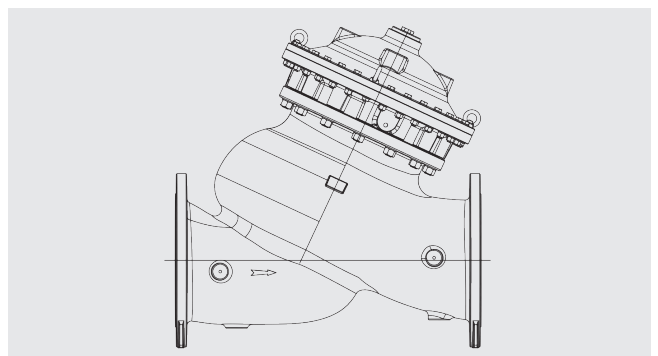


Fig. 38: Example of pressure control valves

One solution is to install the flow meter on a pipe with an increasing slope so that the entrapped air pocket will move to the highest point. Then, through special vent valves, the air will be released from the pipe, maximizing the system capacity.

3. Installation

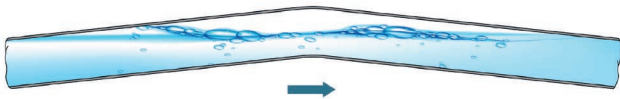


Fig. 39: Pipe with an increasing slope for application of vent valves

EN

A minimum slope in an ascending flow of 1:500 or higher is recommended in order to stimulate the entrapped air pocket to move away from the meter.

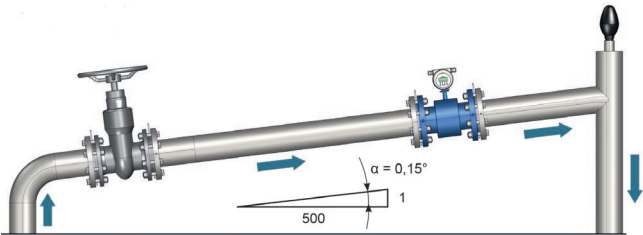


Fig. 40: Flow meter with slight ascending slope with air vent at the top. Drawings are made with an exaggerated slope for greater clarity

A second solution is to mount the flow meter vertically with an upward flow stream, which ensures that the air always moves quickly past the meter.



NOTE - IMPORTANCE OF AIR VENT VALVES

The general principle of each installation is to ensure that the device is always full of water; however, this is not always possible since a part of the network could drain when the pumps are turned off. It is, therefore, essential to ensure that the design incorporates a properly designed and sized air vent valve to release the air when the pump starts, making sure that the meter immediately starts reading.

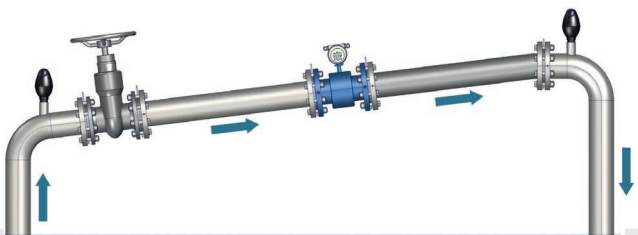


Fig. 41

The design of the vent valve is essential to ensure that the entrapped air pockets are released. Pneumatic valves or vacuum switches should be avoided. Instead, it is preferable to use combined pneumatic valves that incorporate an automatic orifice, as well as a large kinetic orifice. These valves ensure that the largest volumes of air are released quickly and effectively while filling the pipe.

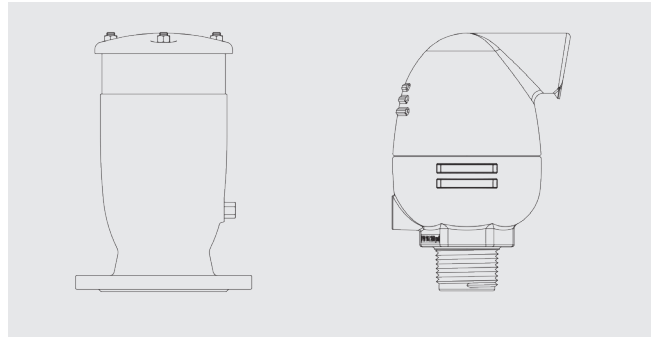


Fig. 42: Typical combined air vent valve, designed with automatic and kinetic air release functions

3.7 Instructions for diameter reduction



NOTE

In the case of diameter reduction, please refer to the indications shown in the figure (43) below.

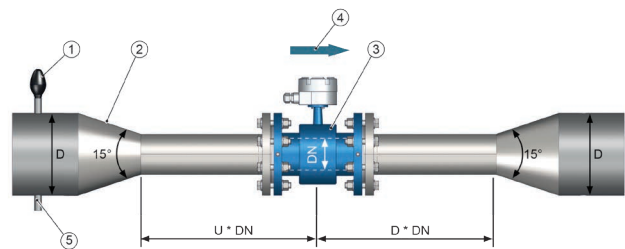


Fig. 43: Installation on pipes with diameter reduction

- ① Vent
- ② Recommended maximum vertex angle: 15°
- ③ Flow rate meter
- ④ Flow
- ⑤ Discharge

Flowmeter type	U	D
Full Bore	5	3
Reduced Bore	0	0
Insertion	15	10



NOTE

The diameter reduction introduces a pressure drop in the system. Pay attention, especially when the flow rates are high and if the section reduction is applied simultaneously with the use of reduced section meters. In the case of low pressures, the section reduction could also lead to cavitation formation, especially if the meter has a reduced section; this condition must be absolutely avoided.

4. Potential equalization

4. Potential equalization

4.1 General indications

The sensor must be grounded, as shown in the figures below, using the cables with a minimum section of 2.5 mm² (recommended: 4 mm²). This will assure the potential bonding, noise reduction, and, in the case of a metal pipe, it will guarantee electrical continuity.

Liquid potential equalization or grounding is obtained with the built-in grounding electrode (the so-called 3rd electrode). The 3rd electrode electrically connects the liquid to the device in order to provide a stable and accurate measurement.



NOTE

The sensor must always be grounded!
An incorrect grounding may lead to an incorrect measurement.



NOTE - GROUNDING CABLE

Minimum section 2.5 mm² (recommended: 4 mm²), grounding screws M5. Recommended ground resistant value is $\leq 5 \Omega$.



NOTE

The flow meter is equipped with a grounding electrode (third electrode). In the case of plastic or coated pipes, we recommended the use of ground rings.

Earthing rings can be used on both ends of the pipes. The earthing rings are indispensable in the case of plastic or coated metal pipes to ensure good potential compensation. Earthing rings are supplied on request. Refer to the following images for more information.

4.1.1 SEPARATE version grounding connection

The sensor must be earthed using the appropriate ground screw placed on the separation box.

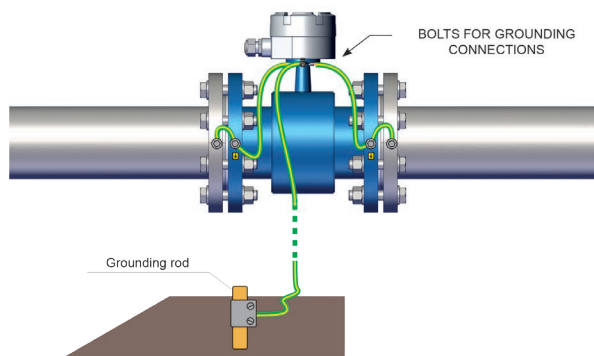


Fig. 44: Separate version grounding connection

4.1.2 COMPACT version grounding connections

The sensor must be earthed using the appropriate ground screw placed on the converter casing.

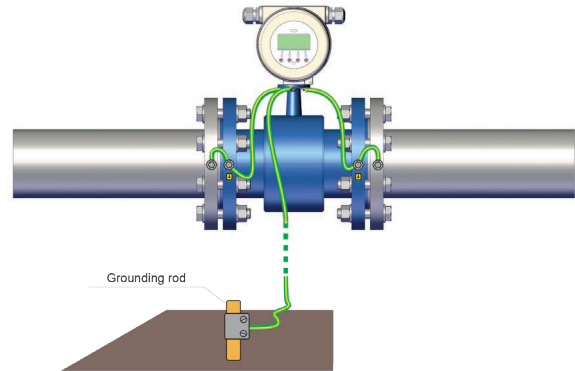


Fig. 45: Compact version grounding connection

4.2 Plastic pipes

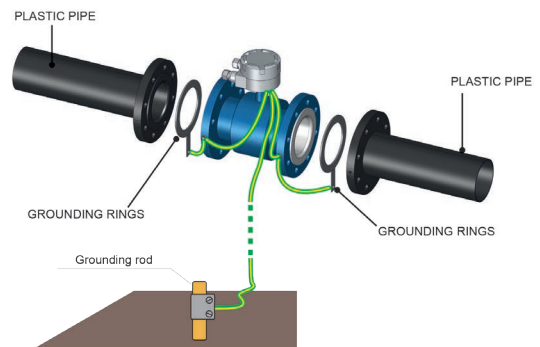


Fig. 46: Application of grounding rings

4.3 Metal pipes

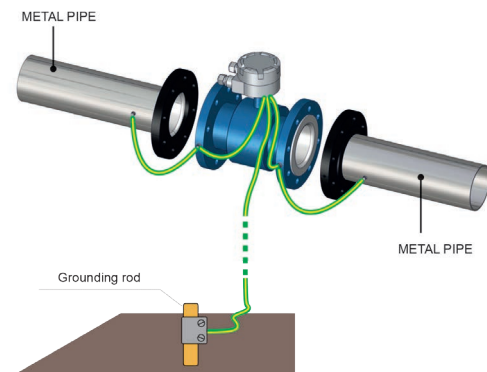


Fig. 47: Grounding of sensor on metal pipes



NOTE

In the case of metal pipes with an insulating coating, follow the instructions for plastic pipes.

4. Potential equalization

4.4 Metal pipes with insulating adapters

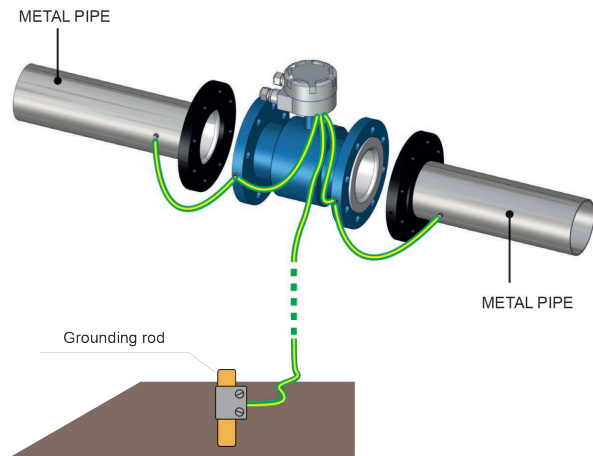


Fig. 48: Grounding of the sensor on metal pipes with adapters

4.5 Metal and plastic pipes

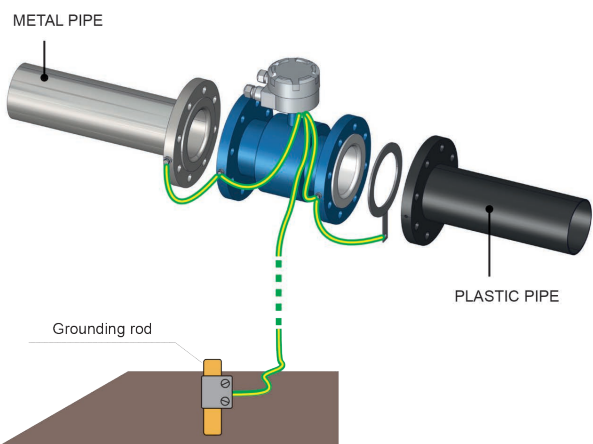


Fig. 49: Grounding of the sensor on metal and plastic pipes (with grounding rings)

4.6 Pipes equipped with cathodic protection

Particular attention must be paid when installing the product in the pipeline with cathodic protection.

Isolate it from the pipeline by installing isolation bushings and washers on the bolts of the flange and connect a wire between the pipes, large enough to handle the cathodic current and the environmental effect. Use the grounding rings on both ends (see Fig. 50).

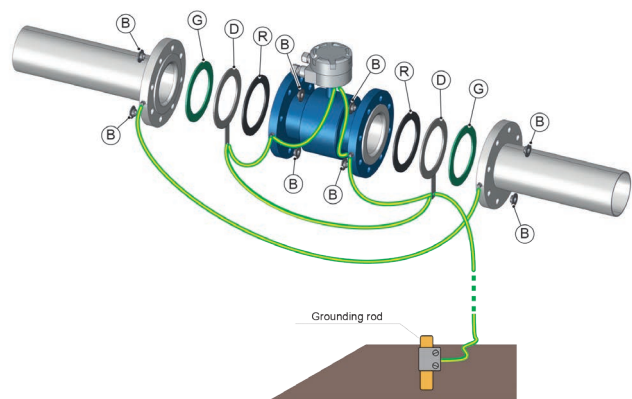


Fig. 50: Grounding of the sensor on protected cathodic pipes

- (B) Insulating washers
- (G) Insulating gaskets
- (D) Metal grounding ring
- (R) Sensor insulating coating

5. Electrical connection

5. Electrical connection

5.1 SEPARATE version sensor connection



NOTE

All operations on the electrical connections must be carried out if the instrument is disconnected from the mains and/or from the battery!



NOTE

All operations performed on the electrical junction box or the electrical components of the device must be carried out by duly trained and specialized personnel.

The sensor is supplied with cables connected and resin coated in the separation box unless otherwise requested by the customer. The following diagrams, for the connection of the separation cables between sensor and converter, may vary according to the type of converter; therefore, follow the indications given in the relevant documentation.

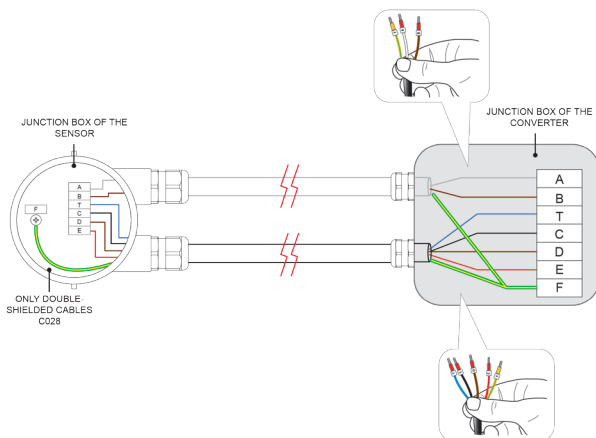


Fig. 51: Connection of the separation cables between sensor and converter



NOTE

If cables in the coil are used, always use the ferrules for the connections in the terminal board and adequately insulate the shields.



NOTE

Use only cables supplied by Euromisure.



WARNING!

After making all the necessary connections, make sure to properly tighten the cable glands and the cover, in order to protect the insulation of the cables and the electrical/electronic boards from humidity and water in case the converter is installed outdoors. Refer to the manual of the relative converter for more information.

5.2 Electrical diagrams

5.2.1 Connection with standard single-shielded electrode cable

The shields must ONLY be connected on the converter side.

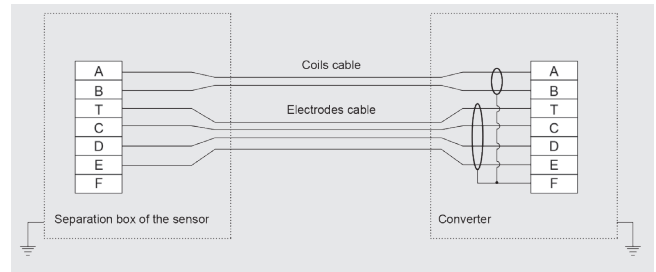


Fig. 52: Standard single-shielded cables - C022

5.2.2 Connection with standard double-shielded electrode cable

The shield of the coil cable must be connected ONLY on the converter side, as well as the INTERNAL shield of the electrode cable. The EXTERNAL shield of the electrode cable must be connected to the case on the earthing point of the separation box of the sensor.

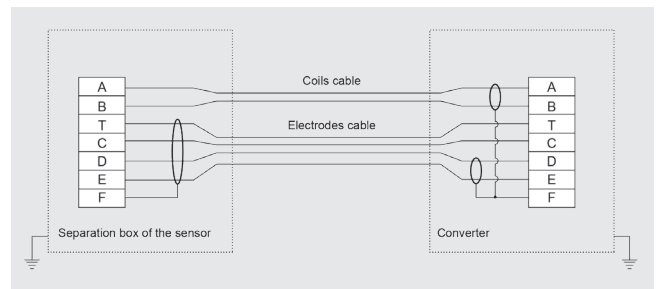


Fig. 53: Standard double-shielded cables - C028

5. Electrical connection / 6. Pressure tap

5.3 Separation cables

5.3.1 Optional single-shielded electrode cables - C022

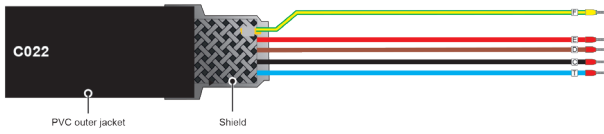


Fig. 54: Standard single-shielded electrode cables - C022

5.3.2 Optional double-shielded electrode cables - C028

C028 cables are provided with double shielding, one external, and one additional shielding of the single signal cables of the measuring electrodes only.

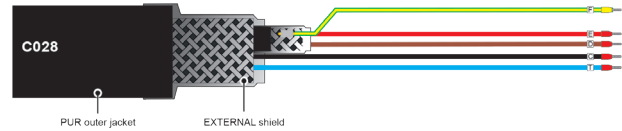


Fig. 55: Optional double-shielded electrode cables - C028

EN

6. Pressure tap

The FLC-2200EL sensor can be optionally supplied with a 1/8" GAS pressure plug to which a pressure transducer can be connected. The pressure transducer can be supplied by Euromisure on request, and it will be integrated into the converter, or a third-party sensor can be used. It is recommended to place a valve between the pressure tap and the transducer so that the transducer can be assembled and disassembled while keeping the pipeline under pressure. Characteristics and dimensions of the pressure transducer supplied by Euromisure may vary depending on the model of the connected converter.

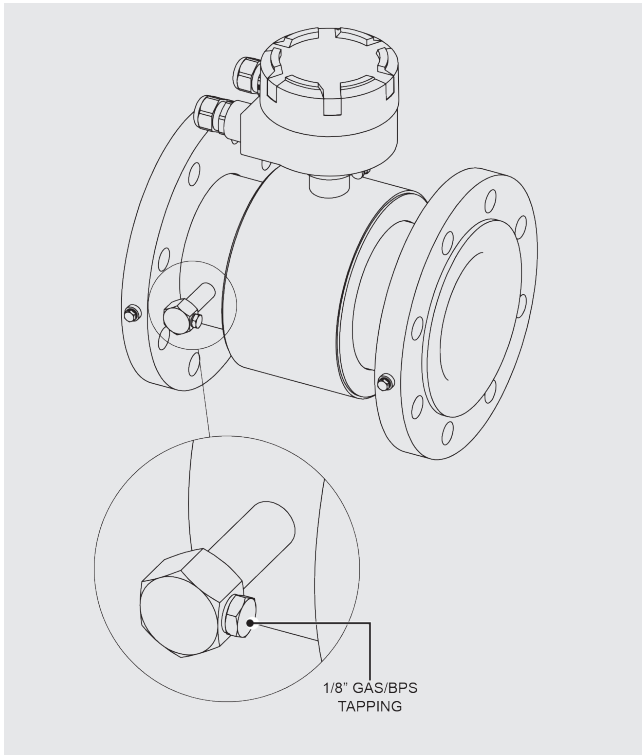


Fig. 56a: Pressure tap

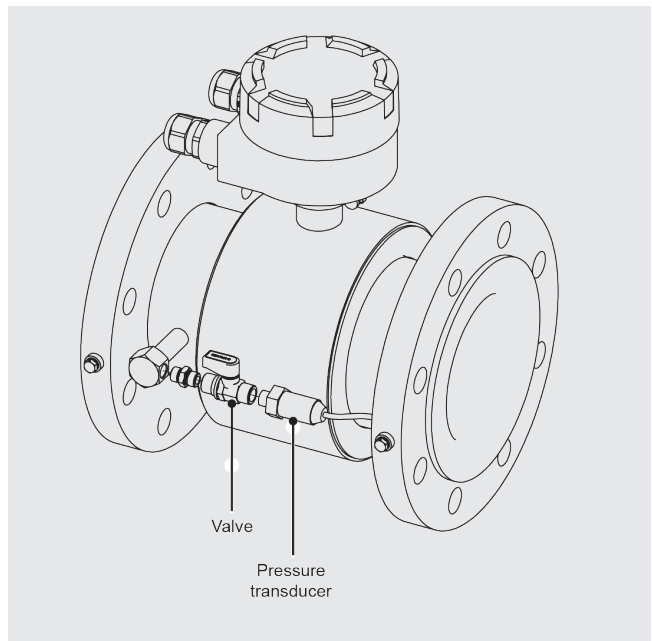


Fig. 56b: Pressure tap

7. Insertion meters

7. Insertion meters

7.1 Introduction

The insertion flow meters are intended to be inserted inside existing pipes, with minimal intervention on the existing system, through a threaded or flanged sleeve and possibly a valve.

The meter can be installed in any pipe of internal diameter between DN50 and DN2600.

This type of sensor is designed for use in survey applications, such as leakage monitoring and network analysis, and in permanent locations where cost or space limitations preclude the use of conventional flow meters.

7.1.1 Operating principle

In accordance with the international standard ISO 7145 - *Determination of flow rate of fluids in closed conduits of circular cross-section - Method of velocity measurement at one point of the cross-section*, based on a large number of experimental results it was possible to establish that, in turbulent conditions and within certain application limits*, the position of the circle centered on the axis of the tube, in which the local speed is equal to the average axial speed, remains fixed when the flow rate varies and is the same for any tube:

$$y_1 = 0,242 * R \simeq \frac{1}{8} D_i$$

Where **R** is the radius of the passage section and **D_i** the internal diameter of the same.

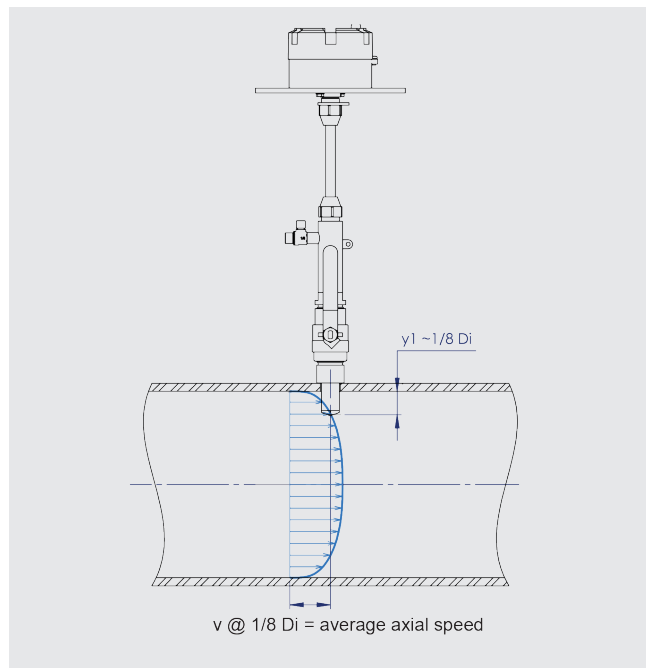


Fig. 57: Operating principle

7.2 General installation requirements

The probe must be installed at the point of average axial speed, which is located at 1/8 of the internal diameter of the pipe (Fig. 58).

The meter axis must intercept the pipe axis (Fig. 59).

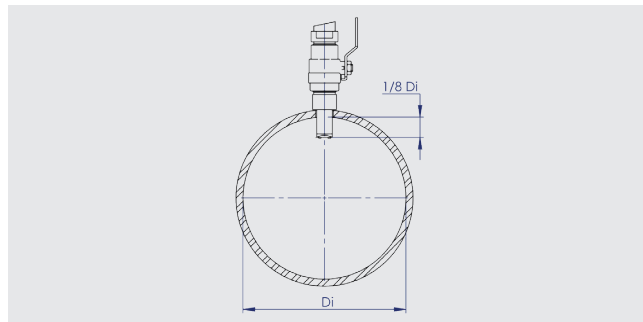


Fig. 58

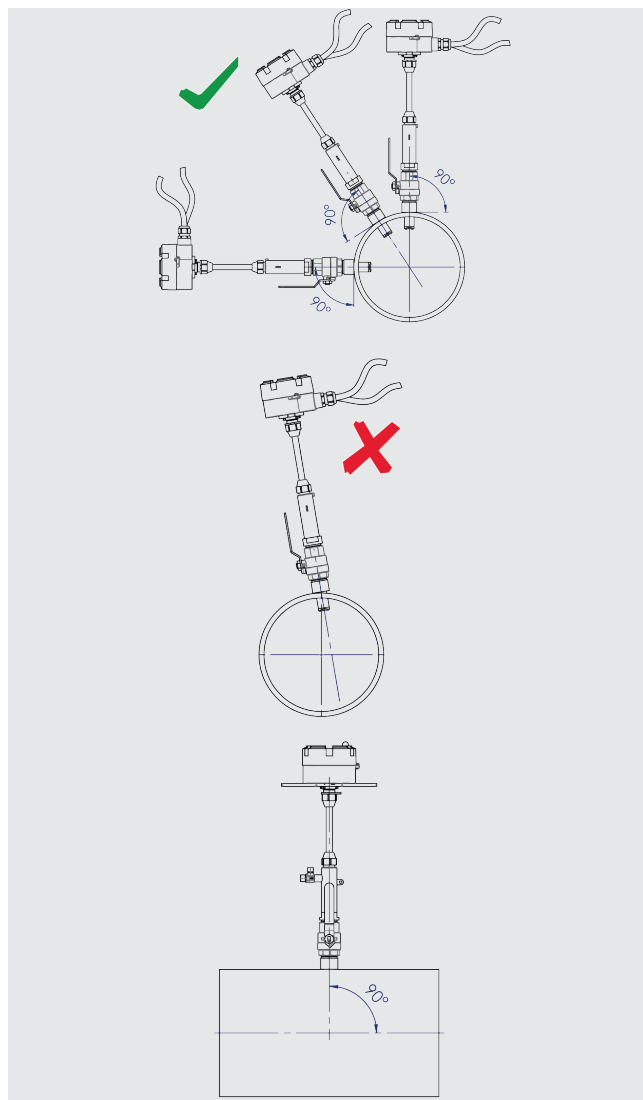


Fig. 59

7. Insertion meters

The pipe must always be full of liquid (see Fig. 60).

EN

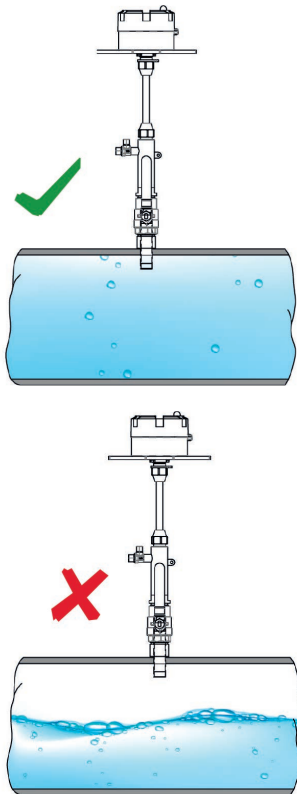


Fig. 60

7.2.1 Care of the device

The measuring head of the insertion sensor is a delicate part of the measuring instrument and must be handled with care.



WARNING!

By removing or inserting the measuring head in the pipe, make sure that the valve is completely open to avoid damage to the sensor. If there is no valve, check that the insertion sleeve is not obstructed. Any damage to the measuring head could compromise the meter and its performance. Any physical damage to the sensor probe will void the warranty.

7.2.2 Alignment of the electrodes in relation to the flow

The measurement of the flow is directly linked to the component of the distance between electrodes perpendicular to the flow axis, d' .

If the electrodes are positioned perpendicularly to the flow direction, $d=d'$, where d is the distance between the electrodes.

If the electrodes are rotated by an angle ϕ , $d' \neq d$ and an error in the measurement will, therefore, be introduced.

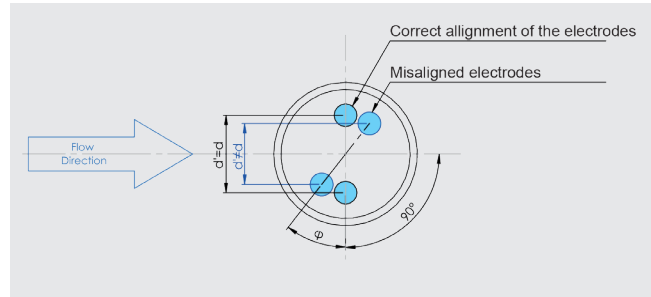


Fig. 61

It is essential to carefully position the electrodes in relation to the direction of the pipe.

Rotate to adjust the alignment of electrodes (see Fig. 62).

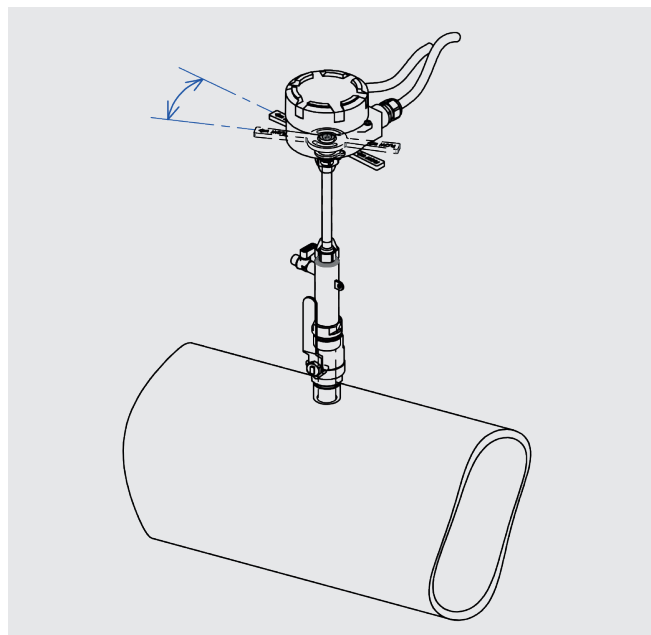


Fig. 62

7. Insertion meters

7.3 FLC-1222

7.3.1 Dimensions and main features

The FLC-1222 flow meter is available in three different sizes and can be installed in pipes from DN50 to DN2600 by using a 1" valve. The sensor is equipped with Hot-Tap functionality (i.e., it is possible to assemble and disassemble the flow meter with the pipe under pressure and full of liquid). It also has a 1/8" pressure tap.

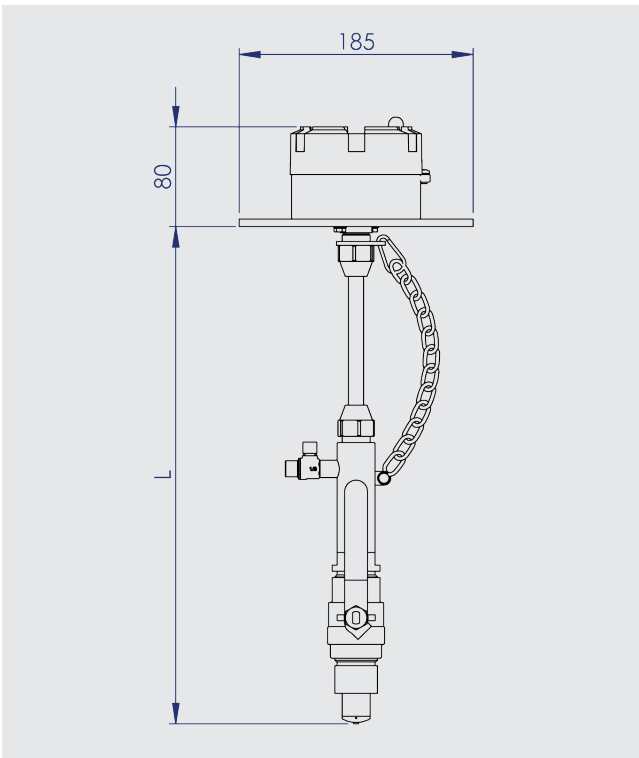


Fig. 63a: FLC-1222 dimensions

Size	DN Range	L	Insertion Max
S - Small	50 - 600	403	90
M - Medium	200 - 1500	674	135
L - Large	450 - 2600	916	220

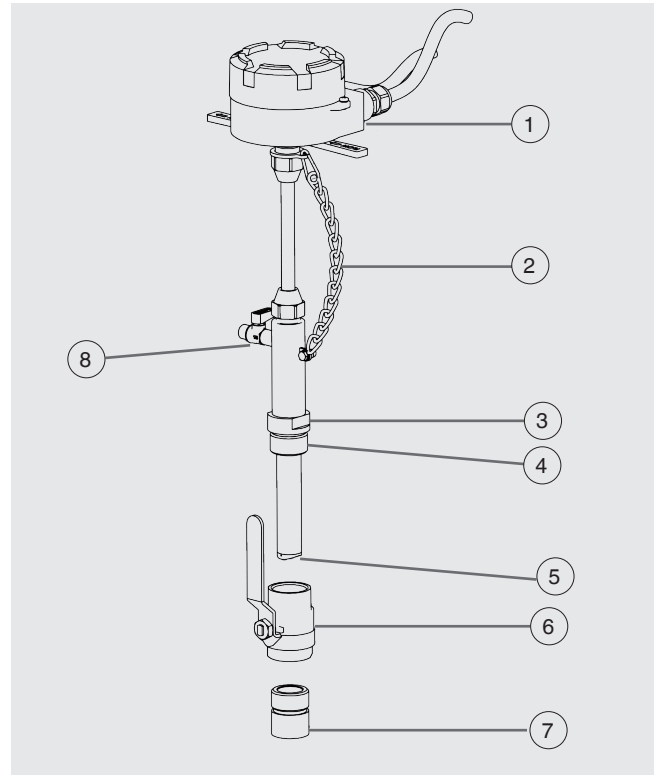


Fig. 63b: FLC-1222 features

- ① Separation box (Separate version)
- ② Safety chain
- ③ Sensor body
- ④ Sensor connection - 1" GAS - 1" NPT
- ⑤ Probe/Measuring head
- ⑥ Ball valve - 1" GAS - 1" NPT
- ⑦ Sleeve - 1" GAS - 1" NPT
- ⑧ Pressure tap 1/8" GAS



ATTENTION!

Inserting a device, flow sensor, etc., inside a pressurized pipe can be dangerous.

If the pipe pressure is high (greater than 5 bar), the insertion or removal of the sensor must be carried out with particular attention. In cases of pressure higher than 10 bar, the assembly or disassembly of the meter under pressure is not recommended. Instead, we recommend reducing the line pressure for the short period of time necessary to perform the assembly or disassembly operation. Keep in mind that, in general, the removal of the sensor can be more dangerous than the insertion of the same.

The FLC-1222 sensor is equipped with a safety chain to prevent the rapid exit of the sensor rod, which could be dangerous for the operator.

In any case, the installation, assembly, and disassembly of the sensor must be carried out exclusively by expert and trained personnel.

7. Insertion meters

7.3.2 Calculation of the insertion depth

The insertion depth I can be determined using the following formula:

$$I = \frac{D_i}{8}$$

In order to precisely set the insertion depth, it is possible to use the control value M_1 :

$$M_1 = L - S - \frac{D_i}{8}$$

Where:

- L = Flow meter length according to the table of Fig. 63a;
- D_i = Internal pipe diameter;
- S = Thickness of the pipe, including possible coating.

EN

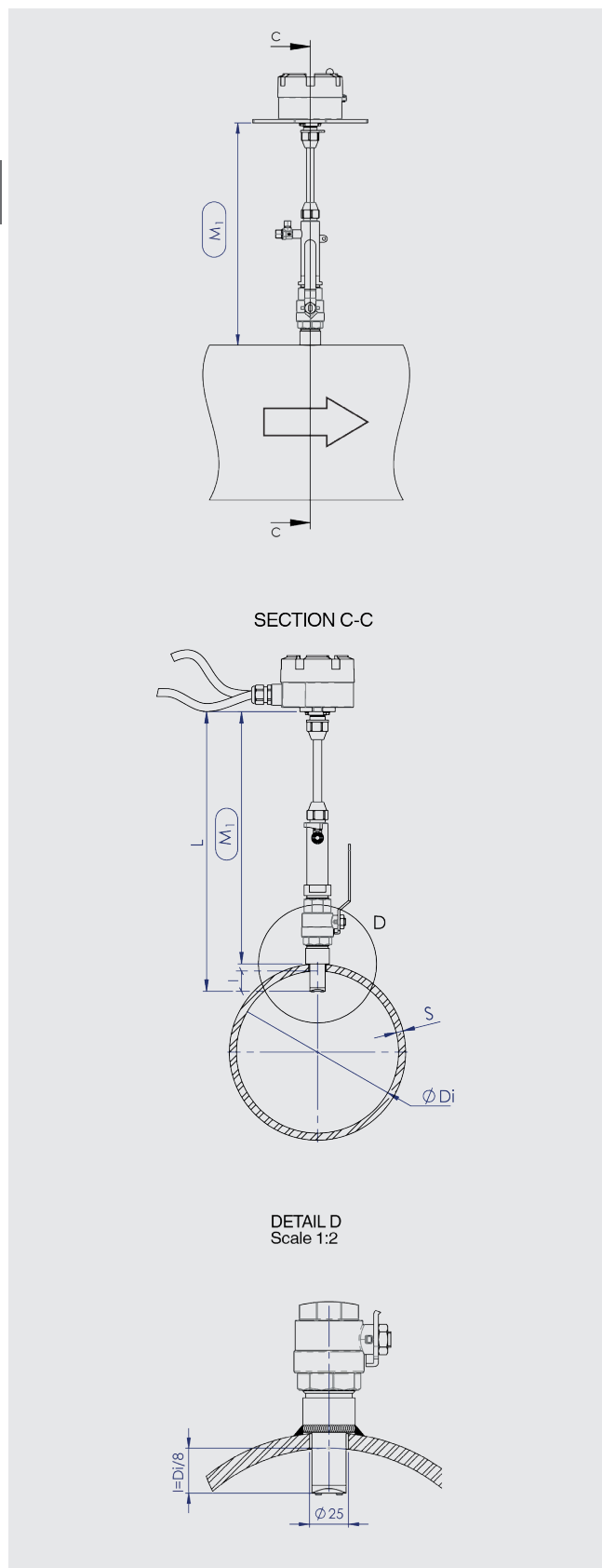


Fig. 64

7. Insertion meters

7.3.3 Installation of the sensor

7.3.3.1 Preparation of the pipe



ATTENTION!

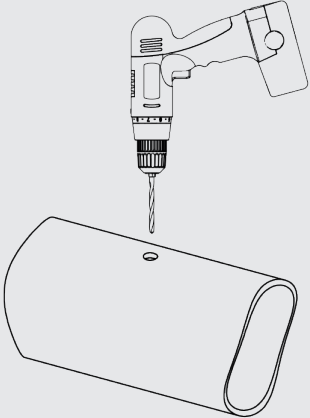
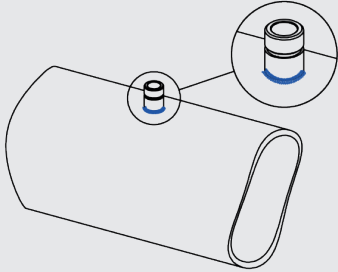
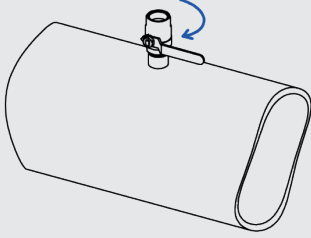
The preparation of the pipe can be carried out even on pressurized lines by using special machinery. Aside from the fact that this operation requires the use of special equipment, it is also



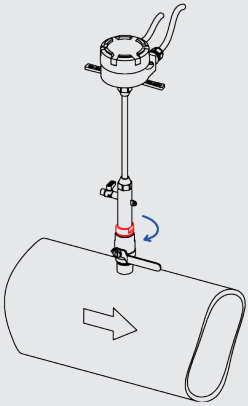
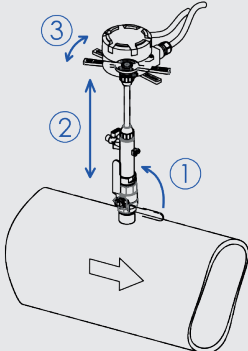
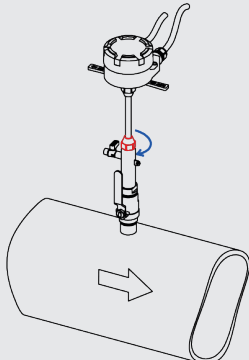
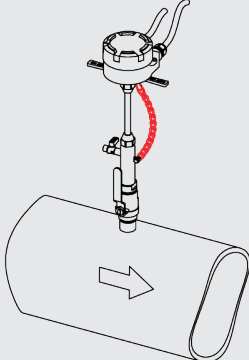
ATTENTION!

Before inserting the sensor, check that the insertion hole is free from obstruction and/or burrs caused by preparation work because it could damage the device.

EN

Fig. 65	Fig. 66	Fig. 67
		
<p>Drill the pipe at the installation point. The diameter of the hole must be $\varnothing 25 \pm 1$ mm.</p>	<p>Weld the threaded sleeve, paying the utmost attention to its correct orientation. The axis of the sleeve must intersect the axis of the pipe and be perpendicular to it.</p>	<p>Install the valve, use PTFE tape to ensure the tightness of the thread. Close the valve and pressurize the pipe if necessary.</p>

7.3.3.2 Assembly of the flow meter

Fig. 68	Fig. 69	Fig. 70	Fig. 71
			
<p>Install the insertion meter, making sure that the stem is completely retracted to prevent the head with the electrodes from hitting the valve. Use PTFE tape to ensure the tightness of the thread.</p>	<ol style="list-style-type: none"> 1. Open the valve completely. 2. Adjust the insertion depth. 3. Adjust the alignment in relation to the pipe axis. The alignment precision must be within $\pm 2^\circ$. 	<p>Tighten the lock nut by applying a tightening torque of 40 Nm (30 ft-lb).</p>	<p>Connect the safety chain by adjusting its length.</p>

7. Insertion meters

7.3.4 Installation on non-metallic pipes using a saddle bracket

There are different types of saddle brackets available on the market that can be applied in pipes of different diameters. If an installation of this type is required, follow the instructions below.



NOTE

The maximum application diameter for each sensor size could be reduced due to the different height between the pipe and the valve.

EN

Fig. 72	Fig. 73	Fig. 74
<p>Assemble the saddle bracket at the point of installation. Drill the pipe using the sleeve as a centering jig. The diameter of the hole must be $\text{Ø } 25 \pm 1 \text{ mm}$.</p>	<p>If the saddle is equipped with a female thread, fit the valve using a 1" male X male nipple, otherwise set the valve directly on the saddle bracket. Use PTFE tape to ensure the tightness of the thread.</p>	<p>Install the meter following the normal assembly instructions.</p>

7.3.5 Flow meter grounding

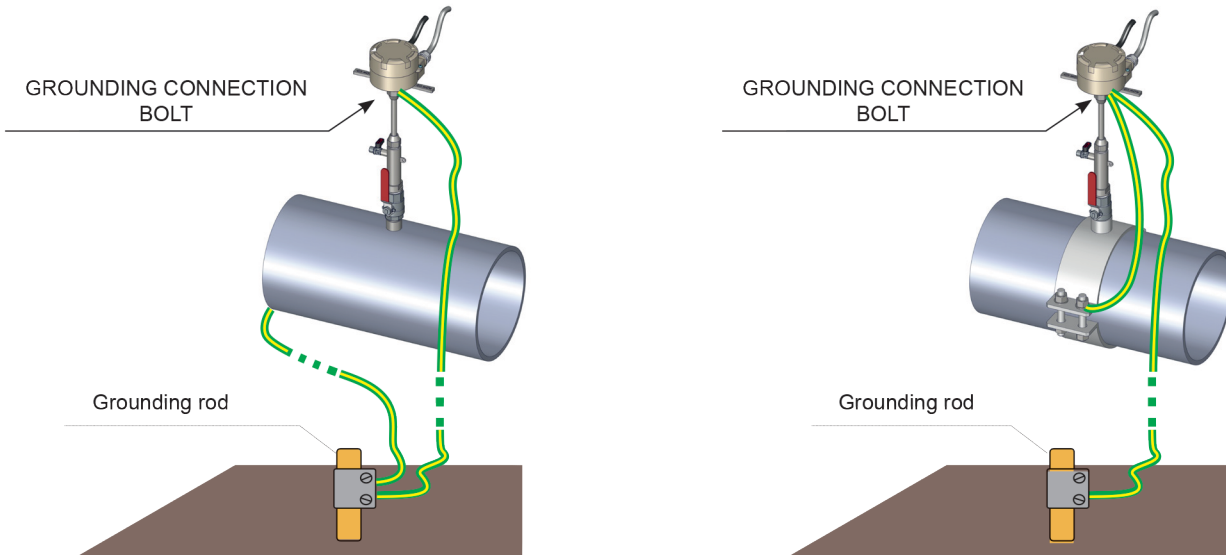


Fig. 75: FLC-1222 grounding

7. Insertion meters

7.4 FLC-2660

7.4.1 Dimensions and main features

The FLC-2660 sensor is suitable for fixed installation in pipes from DN80 up to DN500.

The installation and assembly/disassembly of the flow meter requires a 40 mm hole drilling on the pipe and a threaded sleeve welding.



ATTENTION!

For installation, assembly, and disassembly of the meter, the pipe must be empty - the sensor does not have Hot-Tap functionality.

The maximum pressure at which the meter can operate is 10 bar.

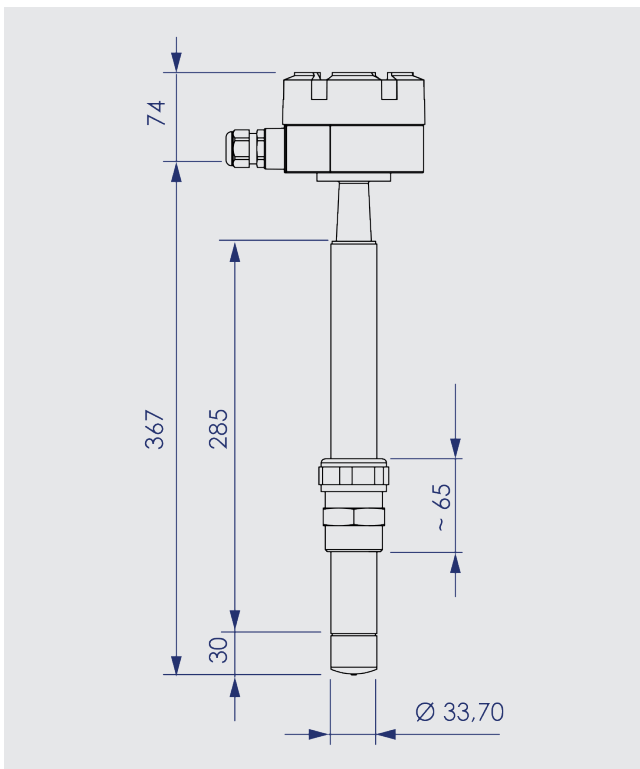


Fig. 76a: FLC-2660 dimensions

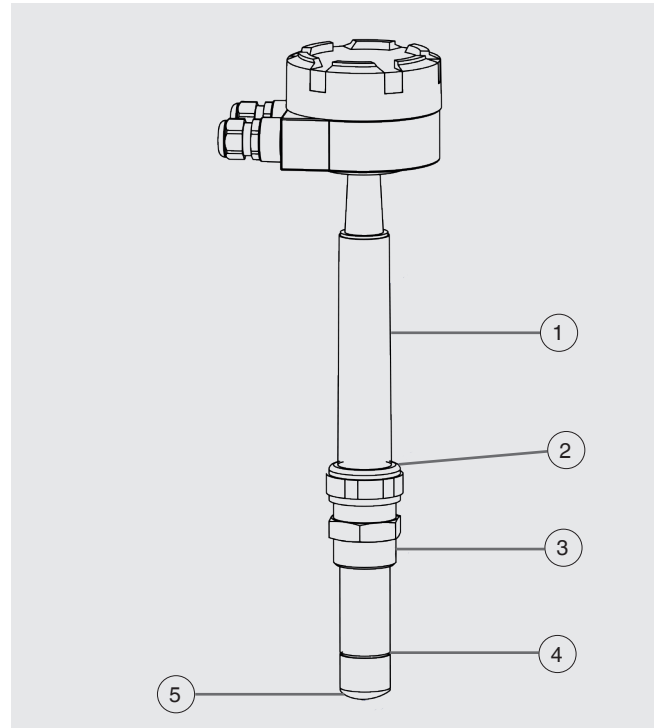


Fig. 76b: FLC-2660 features

- ① Sensor body
- ② Locking ring
- ③ 1" 1/4 threaded nipple GAS/BSP
- ④ Safety ring
- ⑤ Probe/Measuring head

Main features

DN Range	DN80 - DN500 3" - 20"
Maximum pressure	10 bar
Temperature limits (process)	-20 °C ÷ +80 °C -4 °F ÷ +176 °F
Protection class - Separate	IP68
ATEX/IECEx (only Separate)	Ex mb IIC T6...T4 Gb Ex mb IIIC T85 °C...T135 °C Db -20 °C ≤ Ta ≤ +60 °C

Wetted materials

Sensor body	SS316
Measuring head	POM
Electrodes	SS316L
Safety ring	SS304
Sensor body	Brass
O-Ring	NBR

7. Insertion meters

7.4.2 Calculation of the insertion depth

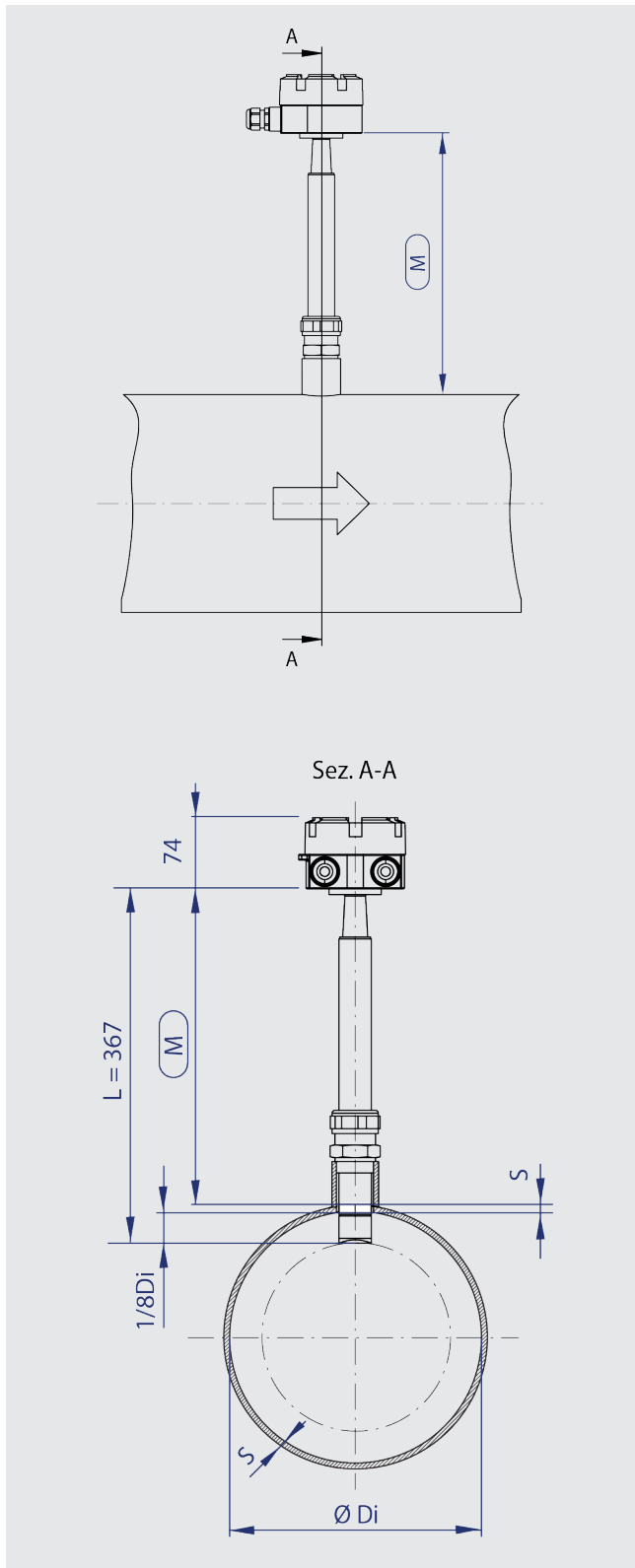


Fig. 77

The insertion depth I can be determined using the following formula:

$$I = \frac{D_i}{8}$$

In order to precisely set the insertion depth, it is possible to use the control value M :

$$M = L - S - \frac{D_i}{8}$$

Where:

- L = Flow meter length = 367 mm;
- D_i = Internal pipe diameter;
- S = Thickness of the pipe, including possible coating.

7. Insertion meters

7.4.3 Installation of the sensor



ATTENTION!

The sensor is equipped with a safety device (consisting of a stop ring) designed to prevent the pressure from leaking out of the sensor in case the locking ring accidentally unscrews. Do not, under any circumstances, remove this

safety device. The safety device prevents the sensor from coming out of its seat, but not from its moving, which can be sudden and potentially dangerous in the case of high line pressure.



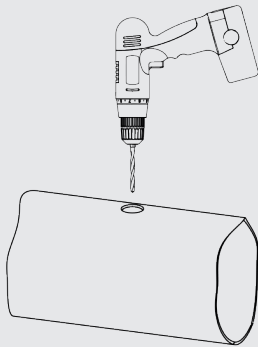
ATTENTION!

The installation, assembly, and disassembly must be done when the pipe is empty.

EN

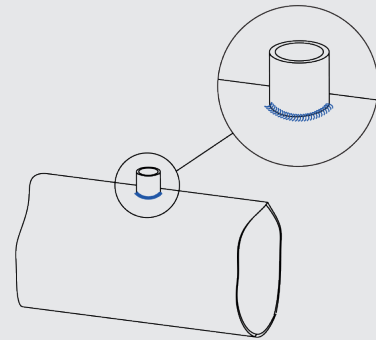
7.4.3.1 Preparation of the pipe

Fig. 78



Drill in the installation position. The hole must have a minimum diameter of $\varnothing 40$ mm in order not to interfere with the sensor head.

Fig. 79



Weld a 1"1/4 GAS threaded sleeve to the pipe, centering it correctly on the hole.

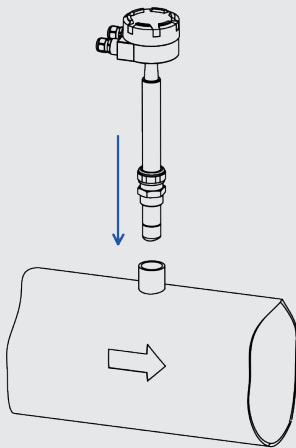
7.4.3.2 Installation of the flow meter



ATTENTION!

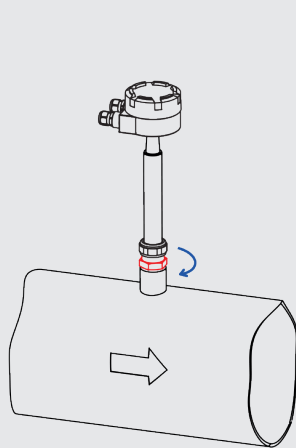
Before inserting the sensor, check that the insertion hole is free from obstruction and/or burrs caused by preparation work because it could damage the device.

Fig. 80



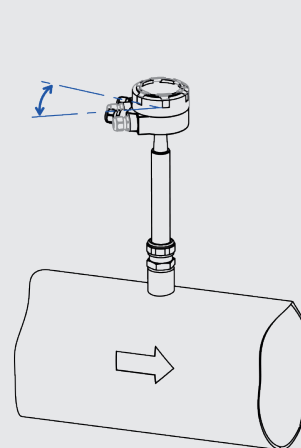
Insert the sensor into the threaded sleeve, taking care not to damage the measuring head.

Fig. 81



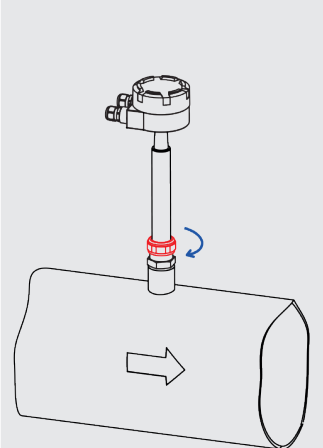
Tighten the nipple on the sleeve. Use the PTFE tape to ensure water tightness.

Fig. 82



Adjust the alignment of the sensor in relation to the pipe (with an accuracy of $\pm 2^\circ$) and the insertion depth.

Fig. 83



Tighten the upper ring nut of the nipple to lock the sensor in place.

7. Insertion meters

7.4.4 Flow meter grounding

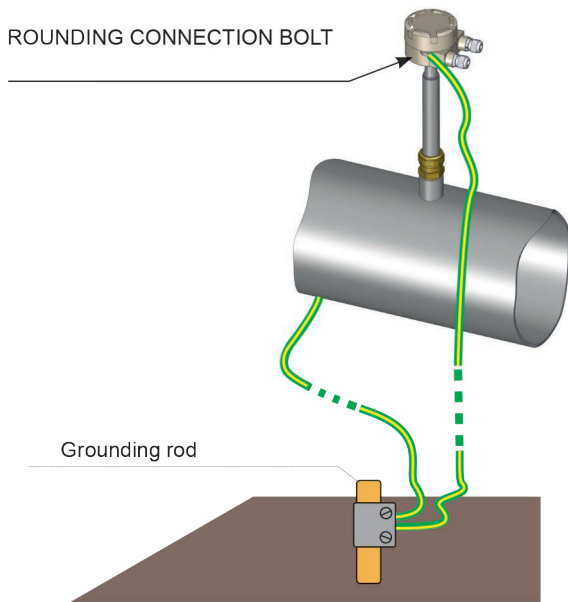


Fig. 84: FLC-2660 grounding

7.5 FLC-2770

7.5.1 Dimensions and main features

The FLC-2770 sensor is suitable for fixed installation in medium-large diameter pipes. It can be supplied in different sizes depending on the size of the pipe in which it will be installed, starting from a minimum of DN100 up to DN2500. The installation and assembly/disassembly of this meter requires a 50 mm hole drilling on the pipe and a flanged sleeve welding.



ATTENTION!

For installation, assembly, and disassembly of the meter, the pipe must be empty - the sensor does not have Hot-Tap functionality.

The maximum pressure at which the meter can operate is 25 bar.

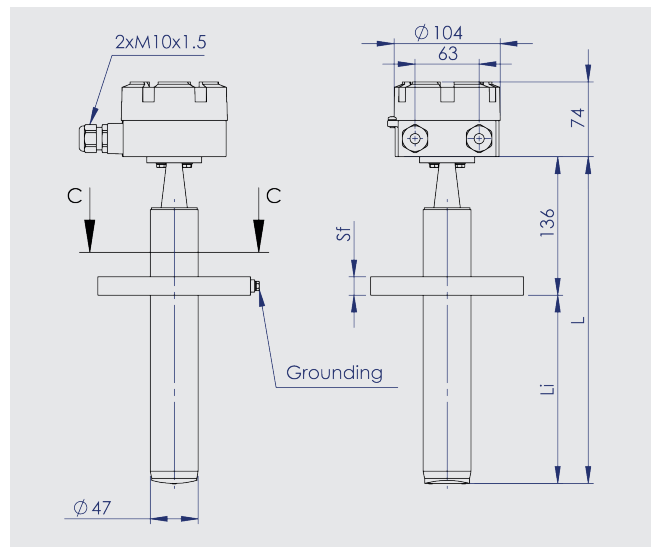
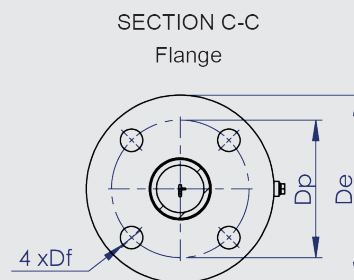


Fig. 85: FLC-2770 dimensions and features

Flange dimensions



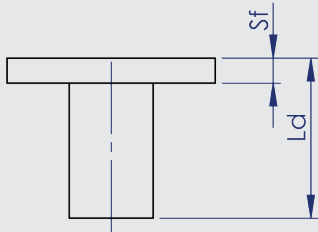
	UNI - EN1092	ANSI150
Dp	110	98.4
De	150	125
Df	18	16
Sf	18	20

7. Insertion meters



NOTE
The supply of the flow meter includes a flanged sleeve that has to be installed on the pipe after cutting it to the right size.

Mounting sleeve



Size	DN Range	L	L _i	L _d
A	100...500	251	115	115
B	600...1100	321	185	115
C	1200...1600	400	264	115
D	1700...2100	466	330	115
E	2200...2500	555	419	141

The insertion depth **I** can be determined using the following formula:

$$I = \frac{D_i}{8}$$

In order to precisely set the insertion depth, it is possible to use the control value **M**:

$$M = L_i - S - \frac{D_i}{8}$$

- Where:
- **L_i** = Sub-flange length of the flow meter;
 - **D_i** = Internal pipe diameter;
 - **S** = Thickness of the pipe, including possible coating.

EN

7.5.2 Calculation of the insertion depth

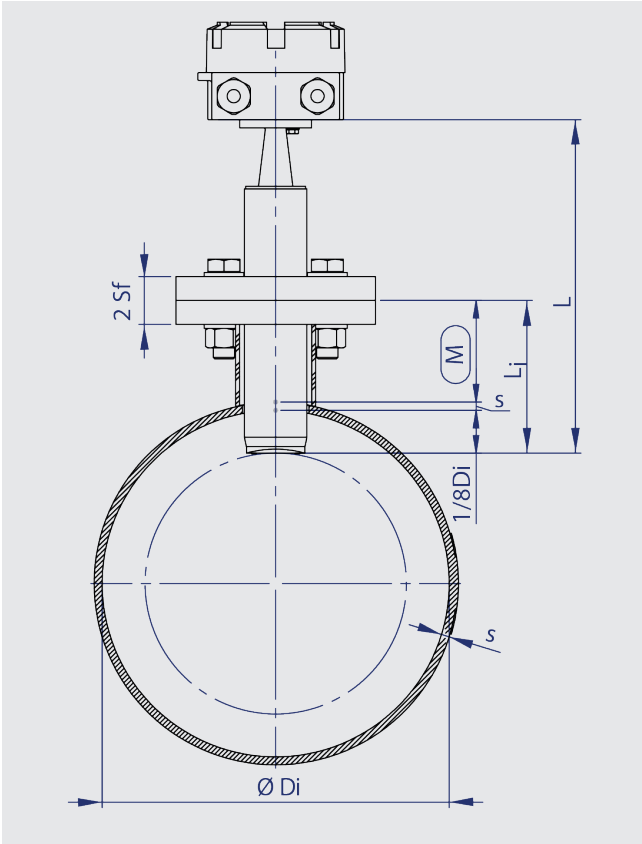


Fig. 86

81500987.02 08/2023 EN

7. Insertion meters

7.5.3 Installation of the sensor



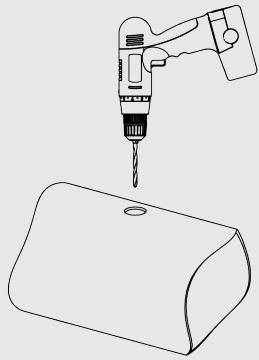
ATTENTION!

For installation, assembly, and disassembly of the meter, the pipe must be empty.

EN

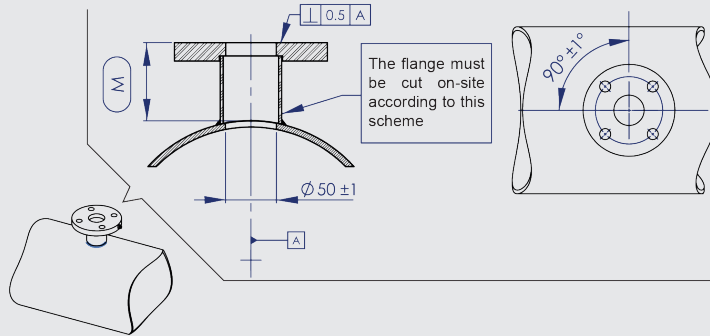
7.5.3.1 Preparation of the pipe

Fig. 87



Drill in the installation position.
The diameter of the pipe must be $\varnothing 50$ mm.

Fig. 88



Prepare the flanged sleeve for assembly by cutting it to length **M** and weld it to the pipe, taking into consideration the following:

- The perpendicularity of the sleeve axis in relation to the pipe axis;
- The rotation of the sleeve flange in relation to the pipe axis;
- Respect the fluid direction indicated by the arrow to get a correct reading.

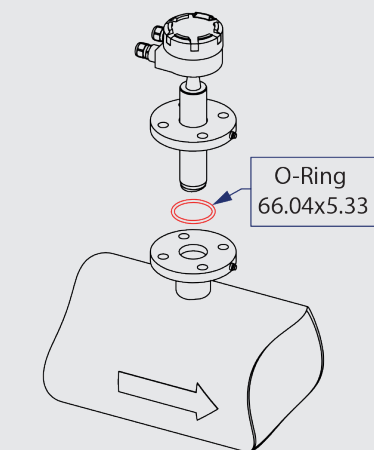
7.5.3.2 Installation of the flow meter



ATTENTION!

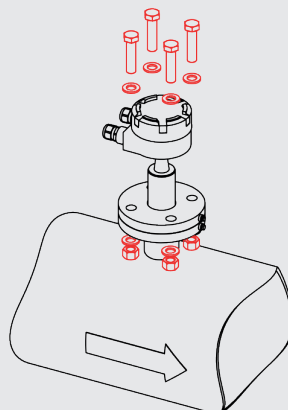
Before inserting the sensor, check that the insertion hole is free from obstruction and/or burrs caused by preparation work because it could damage the device.

Fig. 89



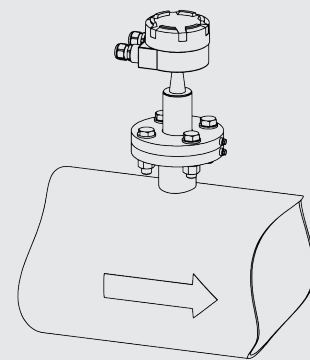
Insert the O-Ring gasket in the sensor stem.
Insert the sensor in the flanged sleeve, aligning the holes.

Fig. 90



Insert the fixing bolts to secure the sensor flange to the flanged sleeve attached to the pipe.

Fig. 91



Tighten the bolts to block the position of the sensor.

7.5.4 Flow meter grounding

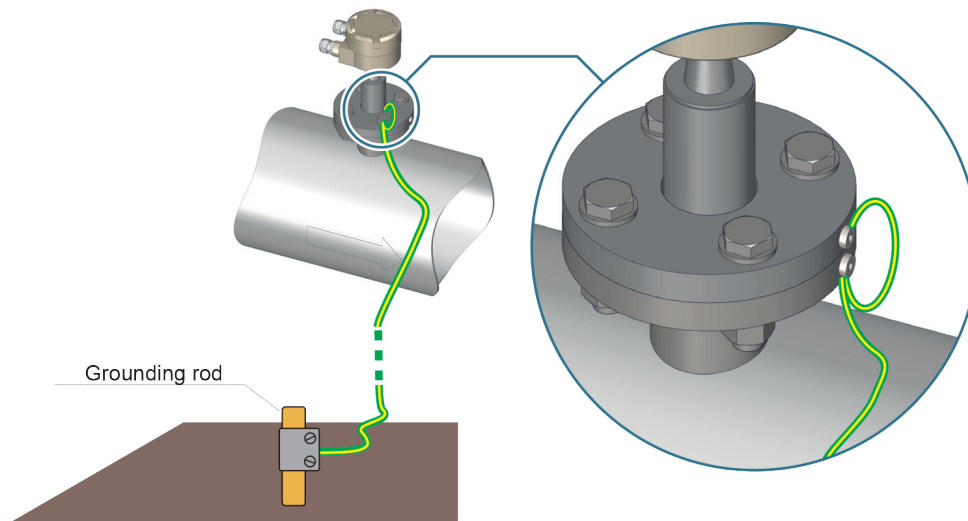


Fig. 92: Grounding

8. Maintenance

8.1 Bolts tightening

Periodically check the tightness of all the fixing nuts. If necessary, ensure correct tightening by applying the tightening torques shown in the table in paragraph 3.5.3.

8.2 Grounding check

Periodically check the earth connections, especially the integrity of the cables and terminals and remove any oxidation from the contacts.

8.3 Cleaning of the ebonite coatings

Cleaning and degreasing organic coatings is a delicate matter. In the case of ebonite-coated Euromisure flow

meters, please avoid any acid solution containing HF (hydrofluoric acid) in any concentration.

The basic solution, such as NaOH, can be used, but only at room temperature. Normal soap is recommended for removing grease and oil.

If cleaning with soap is not sufficient, washing with a solvent can also be carried out, using products which evaporate rapidly, for example, acetone. In this case, the dirt must be removed with a cloth moistened with acetone, an operation that must be done quickly to avoid aggression on the Ebonite, and immediately afterward, the surface must be dried with a blow of air to allow the solvent evaporation.

9. Troubleshooting

For the Troubleshooting section (Problems / Causes / Solutions), please refer to the instruction manual of the converter associated with the specific sensor.

10. Certifications and Technical Features

Please refer to the sensor and converter catalogs to see the list of the certifications and all the technical features related to your product.

EN

11. Return goods

The device was manufactured with extreme care and passed rigorous tests before shipment from the factory.

If the installation and maintenance are carried out correctly, it is very unlikely that malfunction will occur.

However, if it should be necessary to send the device to our customer service for any checks or repairs, please pay attention to the following points:

- According to the legal provisions on environmental protection and securing the health and safety of our personnel, the manufacturer can only test and repair those devices returned to us that have been in contact with products that are risk-free for personnel and environment.

- This means that the manufacturer can perform the service on the device only if this is accompanied by the "repair request form", stating that the device itself can be safely handled.

11.1 Repair Request Form

The "repair request" form must be downloaded (www.wika.com), printed, filled in and attached to the device that needs to be checked/repared by our customer service.

12. Product disposal

Disposal of the device no longer in use is the responsibility of the user, who must comply with the specific laws enforced in the country of installation regarding environmental protection.

12.1 Manufacturer's statement

The manufacturer declares that the design, development, and construction of the CONVERTER have been carried out in compliance with the directive on the reduction of the use of dangerous substances with particular attention to waste electrical and electronic equipment (WEEE) supporting, from an environmental point of view and the protection of the health of the worker, the intervention of the subjects who participate in the installation, use, and disposal of their products (manufacturer, distributors, consumers, operators involved in WEEE treatment).

The crossed-out wheelee bin symbol (Fig. 93) contained on the equipment indicates that the product must be collected separately from other waste at the end of its useful life. Therefore, the user must give the equipment at the end of its life to the appropriate waste collection centers for waste electrical and electronic equipment, or return it to the retailer when purchasing a new equivalent type of equipment on a one-for-one basis.

Appropriate sorted waste collection for the next start-up of the disused equipment for recycling, treatment, and environmentally compatible disposal contributes to avoiding possible negative effects on the environment and favors the reuse and/or recycling of the materials of construction. Unauthorized disposal of the product by the user results in the application of the administrative sanctions provided for by applicable law.



Fig. 93: Crossed-out wheelee bin symbol

For WIKA branches worldwide, visit our website www.wika.com



ICS Schneider Messtechnik GmbH
Briesestrasse 59
D-16562 Hohen Neuendorf / OT Bergfelde
Tel.: +49 3303 5040-66
Fax: +49 3303 5040-68
E-Mail: info@ics-schneider.de



Euromisure s.a.s di WIKAL Italia S.r.l
via Borghisani 4
26035 Pieve San Giacomo (CR) - Italy
Telefon (+39) 0375 6404
E-Mail salesflow.it@wika.com
www.wika.com